

### FEATURES

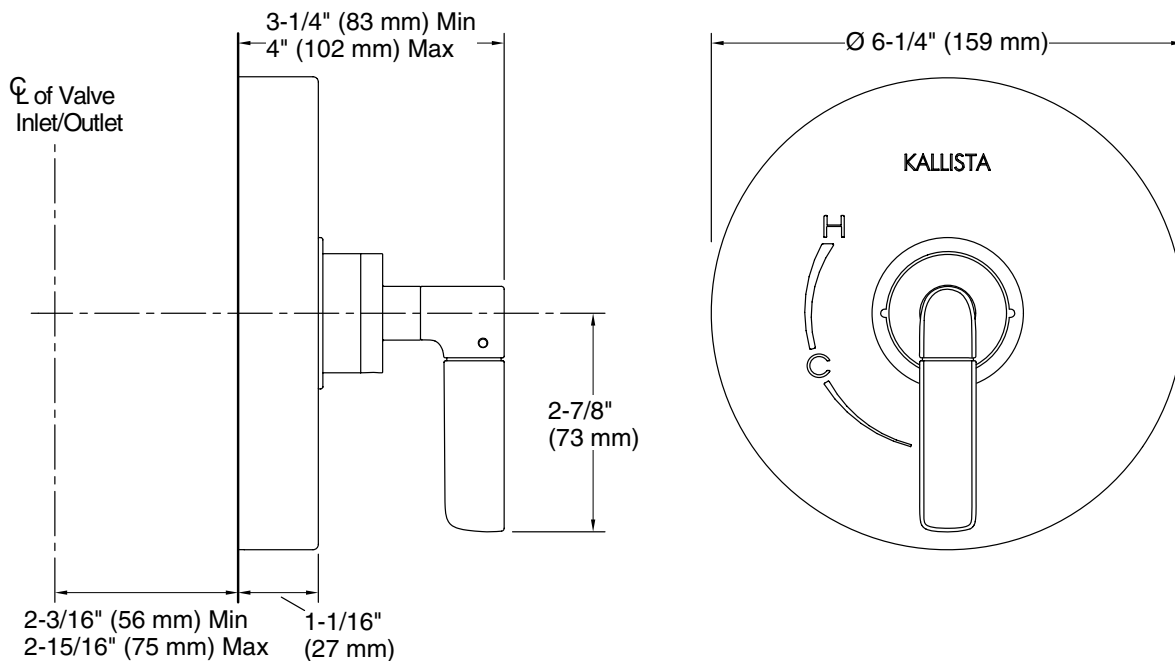
- Brass construction for durability and reliability
- Pressure-balancing technology maintains water temperature within +/-3 degrees Fahrenheit
- High-temperature limit stop helps eliminate scalding
- Compliments transitional and contemporary designs as well as the One™ collection
- For project/hospitality specifications only

### CODES/STANDARDS APPLICABLE

Specified model meets or exceeds the following:

- ASME A112.18.1/CSA B125.
- ADA
- CSA B651
- OBC

# P23332



SPECIFIED MODEL		
Model	Description	Finishes
P23332-LV	One Nazaré Pressure Balance Trim	<input type="checkbox"/> CP Polished Chrome <input type="checkbox"/> SN Polished Nickel
Required Rough-In		
P19310-00	Pressure Balance Rough-in	<input type="checkbox"/> NA
P19310-WS	Pressure Balance Rough-in with Stops	<input type="checkbox"/> NA
P19310-US	Rough-In with Stops and PEX connections	<input type="checkbox"/> NA
P29306-WS	Pressure Balance High-Flow Rough-in	<input type="checkbox"/> NA
P29500-00	Pressure Balance Rough-in & Thermostatic Cartridge	<input type="checkbox"/> NA
P29500-WS	Pressure Balance Rough-in & Thermostatic Cartridge with Stops	<input type="checkbox"/> NA

We reserve the right to make revisions without notice in the design of products or in packaging unless this right has specifically been waived at the time the order is accepted.