

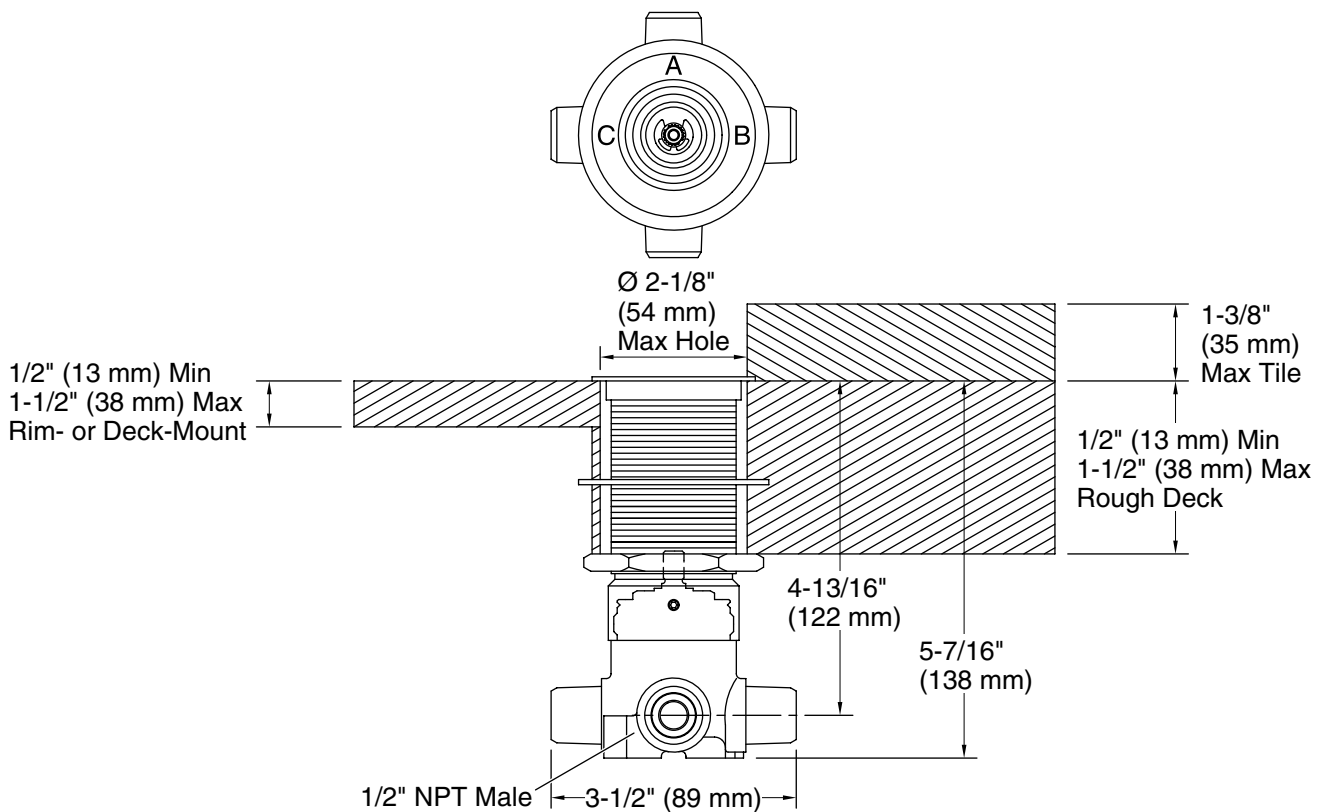
FEATURES

- Solid brass construction for durability and reliability
- Deck-mount installation
- Brass valve body
- Single-handle control
- One 1/2" NPT inlet connection
- Two 1/2" NPT outlet connections
- Selection of one or combination of two outlets
- 10 gpm (37.8 lpm) flow rate at 45 psi (310.3 kPa)
- Handle rotation of 90 degrees

CODES/STANDARDS APPLICABLE

- Specified model meets or exceeds the following:
- ASME A112.18.1/CSA B125.1

P20995



NOTES

The **B** port is capped and not functional.

SPECIFIED MODEL

Model	Description	Finishes
P20995-00	Deck Diverter Valve	<input type="checkbox"/> NA

We reserve the right to make revisions without notice in the design of products or in packaging unless this right has specifically been waived at the time the order is accepted.