

FEATURES

- Solid metal construction for durability and reliability
- Allows user to set precise temperature
- Patented K-joint installation ensures consistent trim appearance, regardless of variability in valve rough-in
- Complements the Klyne collection

CODES/STANDARDS APPLICABLE

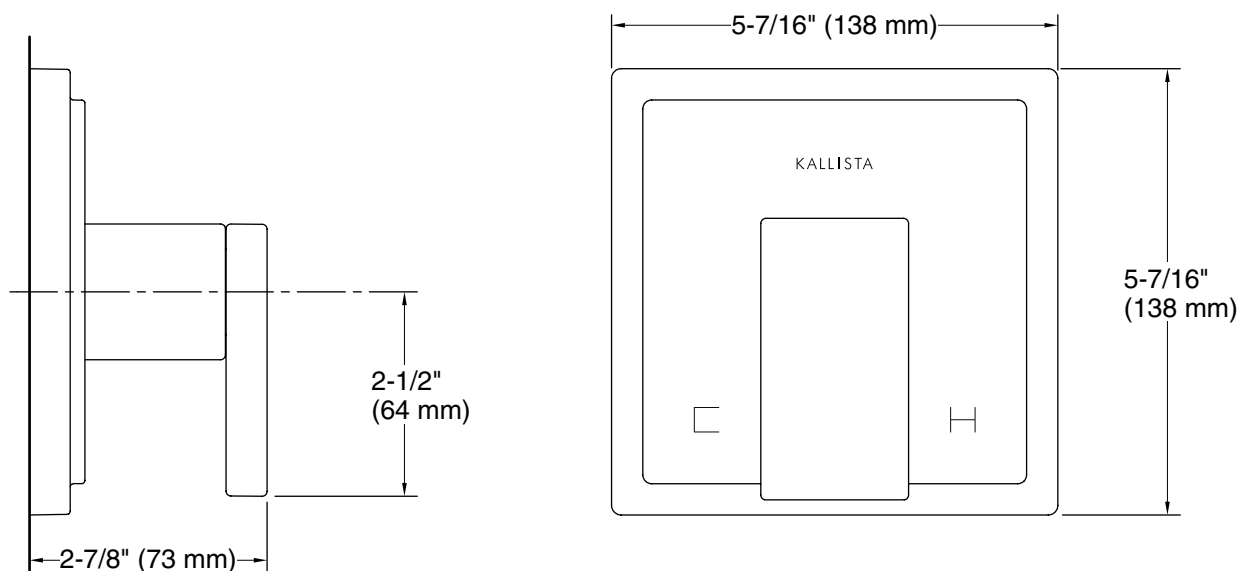
Specified model meets or exceeds the following:

- ASME A112.18.1/CSA B125.1
- ICC/ANSI A117.1
- ADA*
- OBC*
- CSA B651*

ADA **CSA B651** **OBC**

* Compliant when installed to the specific requirement of this regulation

P26012



SPECIFIED MODEL				
Model	Description	Finishes		
P26012-LV	Klyne Thermostatic Trim, Lever Handle	<input type="checkbox"/> CP Polished Chrome	<input type="checkbox"/> AD Nickel Silver	<input type="checkbox"/> BL Matte Black
Required Rough-in				
P29511-WS	1/2" Thermostatic Mixing Valve	<input type="checkbox"/> N/A		
P29512-WS	3/4" Thermostatic Mixing Valve	<input type="checkbox"/> N/A		

We reserve the right to make revisions without notice in the design of products or in packaging unless this right has specifically been waived at the time the order is accepted.