

FEATURES

- Two-handle, widespread lavatory faucet for 8" (203 mm) - 16" (406 mm) centers
- Metal construction for durability and reliability
- Includes drain
- 1.2 gal/min (4.5 l/min) maximum flow rate
- 6-15/16" spout reach
- Quarter-turn washerless ceramic disc valves
- Meets CalGreen requirements for lavatory faucets
- Complements the Klyne collection

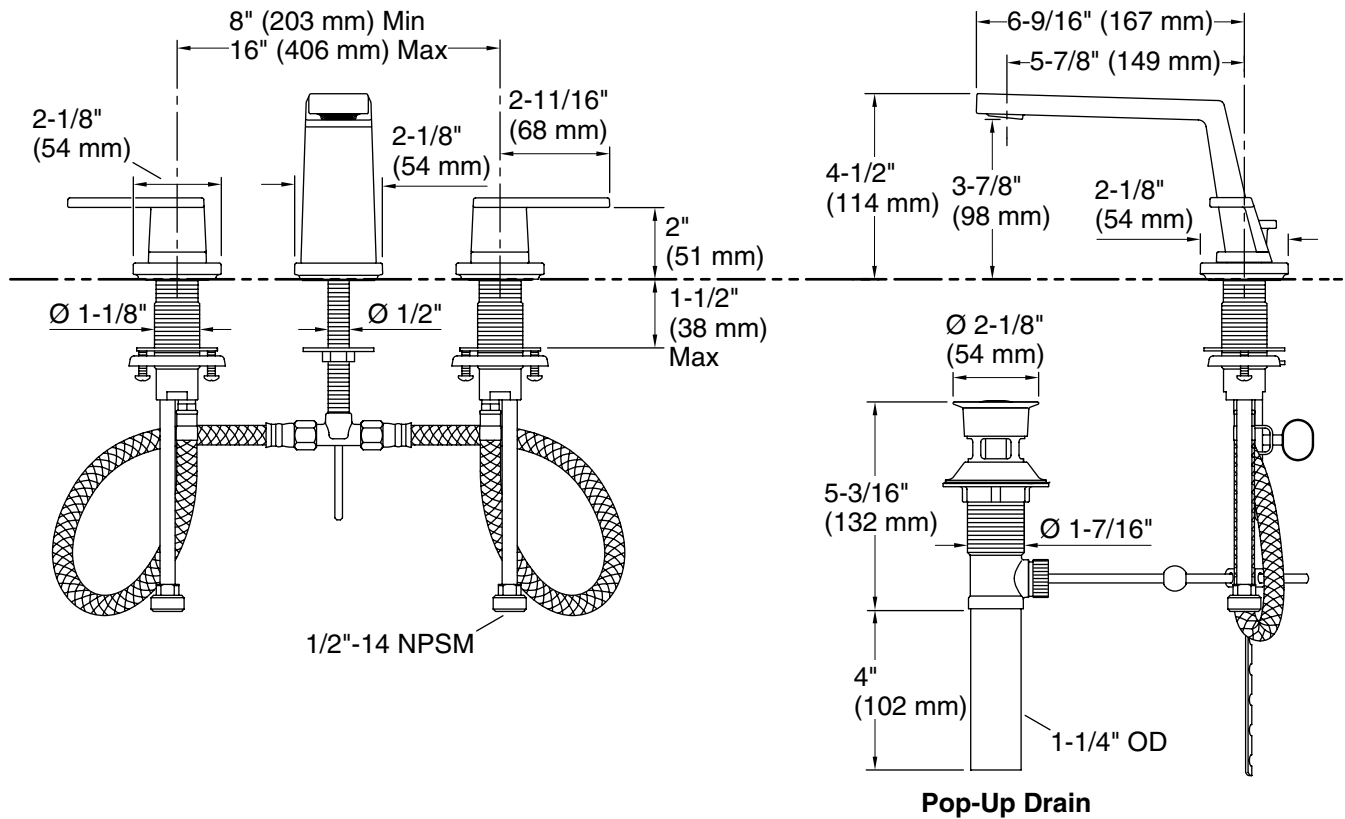
CODES/STANDARDS APPLICABLE

Specified model meets or exceeds the following:

- ADA*
- ASME A112.18.1/CSA B125.1
- CSA B651*
- EPA WaterSense®
- ICC/ANSI A117.1
- NSF 61
- OBC*
- All applicable US Federal and State material regulations
- California Energy Commission (CEC)
- DOE - Energy Policy Act 1992

* Compliant when installed to the specific requirement of this regulation

P26001



SPECIFIED MODEL

Model	Description	Finishes		
P26001-LV	Klyne Lavatory Sink Faucet, Pure Spout, Lever Handles	<input type="checkbox"/> CP Polished Chrome	<input type="checkbox"/> AD Nickel Silver	<input type="checkbox"/> BL Matte Black

We reserve the right to make revisions without notice in the design of products or in packaging unless this right has specifically been waived at the time the order is accepted.