

FEATURES

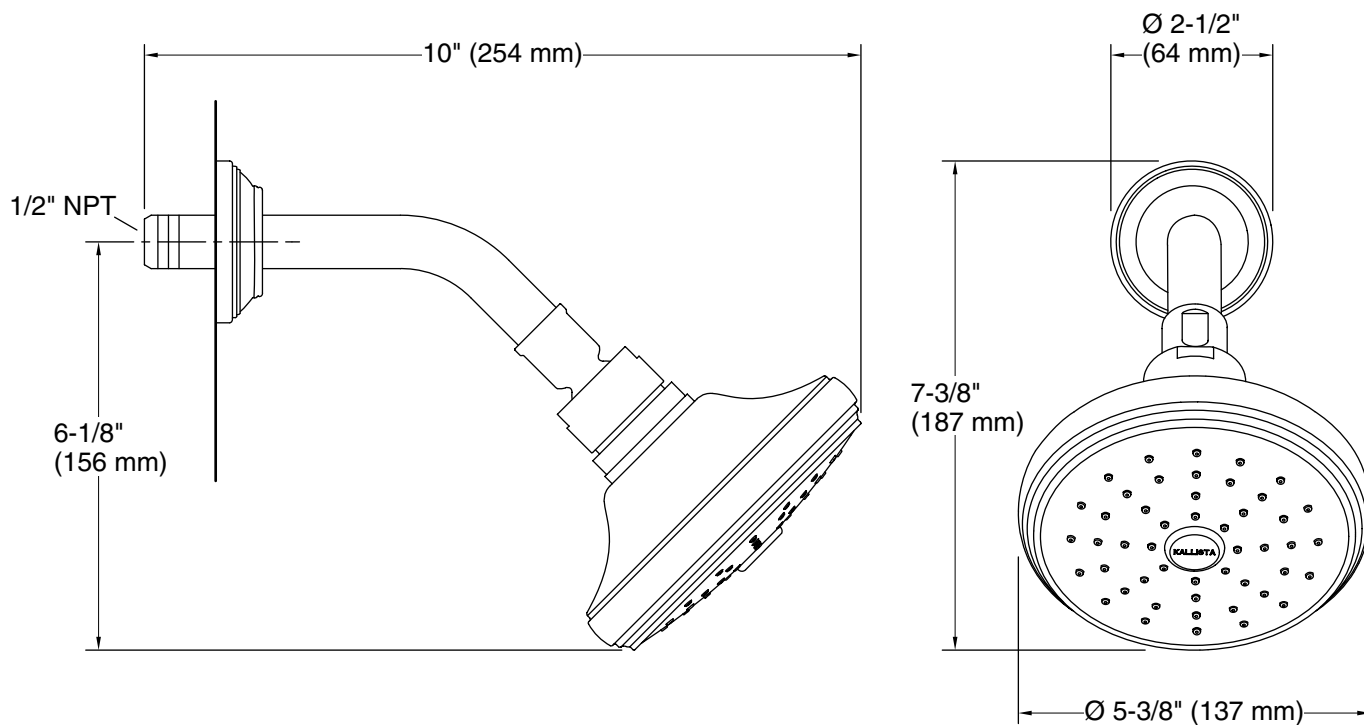
- Solid brass construction for durability and reliability
- Sprayface resists hard water build-up and is easy to clean
- 1.75 gal/min (6.6 l/min) flow rate
- Air-induction technology
- Complements the Inigo collection

CODES/STANDARDS APPLICABLE

Specified model meets or exceeds the following:

- ASME A112.18.1/CSA B125.1
- EPA WaterSense®

P23471



SPECIFIED MODEL

Model	Description	Finishes		
P23471-00	Inigo Air-Induction Showerhead with Arm	<input type="checkbox"/> CP Polished Chrome	<input type="checkbox"/> AD Nickel Silver	<input type="checkbox"/> W6 Weathered Bronze

We reserve the right to make revisions without notice in the design of products or in packaging unless this right has specifically been waived at the time the order is accepted.