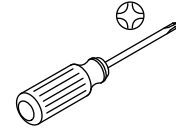
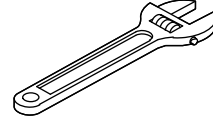


KALLISTA®

Installation Guide



Stainless (Non-Staining) Plumbers Putty

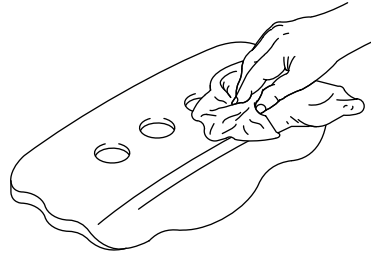


Sealant Tape

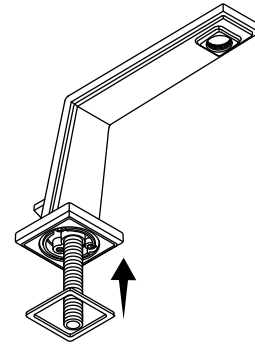
Record your model number below for future reference:
Observe all local plumbing and building codes.

Important Information
Do not use petroleum-based plumbers putty on marble or stone surfaces.

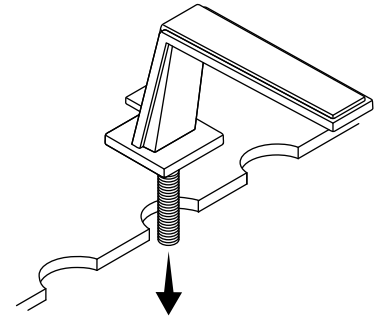
1 Clean the sink surface.



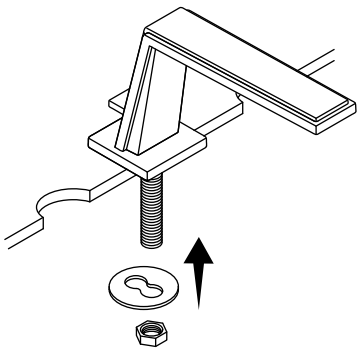
2 Install the gasket to the underside of the spout.



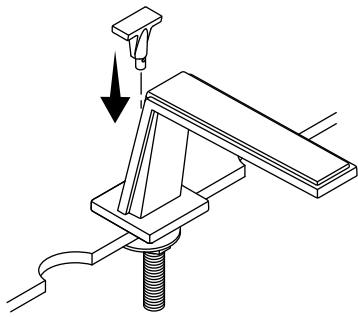
3 Insert the spout.



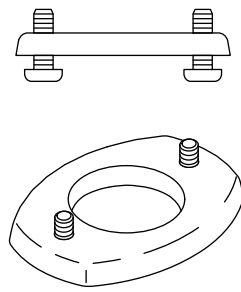
4 Slide the washer onto the shank. Secure with the nut.



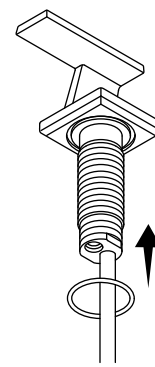
5 Install the lift rod.



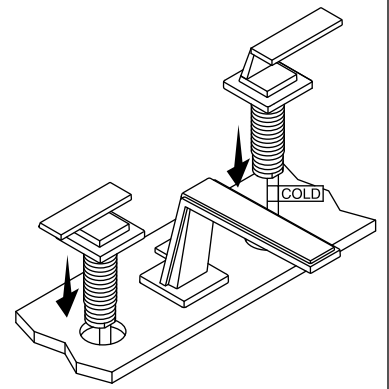
6 Partially thread the screws into the rings.



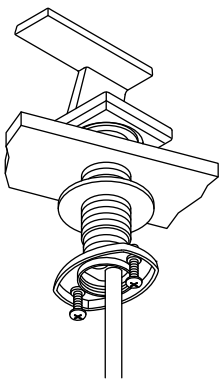
7 Ensure that the O-ring is installed to the underside of the handles.



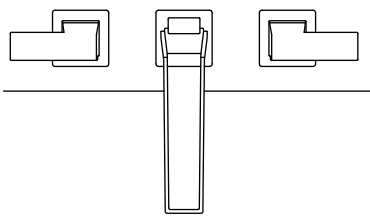
8 Insert the "COLD" handle on the right and the other handle on the left.



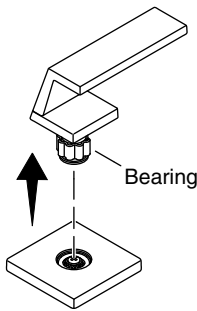
9 Loosely secure the handles with the washers and threaded rings.



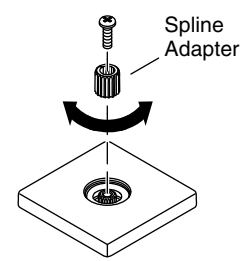
10 Turn the handles to the OFF position.



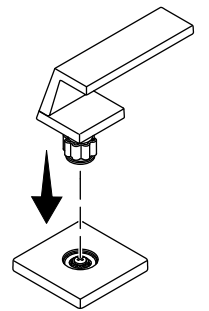
11 Handle Adjustment: Lift and remove the handle and bearing from the escutcheon.



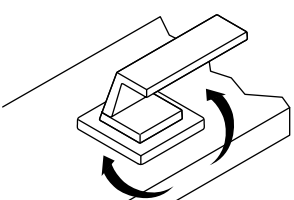
Remove the screw and reposition the spline adapter.



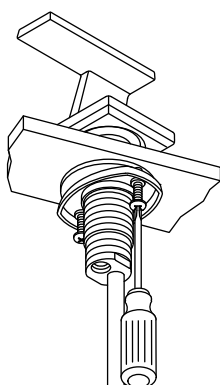
Reinstall the screw. Insert the handle until it engages with the spline adapter.



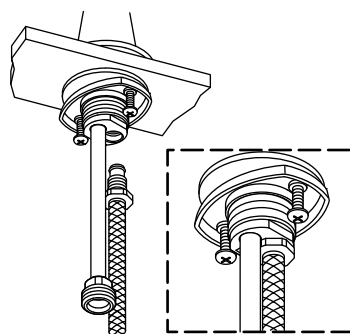
When the desired handle alignment is reached, push the handle down until it snaps into place.



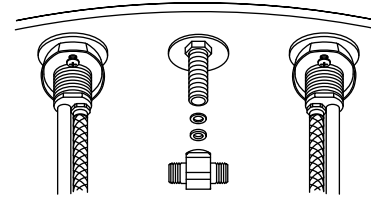
12 Position the screws to the front and back. Tighten to secure.



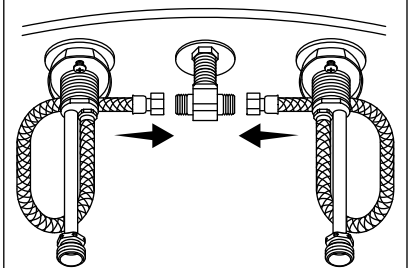
13 Connect the provided hoses to the valves.



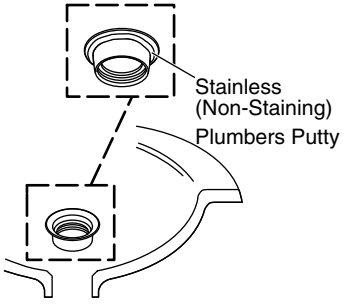
14 Insert the washer and gasket into the tee. Thread the tee onto the shank.



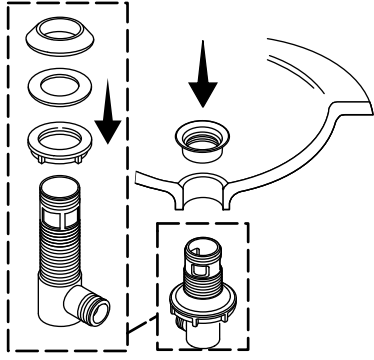
15 Connect the hoses to the tee.



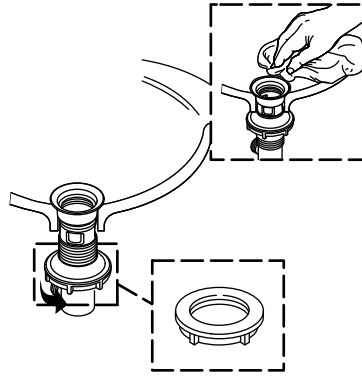
16 Remove the cover and apply plumbers putty to the drain flange.



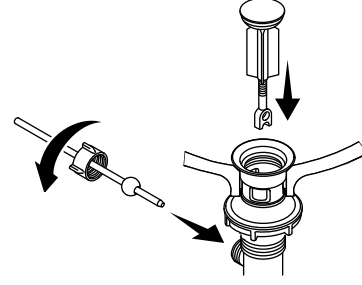
17 Assemble the drain. Install the flange.



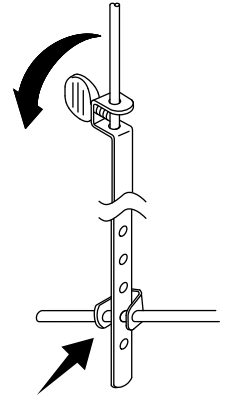
18 Tighten the nut. Remove excess sealant.



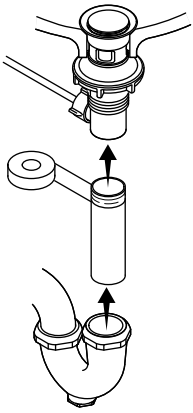
19 Insert the rod and tighten the nut. Insert the stopper. If needed, turn the stopper bolt to adjust the height.



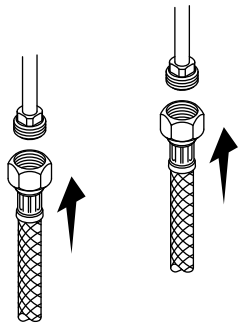
20 Connect the lift rod using the spring clip. Tighten the thumbscrew. Connect the trapway to the tailpiece.



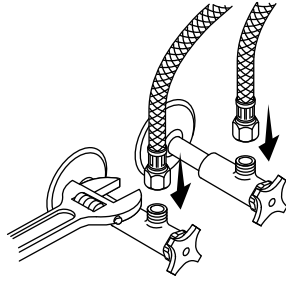
21 Apply thread sealant tape to the tailpiece and install.



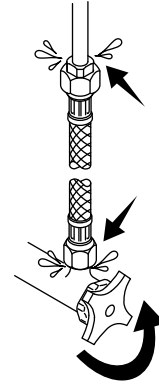
22 Connect the supply hoses to the valves.



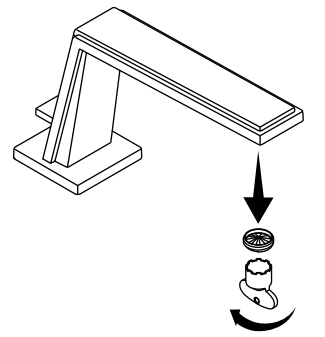
23 Connect the supply hoses to the supply stops.



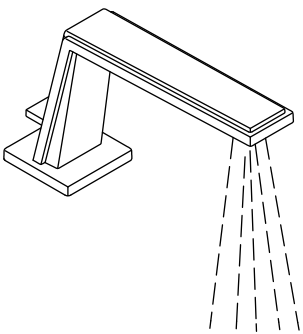
24 Turn on the water supplies. Check for leaks.



25 Remove the aerator.



26 Run water to flush debris.



27 Turn off the water. Install the aerator.

