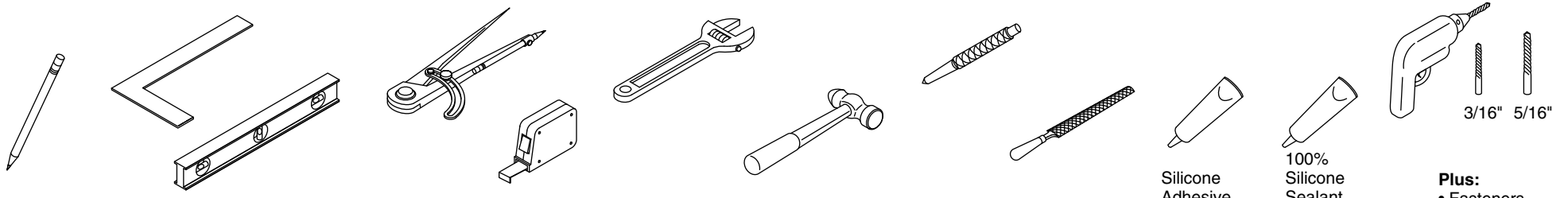


KALLISTA®

Installation Guide



Record your model number below for future reference:

CAUTION: Risk of personal injury.
Product can break, chip, and cause injury if handled carelessly. Get help lifting the lavatory.

Instructions are for installation to wood frame construction. For other installations, use bracing and fasteners of sufficient size and strength.

1 Install 2x6 backing behind the finished wall.

2 Mark the centerline on the floor and wall.

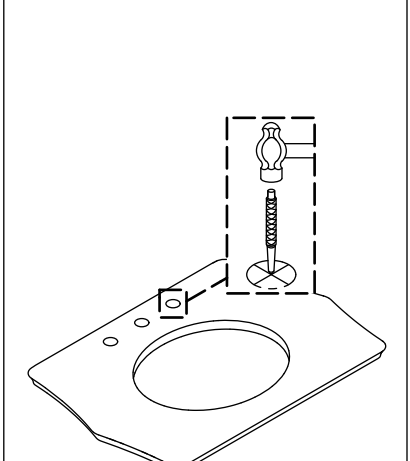
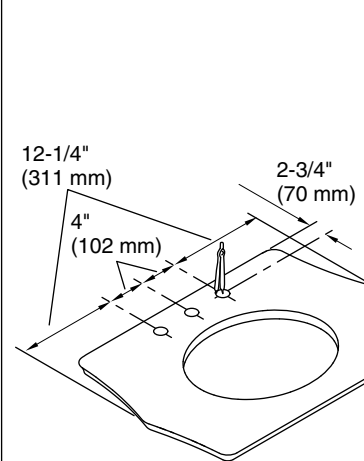
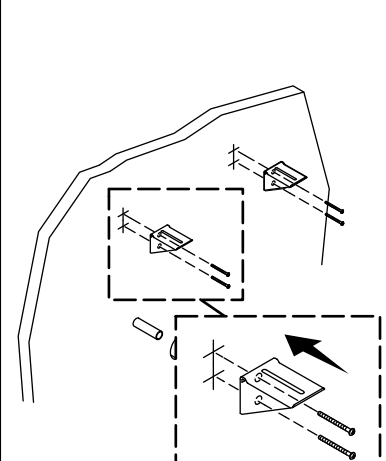
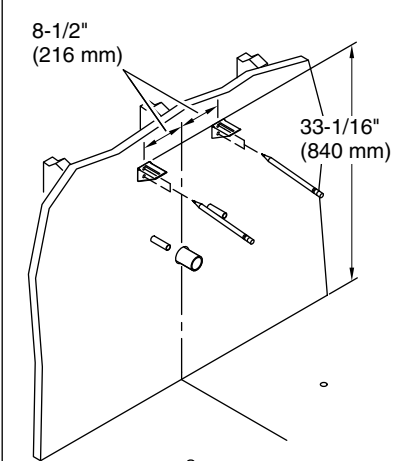
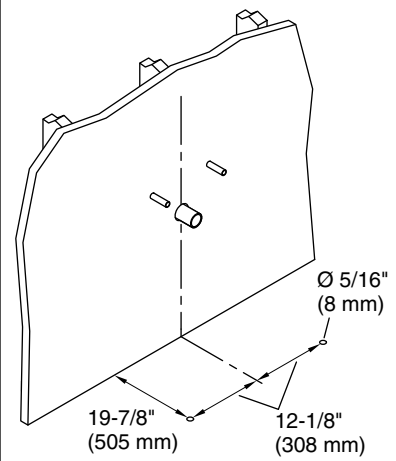
3 Mark the floor where shown, and drill two 5/16" (8 mm) holes 1/2" (13 mm) deep.

4 Position the tops of the brackets 33-1/16" from the finished floor. Mark the bracket holes on the wall.

5 Drill 3/16" pilot holes. Level and secure the mounting brackets with appropriate fasteners.

6 Using a compass, locate and draw an outline of the faucet holes on the top of the table.

7 On the top of the table, position a punch in the center of the marked hole. Gently tap the punch with a hammer.



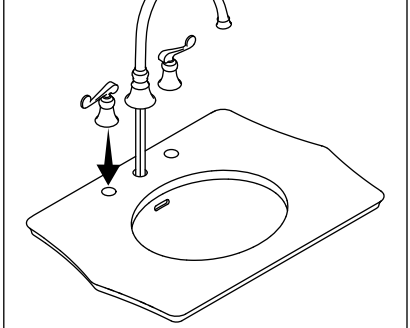
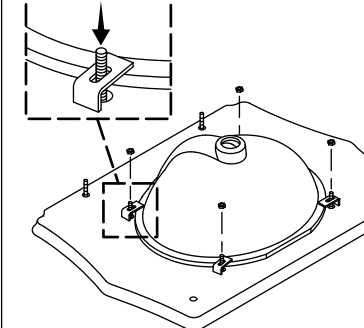
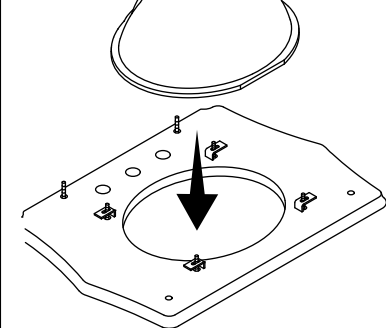
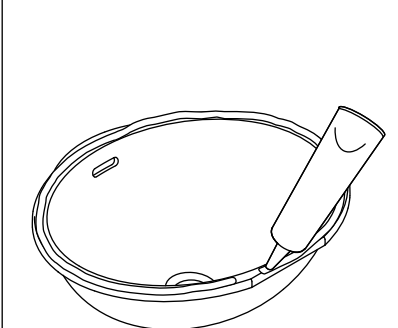
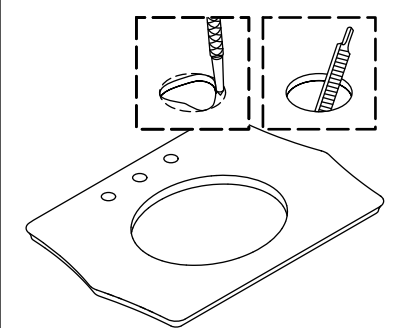
8 Use the punch and a file to enlarge the hole as needed.

9 Generously apply 100% silicone sealant around the rim of the sink.

10 Place the table upside down. Position the sink over the hole. Rotate the clips over the rim.

11 Rotate the clips over the rim. Tighten the fasteners and trim excess fastener length. Wipe away excess sealant.

12 Install the faucet.



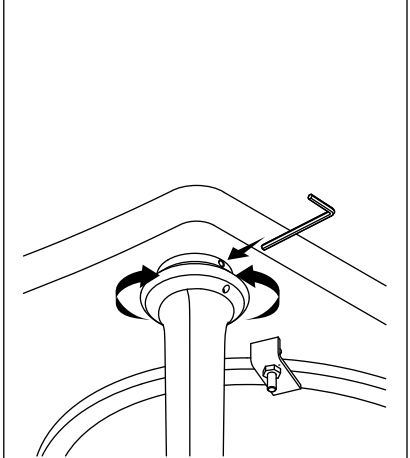
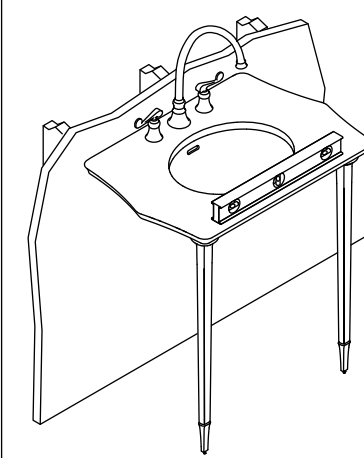
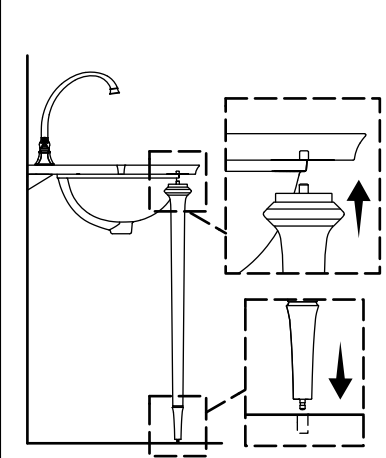
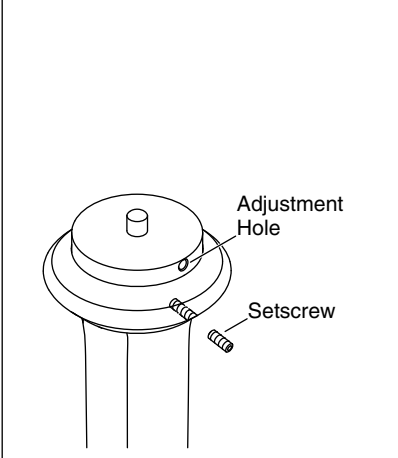
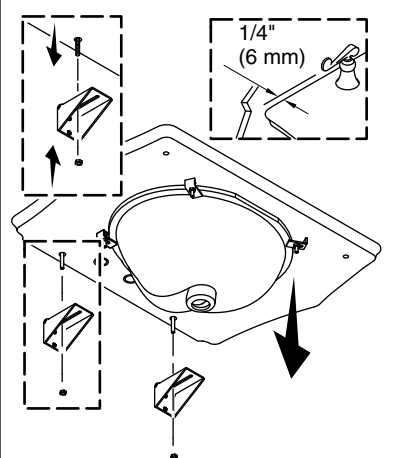
13 Attach the table to the support brackets. Provide a 1/4" (6 mm) gap between the wall and table and secure the table to the brackets.

14 Note the locations of the setscrew and adjustment holes on the legs.

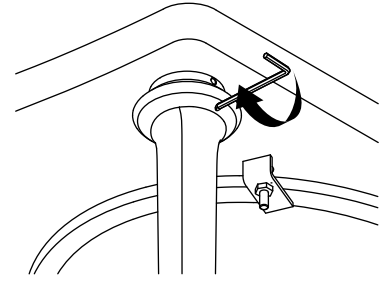
15 Insert the leg pins into the holes in the table and the floor. The setscrew holes should face the wall.

16 Check the table for level. Support the legs during adjustment.

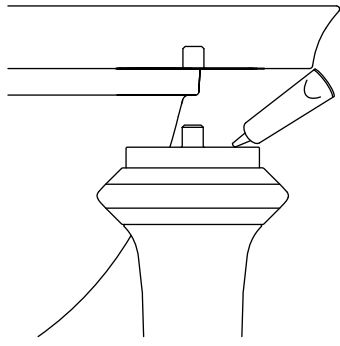
17 Rotate the adjustment pads to level the table.



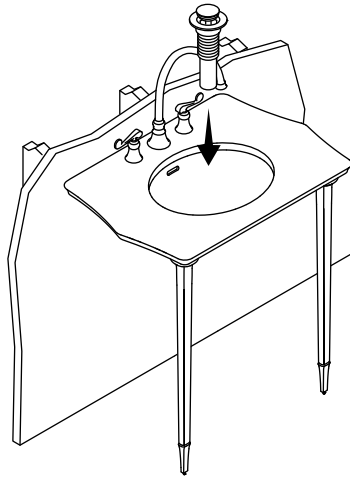
18 Tighten the setscrew.



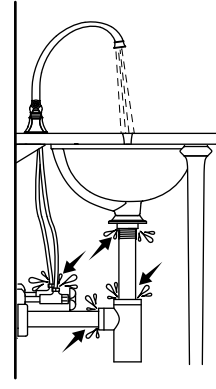
19 Apply silicone adhesive between the legs and the table.



20 Install the drain.



21 Make the final faucet and drain connections. Check for leaks.



Questions? Problems? For additional assistance, please contact KALLISTA's Customer Service Department at 1-888-4-KALLISTA (1-888-452-5547) or kallista.com.