

## FEATURES

- Solid brass construction for durability and reliability
- Two-handle, widespread sink faucet for 8" (203 mm) - 16" (406 mm) centers
- Available with Black Crystal or Clear Crystal Cross Handles
- Quarter-turn washerless ceramic disc valves
- Includes drain
- 1.2 gpm (4.5 lpm) maximum flow rate
- Meets CalGreens requirements for bathroom sink faucets
- Complements the For Town collection

## CODES/STANDARDS APPLICABLE

Specified model meets or exceeds the following:

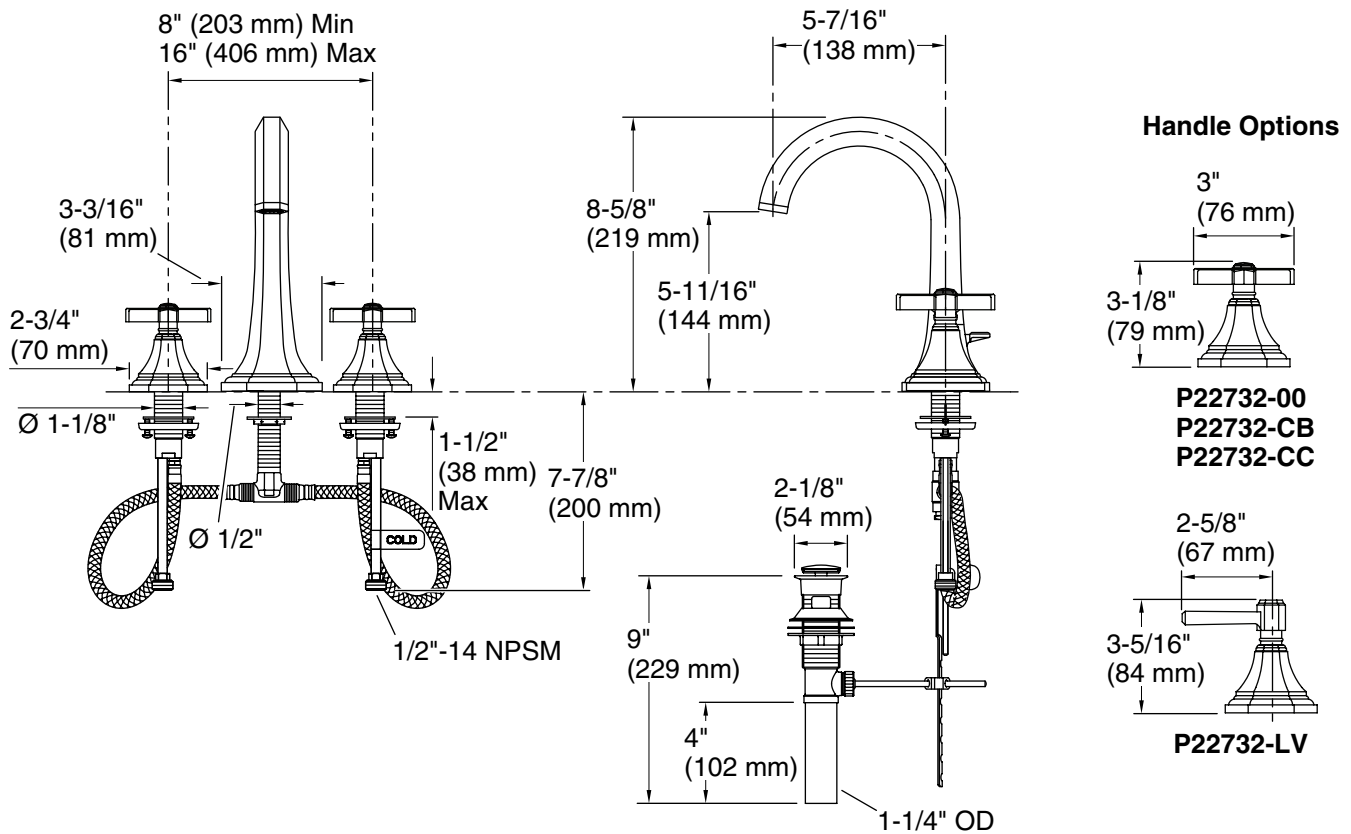
- ASME A112.18.1/CSA B125.1\*
- NSF 61
- ADA\*
- ICC/ANSI A117.1
- EPA WaterSense®
- OBC\* (Lever Only)
- All applicable US Federal and State material regulations

\*Compliant when installed to the specific requirement of this regulation

# P22732

ADA

OBC



SPECIFIED MODEL				
Model	Description	Finishes		
P22732-00	For Town Bathroom Sink Faucet, Tall Spout, Cross Handles	<input type="checkbox"/> CP Polished Chrome	<input type="checkbox"/> AD Nickel Silver	<input type="checkbox"/> AG Brushed Nickel
P22732-CB	For Town Bathroom Sink Faucet, Tall Spout, Black Crystal Cross Handles	<input type="checkbox"/> CP Polished Chrome	<input type="checkbox"/> AD Nickel Silver	<input type="checkbox"/> AG Brushed Nickel
P22732-CC	For Town Bathroom Sink Faucet, Tall Spout, Clear Crystal Cross Handles	<input type="checkbox"/> CP Polished Chrome	<input type="checkbox"/> AD Nickel Silver	<input type="checkbox"/> AG Brushed Nickel
P22732-LV	For Town Bathroom Sink Faucet, Tall Spout, Lever Handles	<input type="checkbox"/> CP Polished Chrome	<input type="checkbox"/> AD Nickel Silver	<input type="checkbox"/> AG Brushed Nickel

We reserve the right to make revisions without notice in the design of products or in packaging unless this right has specifically been waived at the time the order is accepted.