

### FEATURES

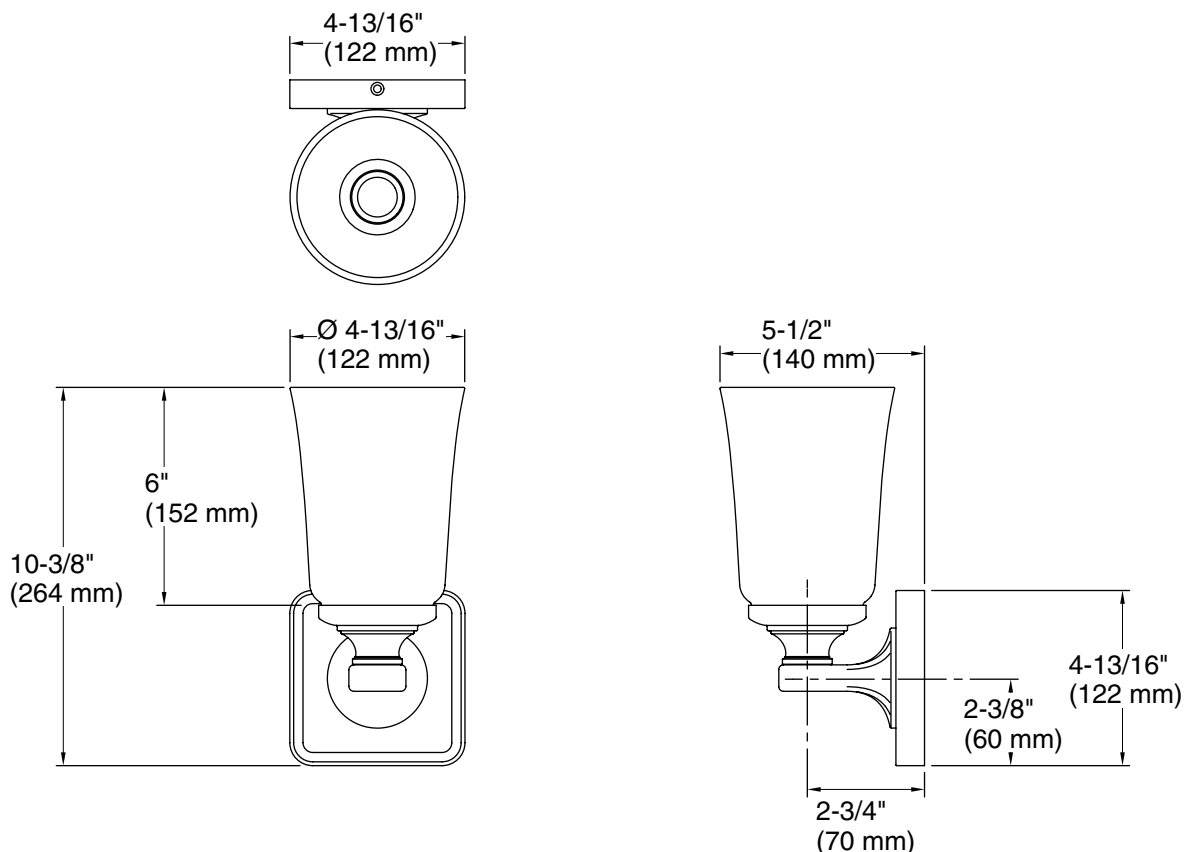
- Solid metal construction for durability and reliability
- Easy installation and bulb maintenance
- Antiqued glass backplate
- Complements Kallista Traditional collections

### CODES/STANDARDS APPLICABLE

Specified model meets or exceeds the following:

- ANSI/UL 1598
- CSA-C22.2 No. 250.0

# P34025



### ELECTRICAL NOTES

Use 4" (102 mm) x 2-1/8" (54 mm) rectangular electrical box for installation.  
Recommended Bulb: A19 (60 watt max)

### SPECIFIED MODEL

Model	Description	Finishes		
P34025-00	Traditional Sconce	<input type="checkbox"/> CP Polished Chrome	<input type="checkbox"/> AD Nickel Silver	<input type="checkbox"/> BV Brushed Bronze

We reserve the right to make revisions without notice in the design of products or in packaging unless this right has specifically been waived at the time the order is accepted.