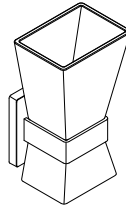


---

## INSTALLATION INSTRUCTIONS






P34027

## INSTALLATION INSTRUCTIONS

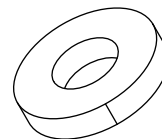
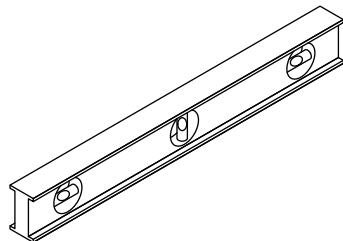
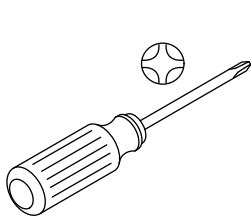
## THANK YOU FOR CHOOSING KALLISTA

We appreciate your commitment to KALLISTA quality products. Please take a moment to review this manual before you install your KALLISTA product. If you encounter any installation or performance problems, please do not hesitate to contact us at the phone number listed at the bottom of the page.

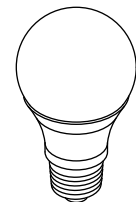
## BEFORE YOU BEGIN

-  **DANGER: Risk of electric shock.** To avoid electric shock, the electricity must be turned off at the circuit breaker or fuse box before beginning installation.
-  **DANGER: Risk of electric shock.** To avoid electric shock, the outlet box must be properly grounded.
-  **CAUTION: Risk of property damage.** To avoid the risk of fire, this fixture is rated for bulbs up to 60 Watts. Do not exceed this rating.
- Observe all local electrical and building codes.
- Please read all instructions before you begin.
- The fixture should be installed by a qualified electrician.
- This fixture is for indoor use only.
- KALLISTA reserves the right to make revisions in the design of products without notice, as specified in the Price Book.

## TOOLS AND MATERIALS



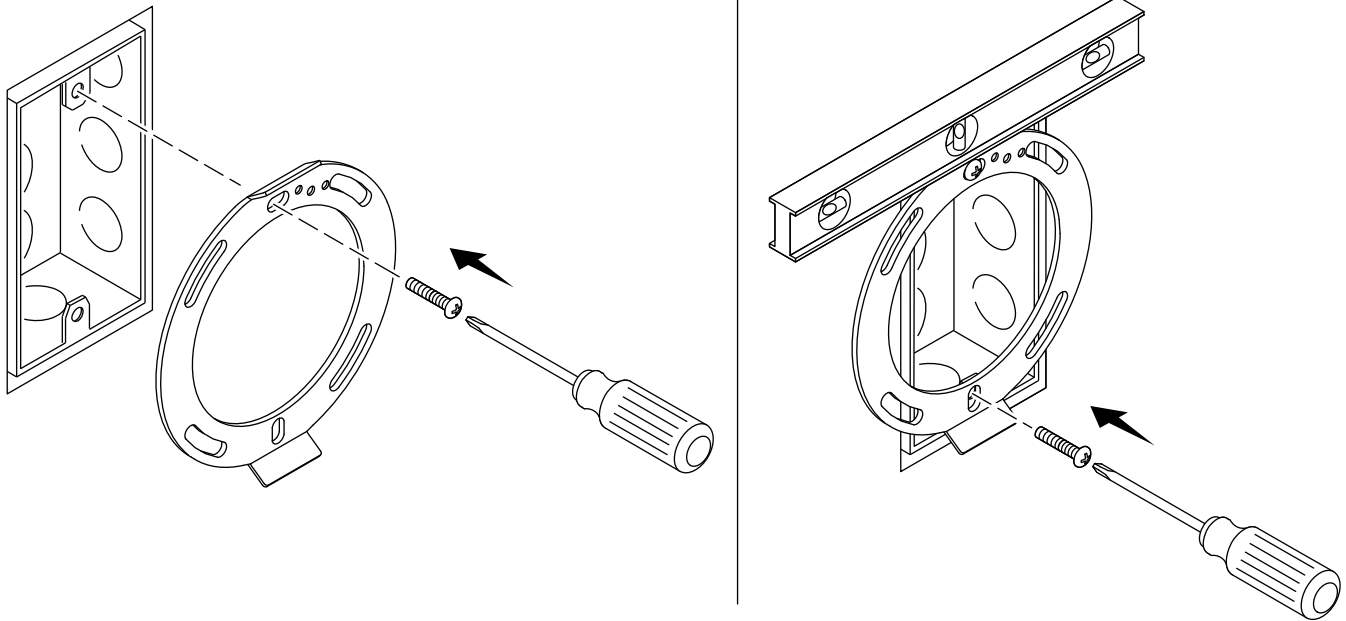
Electrical  
Tape



Maximum  
60 W Bulb

## INSTALLATION INSTRUCTIONS

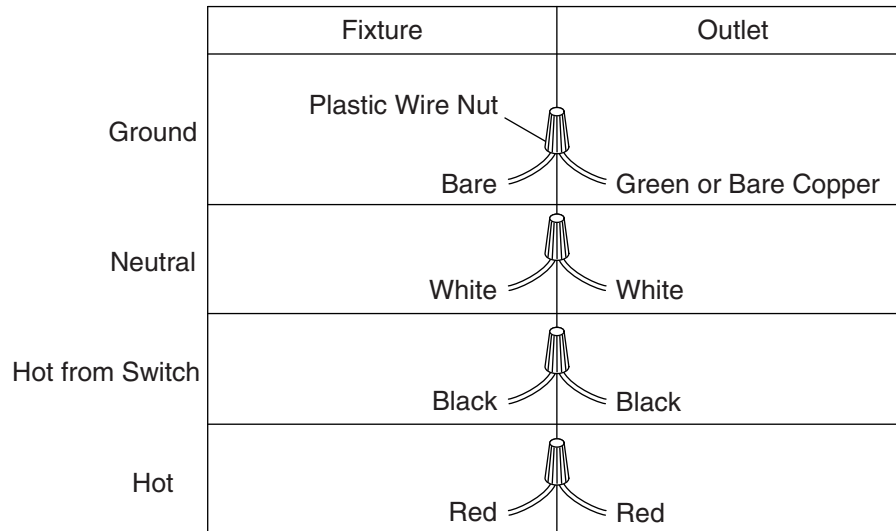
## 1. INSTALL THE MOUNTING PLATE



- Loosely attach the mounting plate to the outlet box at the top mounting hole.
- Position a level on the top flange of the mounting plate.
- Once the mounting plate is level, tighten the top screw and thread in the bottom screw.

## INSTALLATION INSTRUCTIONS

## 2. CONNECT THE ELECTRICAL WIRES



**DANGER: Risk of electric shock.** To avoid electric shock, turn the electricity off at the circuit breaker or fuse box before beginning installation.

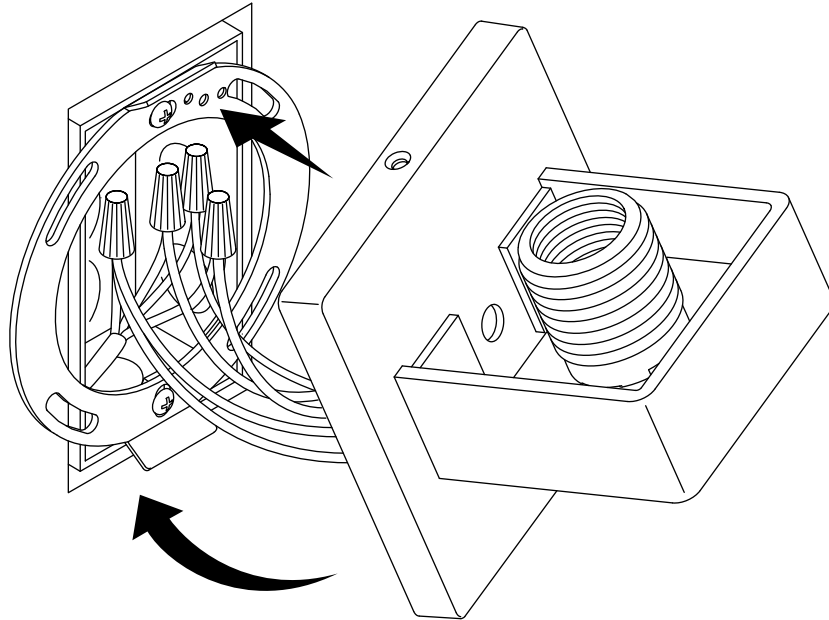
**DANGER: Risk of electric shock.** To avoid electric shock, the outlet box must be properly grounded.

**NOTE:** The fixture must be wired directly to a switch. The night light must be wired directly to electrical power.

- If you have not already done so, turn off the electricity at the circuit breaker or fuse box.
- Attach the bare copper ground wire from the fixture to the ground wire (green or bare wire) of the outlet box.
- Fasten the ground wires together with a plastic wire nut and wrap with electrical tape.
- Connect the hot and neutral wires exactly as shown above.
- Fasten the hot and neutral wires with plastic wire nuts and wrap with electrical tape.
- Verify that all plastic wire nuts are securely fastened and wire strands are not exposed.
- Turn on the electricity at the circuit breaker or fuse box.

## INSTALLATION INSTRUCTIONS

## 3. INSTALL THE SCONCE

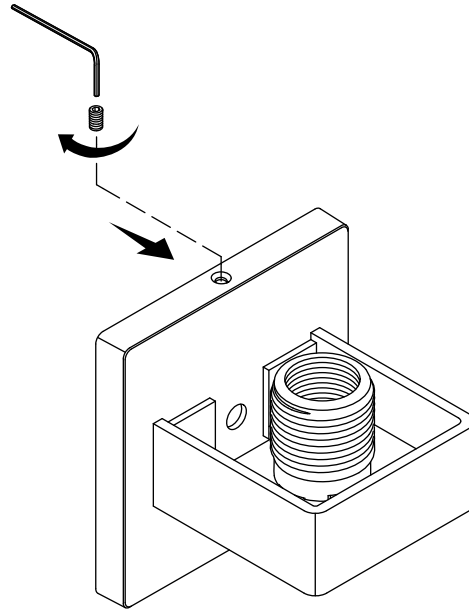


**NOTE:** As you are positioning the sconce body onto the mounting plate, carefully tuck the wiring into the outlet box.

- Hook the top edge of the sconce body onto the top flange of the mounting plate.
- Pivot the sconce body down until it is flush with the finished wall.

## INSTALLATION INSTRUCTIONS

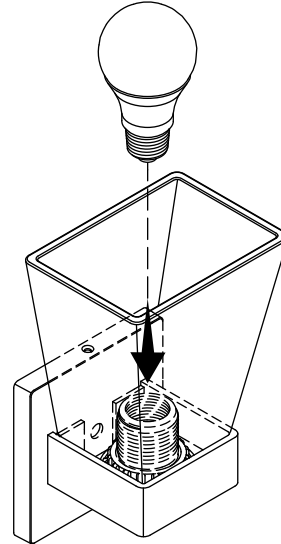
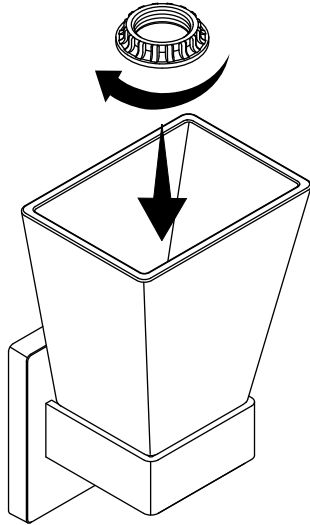
### 4. SECURE THE SCONCE




- ❑ Use the provided hex wrench to thread the setscrew into the sconce body and secure the sconce in place.

## INSTALLATION INSTRUCTIONS

## 5. INSTALL THE SHADE AND BULB

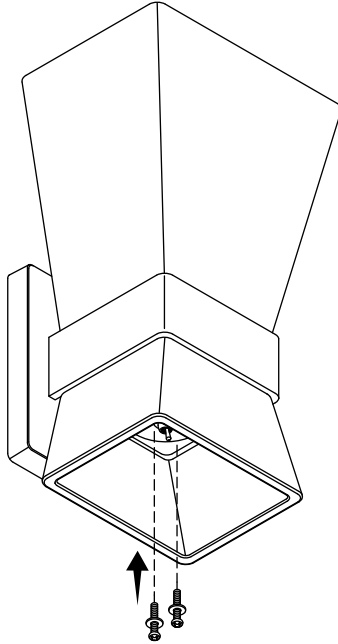


 **CAUTION: Risk of property damage.** To avoid the risk of fire, this fixture is rated for bulbs up to 60 Watts. Do not exceed this rating.

- Lower the shade into place on the sconce.
- Handtighten the nut to secure the shade to the sconce.
- Thread the light bulb into the sconce.

## INSTALLATION INSTRUCTIONS

### 6. INSTALL THE BOTTOM SHADE



- Install the bottom shade to the sconce, and secure using two washers and screws.