

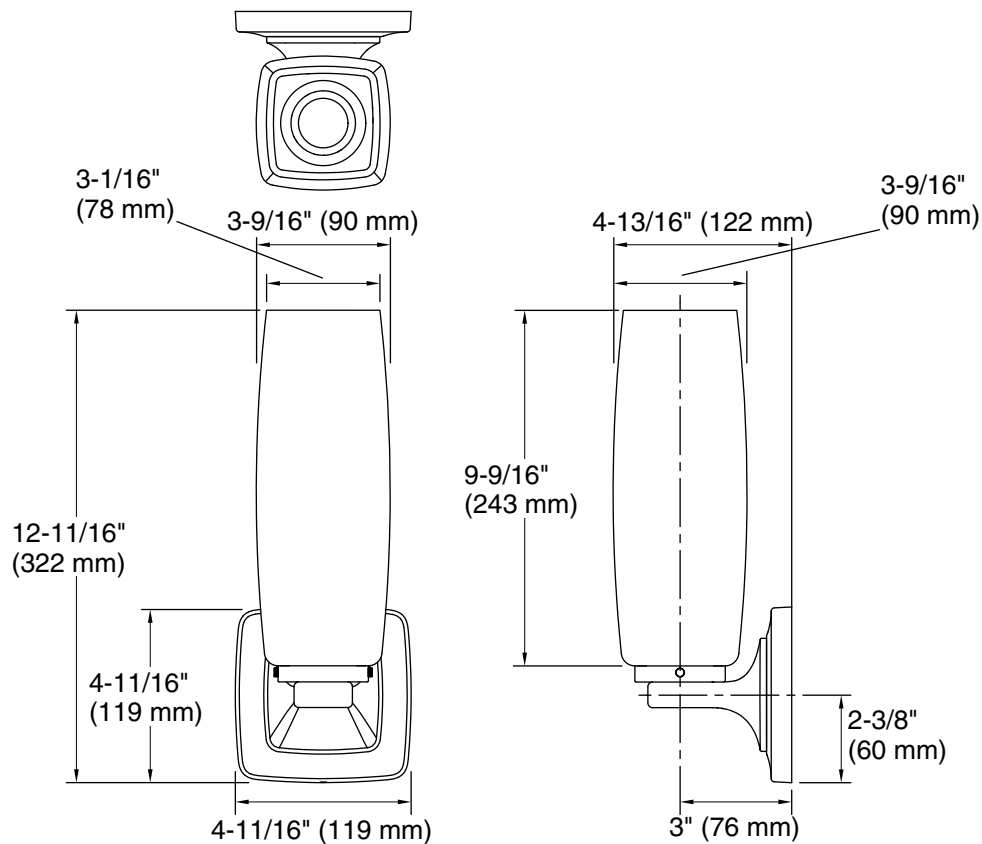
FEATURES

- Solid metal construction for durability and reliability
- Easy installation and bulb maintenance
- Complements the Kallista Transitional Collections

CODES/STANDARDS APPLICABLE

- Specified model meets or exceeds the following:
- ANSI/UL 1598
 - CAS-C22.2 No. 250.0

P34024



ELECTRICAL NOTES

Use 4" (102 mm) x 2-1/8" (54 mm) rectangular electrical box for installation.
Recommended bulb: T10 (60 Watt Max)

SPECIFIED MODEL

Model	Description	Finishes	
P34024-00	Soft Modern Sconce	<input type="checkbox"/> CP Polished Chrome	<input type="checkbox"/> AD Nickel Silver

We reserve the right to make revisions without notice in the design of products or in packaging unless this right has specifically been waived at the time the order is accepted.