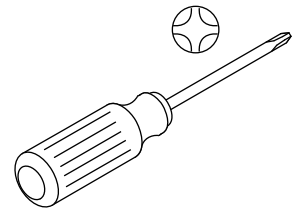
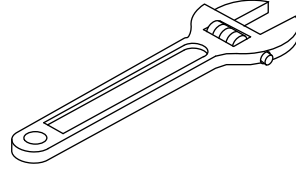
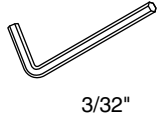
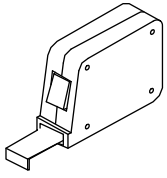


KALLISTA®

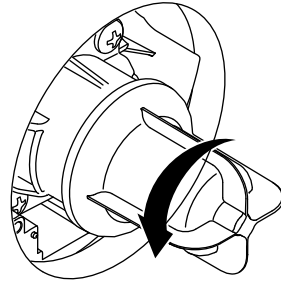
Installation Guide



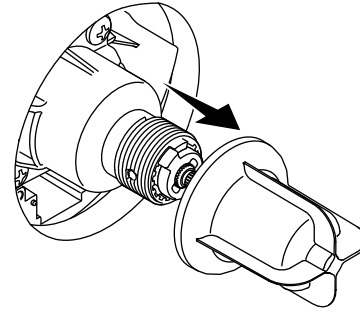
⚠ WARNING: Risk of scalding. High water temperature can cause severe burns. Set the water temperature at or below 120°F (49°C) following the adjustment procedure in the valve Installation and Care Guide.

Record your model number below for future reference: Observe all local plumbing and building codes.

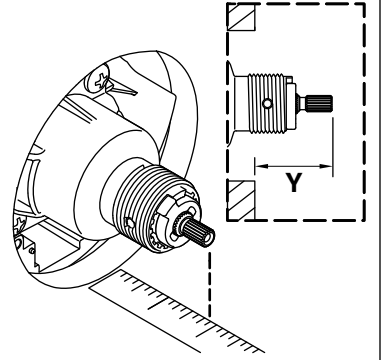
1 Using the guard as a handle, turn the water off.



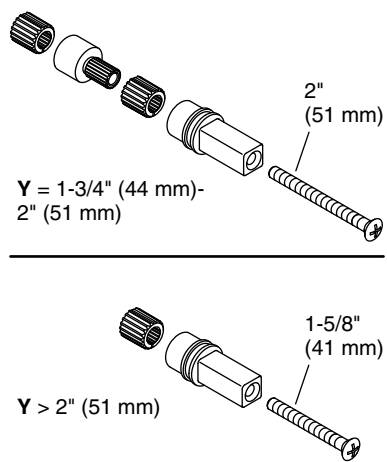
2 Remove the plaster guard.



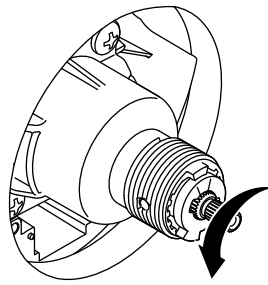
3 Measure dimension "Y" from the finished wall.



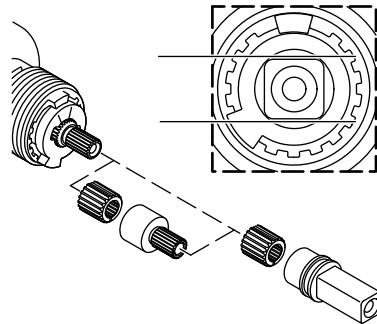
4 Use parts according to dimension "Y."



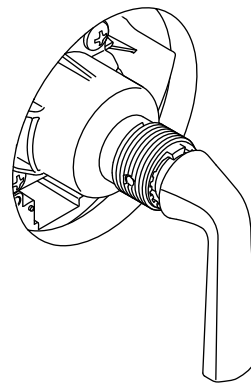
5 Make sure the valve is closed.



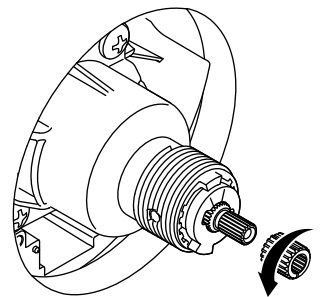
6 Install the correct parts according to "Y." Verify level.



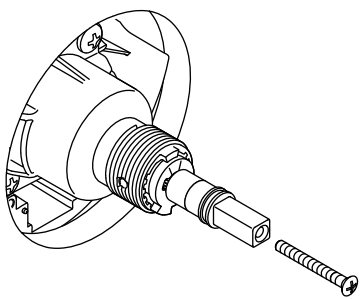
7 Dry fit the handle to confirm vertical alignment.



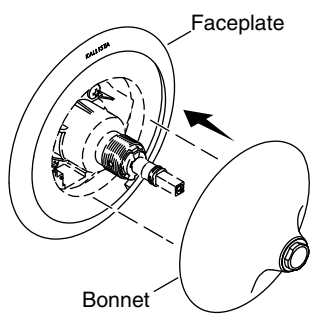
8 To adjust handle position, rotate the adapter one tooth. Repeat until aligned.



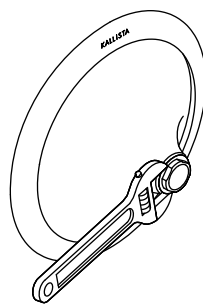
9 Install the correct screw according to dimension "Y."



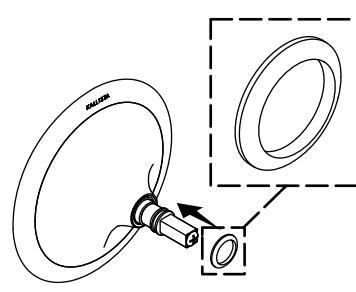
10 Position the faceplate with the logo at the top. Hold the faceplate in place and thread the bonnet onto the valve.



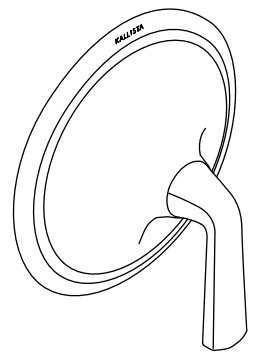
11 Securely tighten the bonnet.



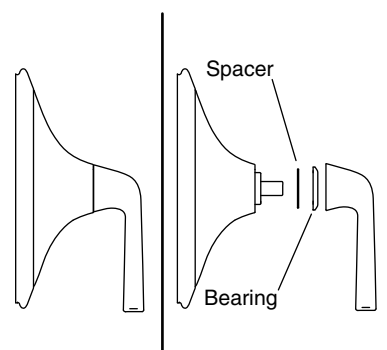
12 Position the bearing on the bonnet, curved side out.



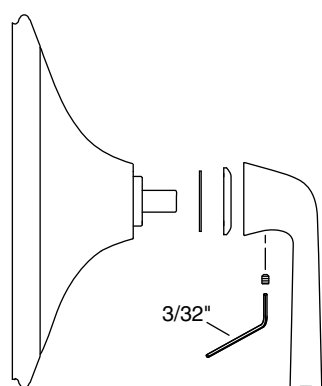
13 Point the handle down and slide onto the stem.



14 If the handle contacts the bonnet, remove the bearing and install a spacer. Reinstall the bearing.



15 Secure the handle with the setscrew.



Questions? Problems? For additional assistance, please contact
KALLISTA's Customer Service Department at 1-888-4-KALLISTA
(1-888-452-5547) or kallista.com.