
INSTALLATION INSTRUCTIONS






P34022

INSTALLATION INSTRUCTIONS

THANK YOU FOR CHOOSING KALLISTA

We appreciate your commitment to KALLISTA quality products. Please take a moment to review this manual before you install your KALLISTA product. If you encounter any installation or performance problems, please do not hesitate to contact us at the phone number listed at the bottom of the page.

BEFORE YOU BEGIN

-  **WARNING: Risk of electric shock.** To avoid possible electrical shock, the electricity must be turned off at the circuit breaker or fuse box before attempting any installation procedure.
-  **WARNING: Risk of electric shock.** To avoid possible electrical shock, the outlet box must be properly grounded.
-  **CAUTION: Risk of property damage:** To avoid possible risk of fire, this fixture has been rated for bulbs up to 60-watts. Do not exceed this rating.
- Observe all local electrical and building codes.
- Please read all instructions before you begin.
- It is recommended that a qualified electrician install the fixture.
- This fixture is for indoor use only.
- KALLISTA reserves the right to make revisions in the design of products without notice, as specified in the Price Book.

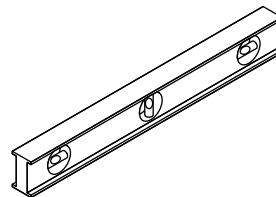
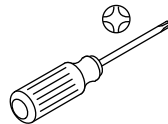
TOOLS AND MATERIALS



Electrical
Tape

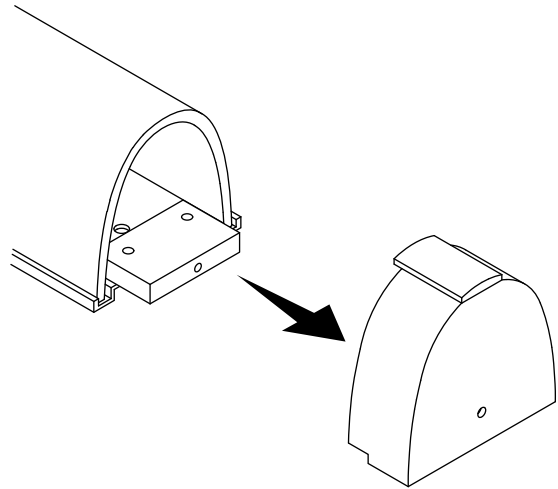
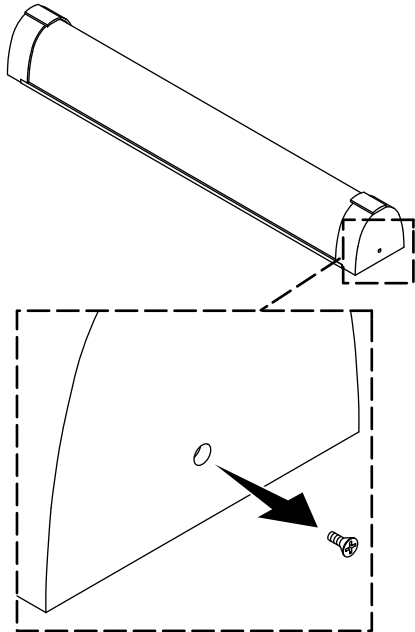


Plastic Wire
Connectors



INSTALLATION INSTRUCTIONS

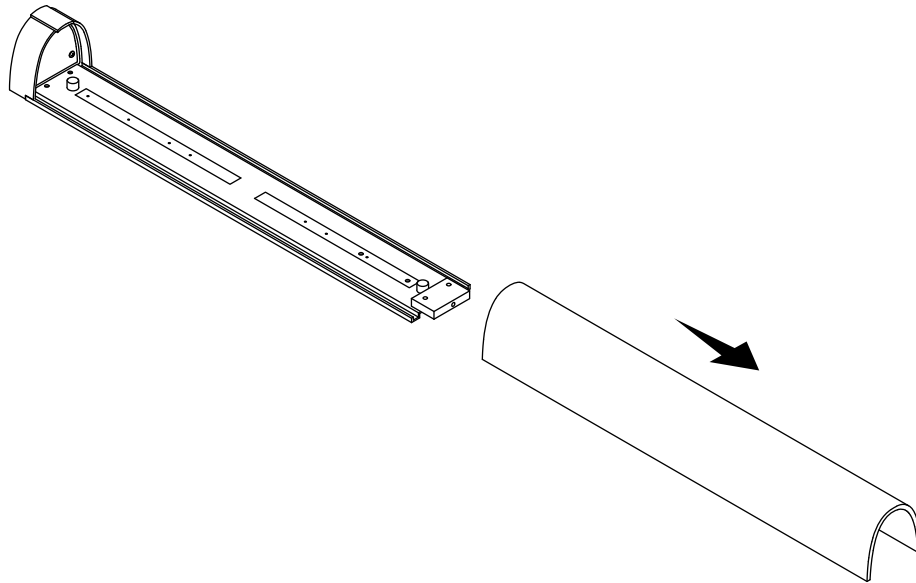
1. REMOVE THE ENDCAP



- Remove the screw from the endcap of the sconce.
- Remove the endcap.

INSTALLATION INSTRUCTIONS

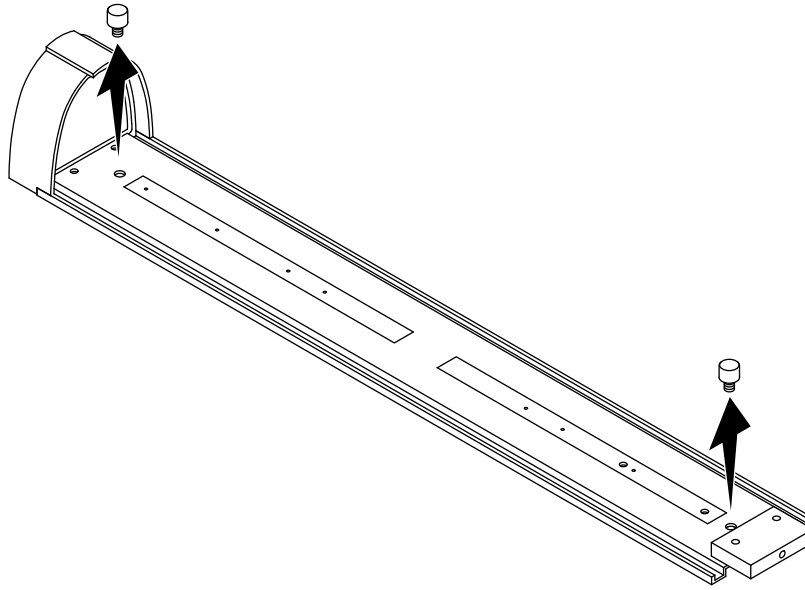
2. REMOVE THE SHADE



- Slide the shade off the sconce body.

INSTALLATION INSTRUCTIONS

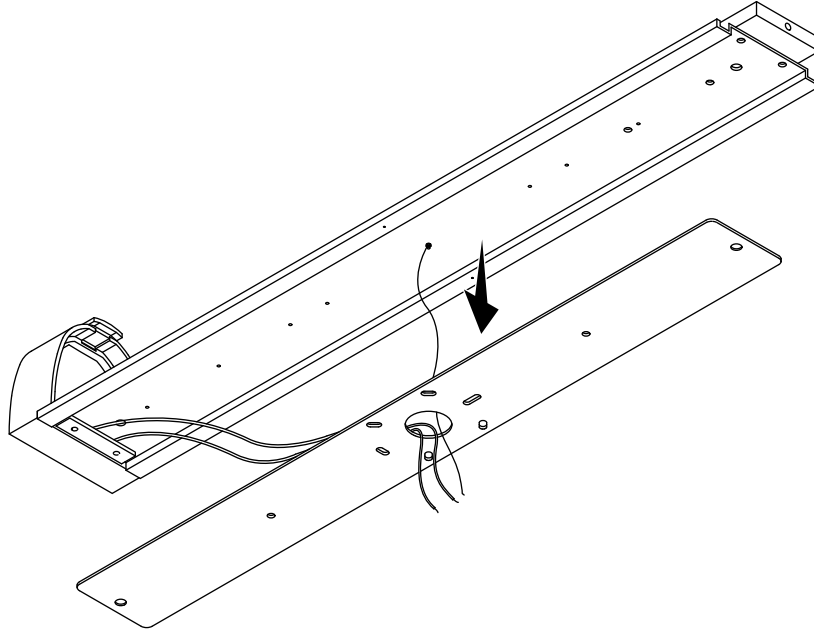
3. REMOVE THE STUDS



- Unthread the studs from the sconce body.

INSTALLATION INSTRUCTIONS

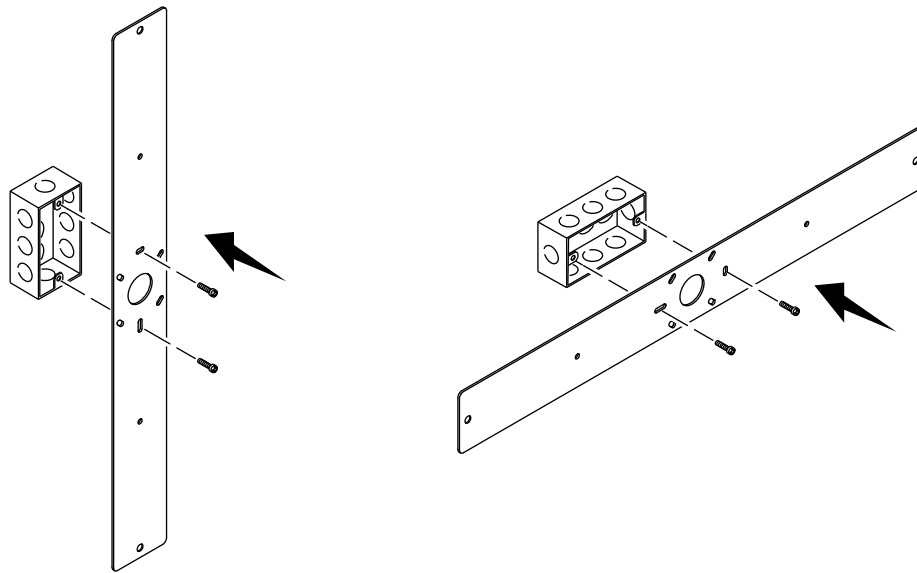
4. REMOVE THE BACKPLATE



- Remove the backplate from the sconce.

INSTALLATION INSTRUCTIONS

5. SECURE THE SCONCE BACKPLATE

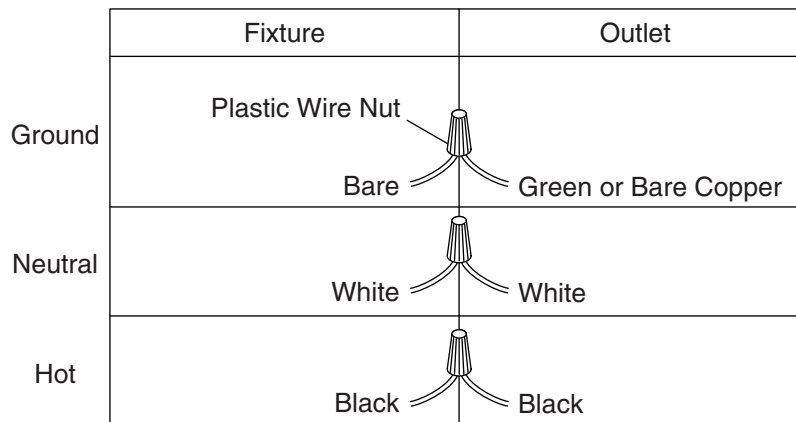


NOTE: This sconce can be installed vertically or horizontally.

- Align the holes on the backplate with the holes on the outlet box.
- Run the wiring from the outlet box through the sconce backplate to make it accessible in later steps.
- Attach the sconce backplate to the outlet box with the mounting screws.
- Verify that the backplate is level, adjust if necessary.

INSTALLATION INSTRUCTIONS

6. CONNECT THE ELECTRICAL WIRES



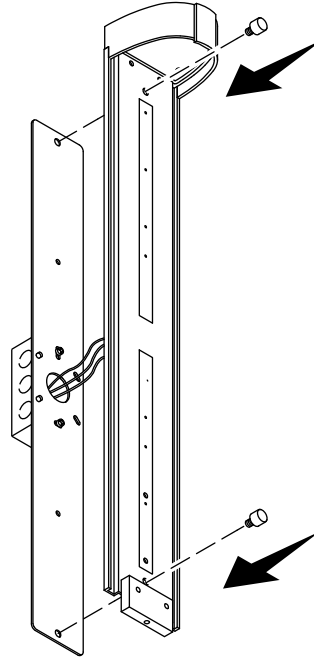
⚠ DANGER: Risk of personal injury. To avoid possible electrical shock, the electricity must be turned off at the circuit breaker or fuse box before attempting any installation procedure.

⚠ DANGER: Risk of personal injury. To avoid possible electrical shock, the outlet box must be properly grounded.

- If you have not already done so, turn off the electricity at the circuit breaker or fuse box.
- Attach the bare copper ground wire from the fixture to the ground wire (green or bare wire) of the outlet box.
- Fasten the ground wires together with a plastic wire nut and wrap with electrical tape.
- Attach the neutral wire (white) from the fixture to the neutral wire (usually white) of the outlet box.
- Fasten the neutral wires together with a plastic wire nut and wrap with electrical tape.
- Attach the hot wire (black) from the fixture to the hot wire (usually black) of the outlet box.
- Fasten the hot wires together with a plastic wire nut and wrap with electrical tape.
- Verify all plastic wire nuts are securely fastened and wire strands are not exposed.

INSTALLATION INSTRUCTIONS

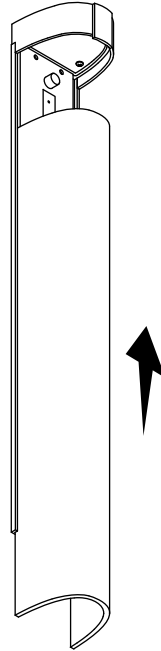
7. MOUNT THE SCONCE BODY



- Carefully tuck the wiring neatly into the outlet box.
- Attach the sconce body to the backplate using the studs.

INSTALLATION INSTRUCTIONS

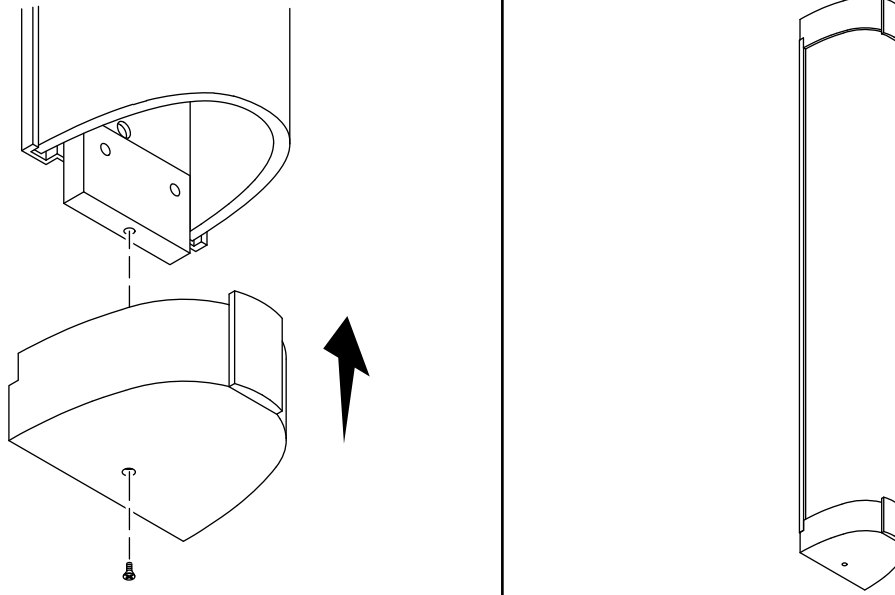
8. INSTALL THE SHADE



- Slide the shade back into place on the sconce body.

INSTALLATION INSTRUCTIONS

9. COMPLETE THE INSTALLATION



- Secure the endcap into place using the screw.
- With the sconce reassembled, turn on the electrical supply and check for proper operation.

INSTALLATION INSTRUCTIONS