

# Installation Instructions

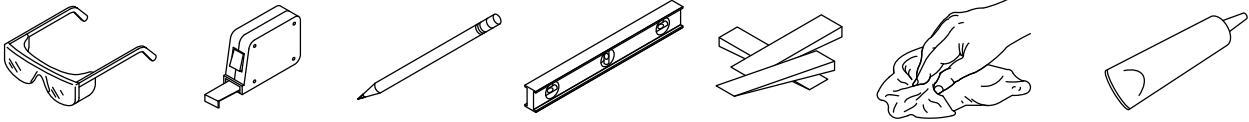
## Freestanding Bath

Record your model number: \_\_\_\_\_

KALLISTA®

## Tools and Materials

---



100% Silicone Sealant



Construction Adhesive Rubber Mallet

### Plus:

- Drop Cloth
- Lifting Straps
- Short Ø 1-1/2" PVC Pipe

## Before You Begin

---

**⚠ CAUTION: Risk of personal injury.** This bath is extremely heavy. Obtain sufficient help and use lifting straps to lift or move the bath.

**IMPORTANT!** To ensure a successful installation, install the bath on a level floor.

**IMPORTANT!** Drain parts are included in a small box within the carton. Locate and retain the small box before discarding the carton and packing material.

Follow all local plumbing and building codes.

Unpack and inspect the product for damage. Return the product to the carton until installation.

To simplify future maintenance, provide access to plumbing connections.

This bath will not easily fit through doorways. Carefully plan how to move the bath into the installation area.

Install the bath to an adequately supported, level finished floor.

This bath is designed for freestanding installation only.

This bath features a factory-installed drain and an integral, cast overflow.

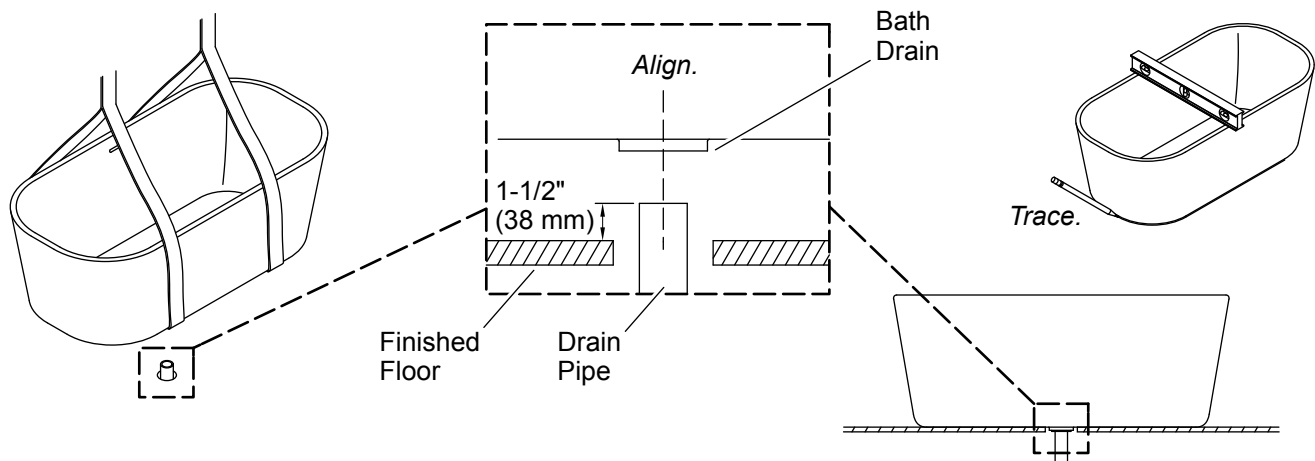
Install a floor- or ceiling-mount bath filler with this freestanding bath.

Your product may appear different from the one illustrated. The installation procedure is the same.

This bath conforms to CSA B45.5/IAPMO Z124.

# 1. Prepare the Site

---



**⚠ CAUTION: Risk of personal injury.** This bath is extremely heavy. Obtain sufficient help and use lifting straps to lift or move the bath.

**NOTICE:** Measure your product for site preparation. Visit the product page at [kallista.com](http://kallista.com) for more information.

**NOTICE:** Provide adequate floor support.

- Determine the location of the bath.
- Position the bath so that the overflow side of the bath faces the preferred direction.
- Make sure the subfloor is level and offers adequate support for the bath.

**IMPORTANT!** To ensure a successful installation, install the bath on a level floor.

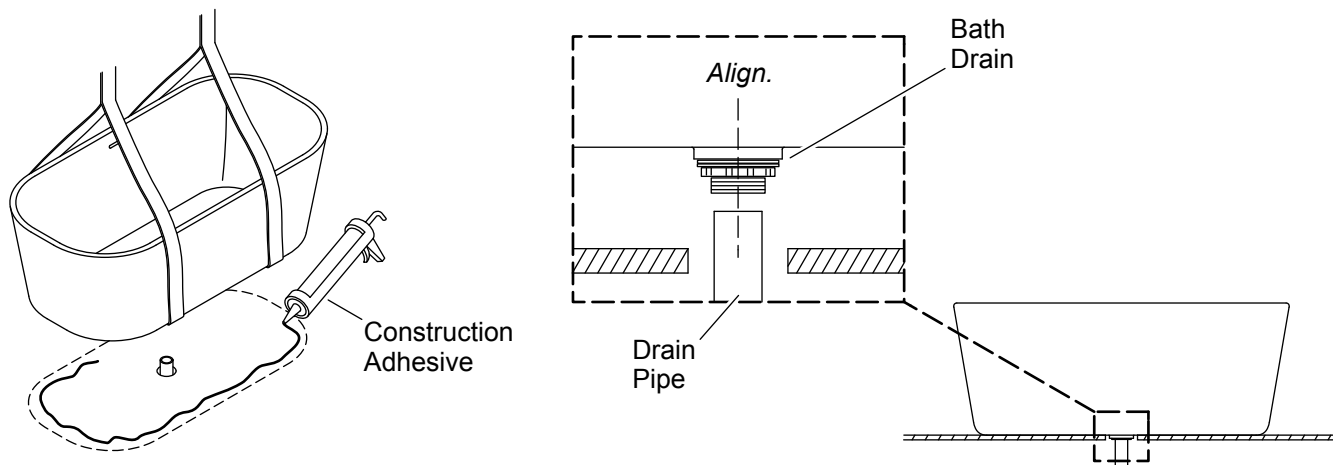
- Install the finished floor material.
- Make sure the finished floor is level before proceeding.
- Position and install a standard PVC or brass bath drain pipe. Install the drain pipe to extend 1-1/2" (38 mm) above the finished floor.

## Position the Bath

- With help, use lifting straps to carefully lift the bath off the floor.
- Make sure the drain pipe is centered in the bath drain.
- Using a pencil, trace the footprint of the bath on the floor.

## 2. Install the Bath

---

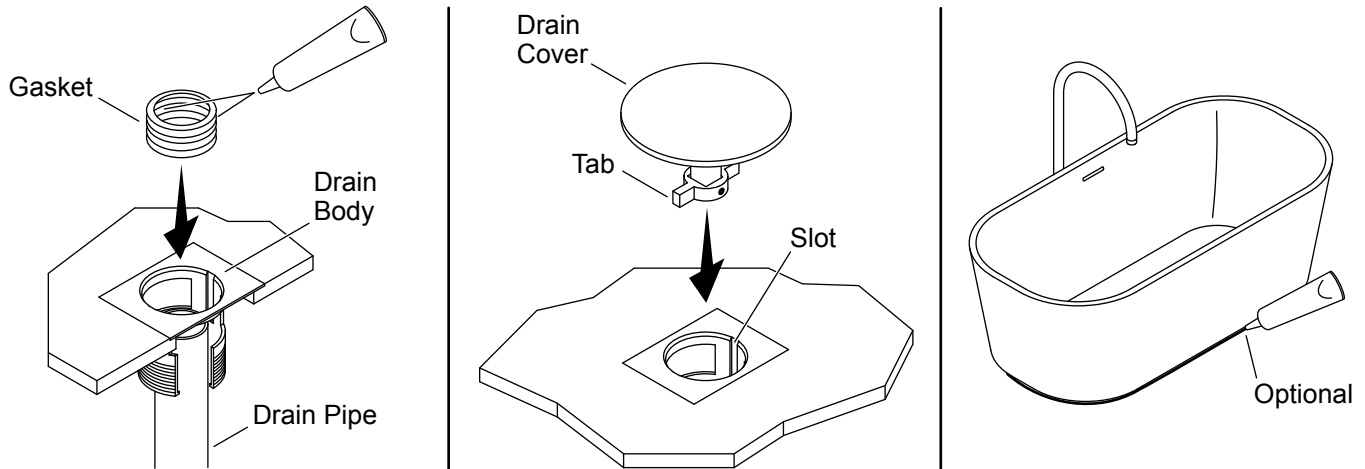


**⚠ CAUTION: Risk of personal injury.** This bath is extremely heavy. Obtain sufficient help and use lifting straps to lift or move the bath.

**⚠ CAUTION: Risk of property damage.** Make sure any factory-installed drain connections have not become loose during shipping. Tighten as needed to prevent leakage.

- With help, use lifting straps to carefully lift the bath off the floor.
- Apply construction adhesive inside the perimeter of the footprint on the floor, within about a 2" (51 mm) area inside the traced line.
- Carefully set the bath on the floor, aligned with the traced footprint.
- Adjust the bath position as needed to ensure that the drain pipe is centered in the bath drain hole.
- Wipe away any excess adhesive.

### 3. Complete the Installation



**⚠ CAUTION: Risk of property damage.** Make sure a watertight seal exists on all bath drain connections.

**NOTE:** The drain cover and gaskets are included in a small box located within the carton.

- Choose the thin gasket for PVC drain pipes or the thick gasket for brass pipes.
- Apply 100% silicone sealant to the inside and outside surfaces of the gasket to act as a lubricant.
- Use a rubber mallet and short section of 1-1/2" PVC pipe to install the gasket onto the drain pipe inside the drain body.

**NOTE:** To ensure proper drain cover operation, the gasket must sit below the drain body slots.

- Align the tabs on the drain cover with the slots in the drain body and insert the drain cover.
- Press the drain cover several times to make sure the drain opens and closes properly.
- If desired, apply a thin, continuous bead of clear or color-matched silicone sealant to the seam between the bath and the finished floor.
- Install the bath filler following the faucet manufacturer's instructions.
- Close the bath drain.
- Fill the bath to the overflow and check for leaks.





1-888-4-KALLISTA (1-888-452-5547)  
kallista.com

KALLISTA®

©2020 Kallista



1271911-2

1271911-2-F