

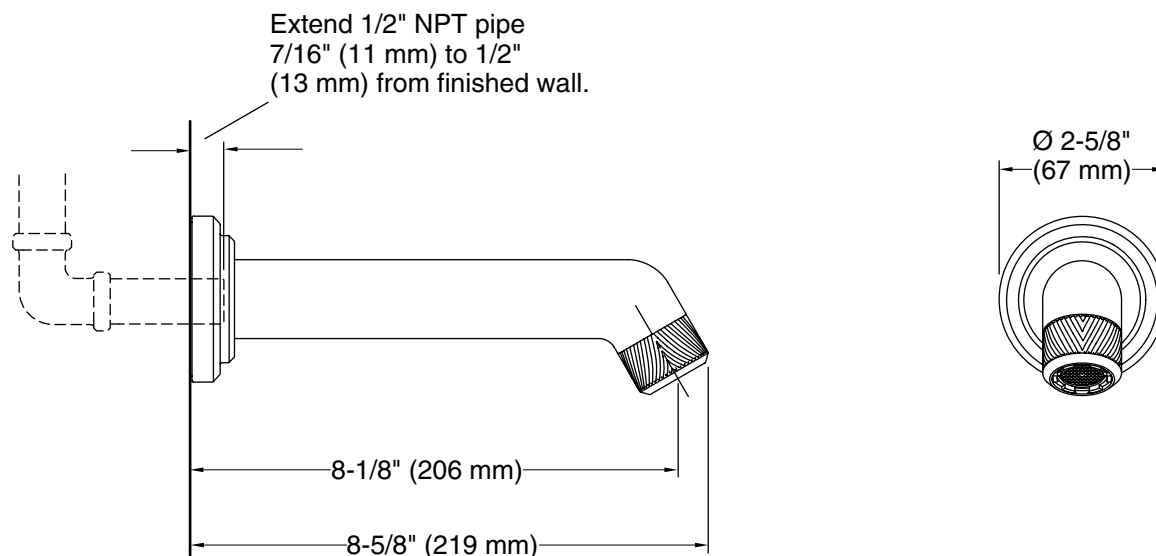
FEATURES

- Solid brass construction for durability and reliability
- 1/2" NPT spout connection
- Complements the Pinna Paletta collection

CODES/STANDARDS APPLICABLE

- Specified model meets or exceeds the following:
- ASME A112.18.1/CSA B125.1

P24914



SPECIFIED MODEL

Model	Description	Finishes
P24914-CPH	Pinna Paletta Wall-Mount Bath Spout w/Polished Chrome Accent	<input type="checkbox"/> CP Polished Chrome
P24914-SNW	Pinna Paletta Wall-Mount Bath Spout w/Polished Nickel Accent	<input type="checkbox"/> SN Polished Nickel
P24914-ULB	Pinna Paletta Wall-Mount Bath Spout w/Unlacquered Brass Accent	<input type="checkbox"/> ULB Unlacquered Brass

We reserve the right to make revisions without notice in the design of products or in packaging unless this right has specifically been waived at the time the order is accepted.