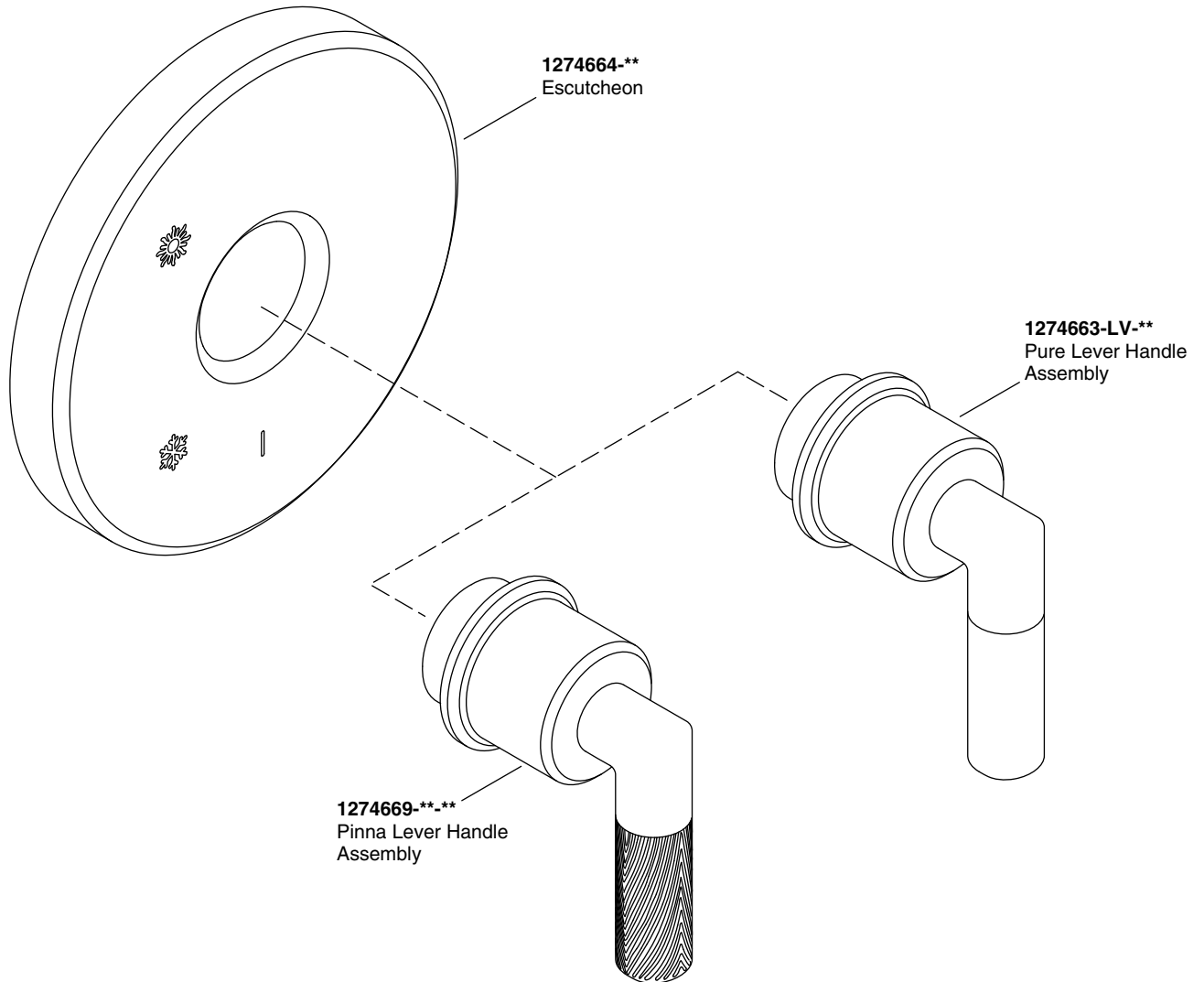


## Service Parts

P24915

P24918



\*\*Finish/color code must be specified when ordering

We reserve the right to make revisions without notice in the design of products or in packaging unless this right has specifically been waived at the time the order is accepted.