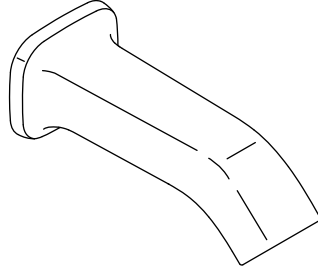


### INSTALLATION INSTRUCTIONS

---



P24762

## INSTALLATION INSTRUCTIONS

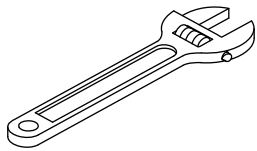
## THANK YOU FOR CHOOSING KALLISTA

We appreciate your commitment to KALLISTA quality products. Please take a moment to review this manual before you install your KALLISTA product. If you encounter any installation or performance problems, please do not hesitate to contact us at the phone number listed at the bottom of the page.

## BEFORE YOU BEGIN

- Observe all local plumbing and building codes.
- Shut off the water supply.
- For roughing-in specifications, please refer to the faucet manufacturer's installation instructions.
- KALLISTA reserves the right to make revisions in the design of products without notice, as specified in the Price Book.

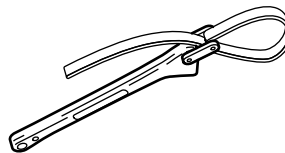
## TOOLS AND MATERIALS



Adjustable  
Wrench



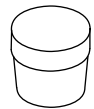
9 mm Hex  
Wrench



Strap  
Wrench



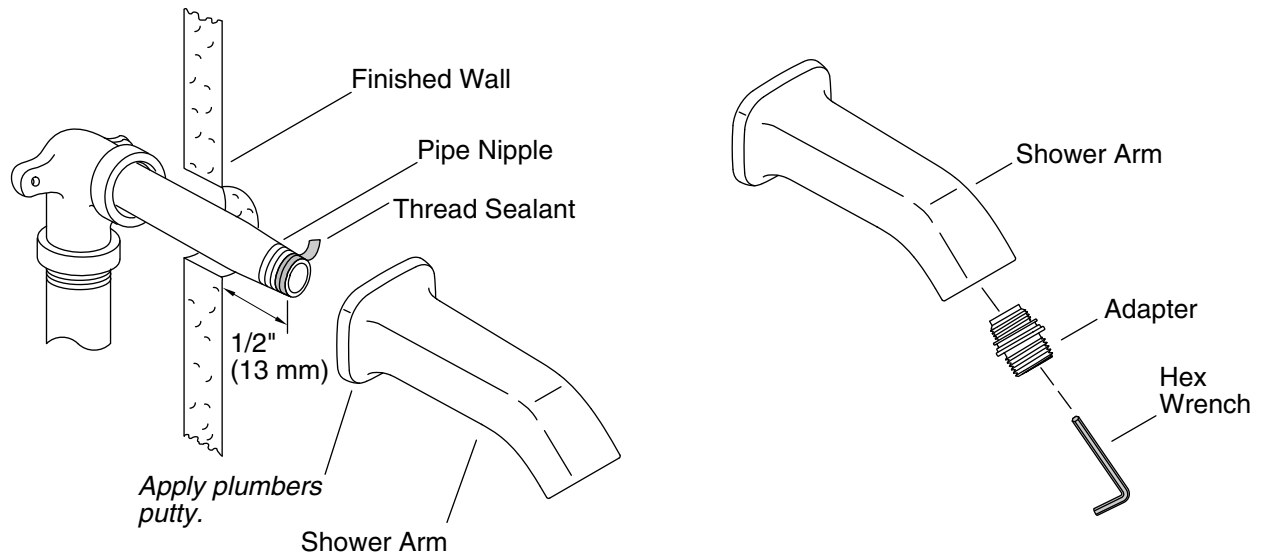
Thread  
Sealant



Plumbers  
Putty

## INSTALLATION INSTRUCTIONS

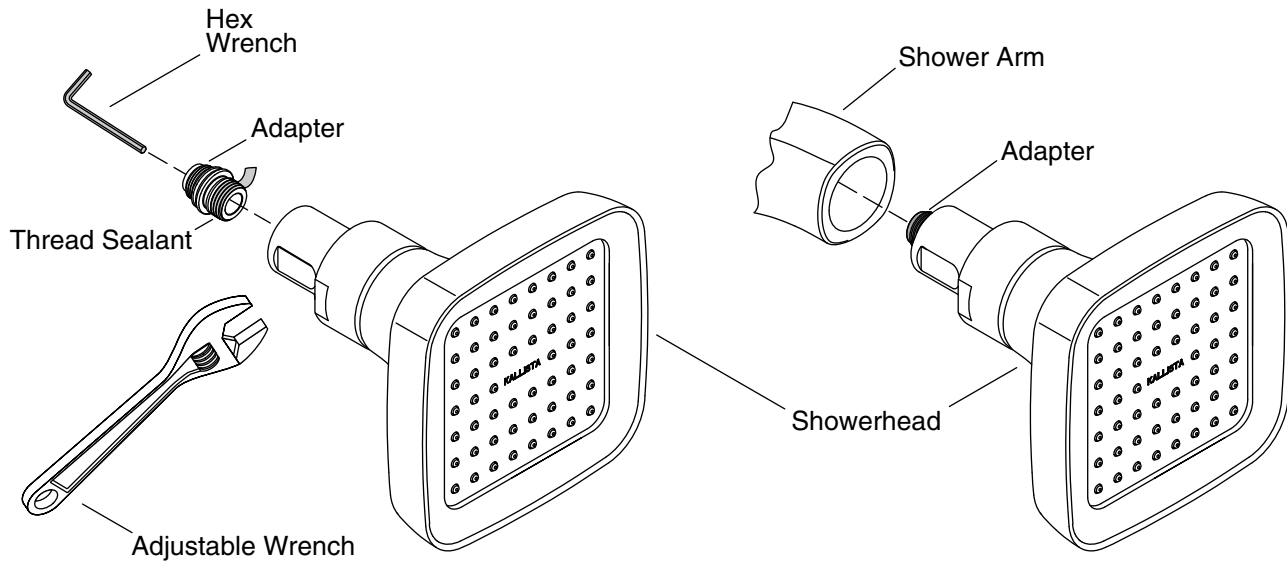
## INSTALL THE SHOWER ARM



- Install a male 1/2" NPT pipe to extend 1/2" (13 mm) beyond the finished wall.
- Apply sealant tape to the exposed threads of the pipe nipple.
- Apply a bead of plumbers putty or other sealant to the back of the shower arm according to the putty manufacturer's instructions.
- Thread the shower arm to the pipe nipple.
- Use a clean strap wrench to securely tighten the shower arm.
- Remove any excess plumbers putty.
- Turn on the water supply.
- Run hot and cold water through the shower arm to flush out dirt and debris.
- Unthread the shower arm adapter from the shower arm using the 9 mm hex wrench.

## INSTALLATION INSTRUCTIONS

## COMPLETE THE INSTALLATION



- Apply thread sealant to the shower arm adapter.
- Thread the adapter tightly into the showerhead while securing the ball joint with a wrench. Be careful not to scratch the finish with the wrench.
- Thread the showerhead tightly into the shower arm.
- Check for proper operation.