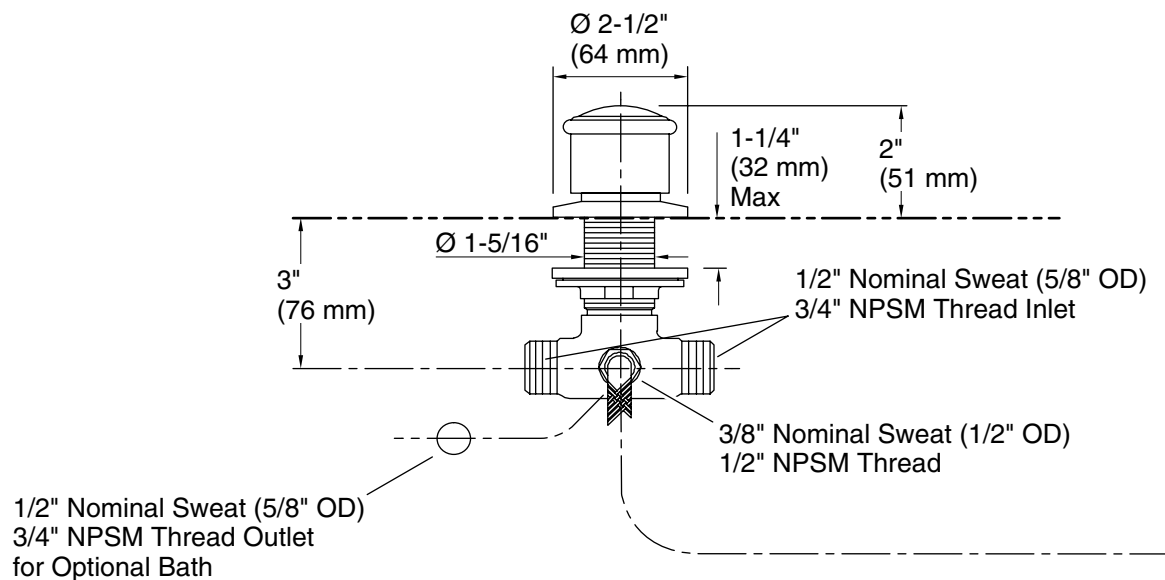


### FEATURES

# P21435

- Solid brass construction for durability and reliability
- Complements Kallista bathroom faucets and fixtures



Can be installed in a wall-mount application to the same roughing-in dimensions.

### INSTALLATION NOTES

All dimensions are nominal.		
Diverter Hole Size	1-1/2" (38 mm)	
Deck Thickness	Min	Max
Diverter	—	1-1/4" (32 mm)

### SPECIFIED MODEL

Model	Description	Finishes		
P21435-00	Select Diverter Valve	<input type="checkbox"/> CP Polished Chrome	<input type="checkbox"/> AD Nickel Silver	<input type="checkbox"/> AG Brushed Nickel
		<input type="checkbox"/> ULB Unlacquered Brass	<input type="checkbox"/> BL Matte Black	<input type="checkbox"/> SN Polished Nickel

We reserve the right to make revisions without notice in the design of products or in packaging unless this right has specifically been waived at the time the order is accepted.