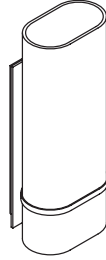


## INSTALLATION INSTRUCTIONS






**P34421W**

## INSTALLATION INSTRUCTIONS

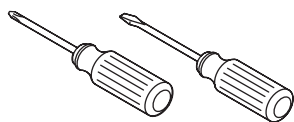
### THANK YOU FOR CHOOSING KALLISTA

We appreciate your commitment to KALLISTA quality products. Please take a moment to review this manual before you install your KALLISTA product. If you encounter any installation or performance problems, please do not hesitate to contact us at the phone number listed at the bottom of the page or visit us on line at [kallista.com](http://kallista.com).

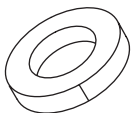
### BEFORE YOU BEGIN

-  **WARNING: Risk of personal injury.** To avoid possible electrical shock, the electricity must be turned off at the circuit breaker or fuse box before attempting any installation procedure.
-  **WARNING: Risk of personal injury.** To avoid possible electrical shock, the outlet box must be properly grounded.
-  **WARNING: Risk of property damage.** To avoid possible risk of fire, do not exceed the following rating for this fixture: input 120/240 VAC 50/60 Hz, maximum 25 W type B10 candelabra base bulb.
- Observe all local electrical codes and building codes.
- Carefully read these instructions before installing the fixture.
- It is strongly recommended that a professional electrician install the fixture.
- This fixture is for indoor use only.
- Carefully inspect the fixture for damage.
- KALLISTA reserves the right to make revisions in the design of products without notice, as specified in the Price Book.

### TOOLS AND MATERIALS



Assorted  
Screwdrivers



Electrical  
Tape



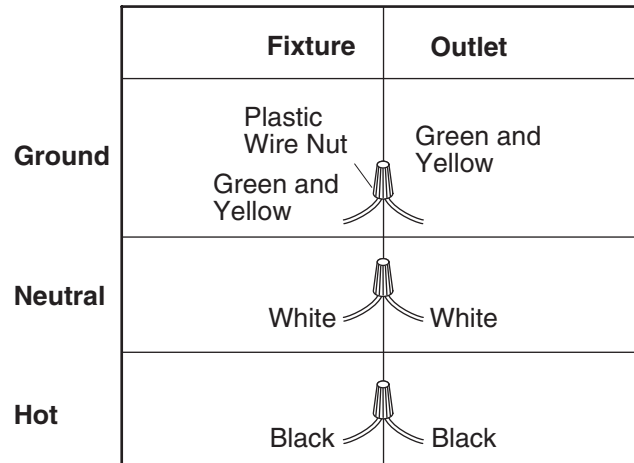
Plastic Wire  
Connectors



25 W Type B10  
Candelabra Base  
Bulb

## INSTALLATION INSTRUCTIONS

### 1. CONNECT THE ELECTRICAL WIRES



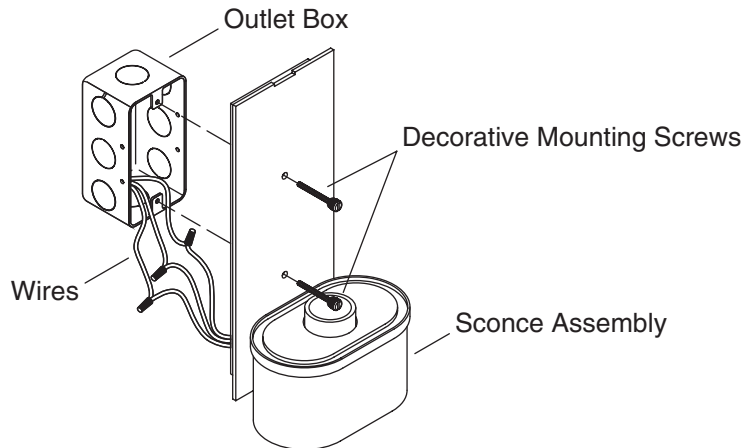
**⚠ WARNING: Risk of personal injury.** To avoid possible electrical shock, the electricity must be turned off at the circuit breaker or fuse box before attempting any installation procedure.

**⚠ WARNING: Risk of personal injury.** To avoid possible electrical shock, the outlet box must be properly grounded.

- If you have not already done so, turn off the electricity at the circuit breaker or fuse box.
- Attach the green and yellow ground wire from the fixture to the ground wire (green and yellow) of the outlet box.
- Fasten the ground wires together with a plastic wire nut and wrap with electrical tape.
- Attach the neutral wire (white) from the fixture to the neutral wire of the outlet box.
- Fasten the neutral wires together with a plastic wire nut and wrap with electrical tape.
- Attach the hot wire (black) from the fixture to the hot wire of the outlet box.
- Fasten the hot wires together with a plastic wire nut and wrap with electrical tape.
- Verify all plastic wire nuts are securely fastened and wire strands are not exposed.

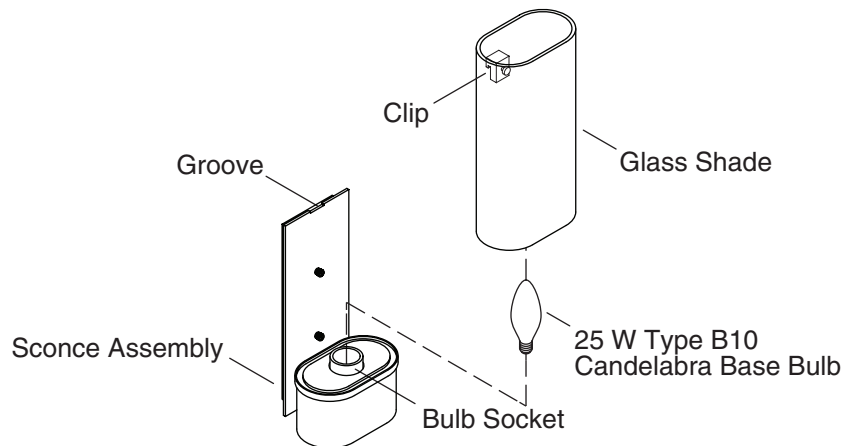
## INSTALLATION INSTRUCTIONS

### 2. INSTALL THE SCONCE ASSEMBLY



- Carefully tuck the wire connections neatly into the outlet box.
- Align the mounting holes in the sconce assembly with the holes on the outlet box as shown.
- Attach the sconce assembly to the outlet box with the decorative mounting screws.

### 3. INSTALL THE SHADE AND BULB



- Insert a B10 candelabra base bulb (25 W maximum) into the fixture.
- Position the glass shade over bulb socket. Make sure the clip on the back of the shade rests in the groove.
- Turn on the main electrical supply from the main fuse or circuit breaker
- Check for proper operation.