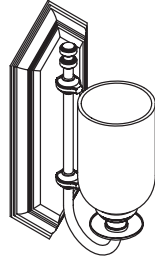


### INSTALLATION INSTRUCTIONS






**P31321W**

## INSTALLATION INSTRUCTIONS

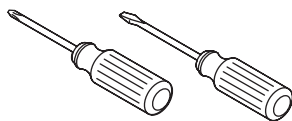
### THANK YOU FOR CHOOSING KALLISTA

We appreciate your commitment to KALLISTA quality products. Please take a moment to review this manual before you install your KALLISTA product. If you encounter any installation or performance problems, please do not hesitate to contact us at the phone number listed at the bottom of the page or visit us on line at [kallista.com](http://kallista.com).

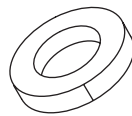
### BEFORE YOU BEGIN

-  **WARNING: Risk of personal injury.** To avoid possible electrical shock, the electricity must be turned off at the circuit breaker or fuse box before attempting any installation procedure.
-  **WARNING: Risk of personal injury.** To avoid possible electrical shock, the outlet box must be properly grounded.
-  **WARNING: Risk of property damage.** To avoid possible risk of fire, do not exceed the following rating for this fixture: input 120/240 VAC 50/60 Hz, maximum 25 W type B10 candelabra base bulb.
- Observe all local electrical codes and building codes.
- Carefully read these instructions before installing the fixture.
- It is strongly recommended that a professional electrician install the fixture.
- Because of the weight of this fixture, two people are required for installation.
- This fixture is for indoor use only.
- Carefully inspect the fixture for damage.
- KALLISTA reserves the right to make revisions in the design of products without notice, as specified in the Price Book.

### TOOLS AND MATERIALS



Assorted  
Screwdrivers



Electrical  
Tape



Hex  
Wrench



Plastic Wire  
Connectors



25 W Type B10  
Candelabra Base  
Bulb



Pencil



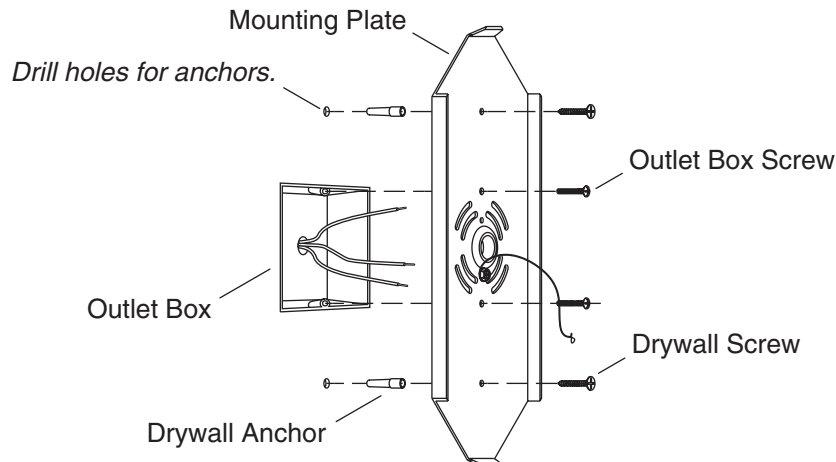
Level



Drill

## INSTALLATION INSTRUCTIONS

### 1. INSTALL THE MOUNTING PLATE



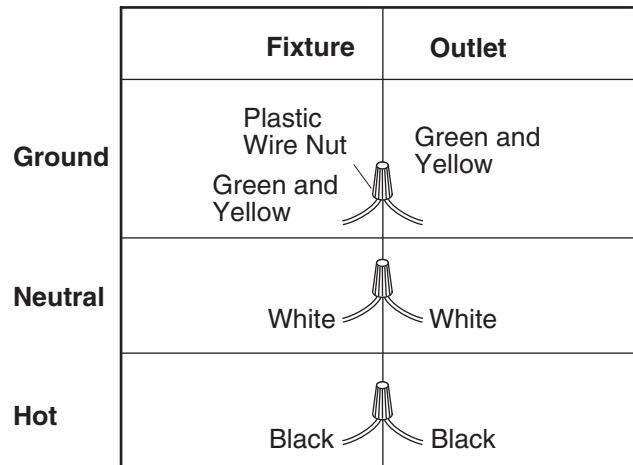
**⚠ WARNING: Risk of personal injury.** To avoid possible electrical shock, the electricity must be turned off at the circuit breaker or fuse box before attempting any installation procedure.

**NOTE:** Outlet boxes vary in size and shape. Use whichever combination of holes or slots that are appropriate for your outlet box.

- If you have not already done so, turn off the electricity at the circuit breaker or fuse box.
- Place the flat side of the mounting plate flat against the outlet box.
- Center the mounting plate over the outlet box.
- Align the mounting holes or slots on the mounting plate with the holes on the outlet box.
- Loosely attach the mounting plate to the outlet box with the outlet box screws.
- Verify that the mounting plate is level and plumb. Mark the location for the drywall anchors.
- Remove the mounting plate and set aside. Drill the holes for the drywall anchors.
- Install the drywall anchors in the drywall.
- Feed the wires from the outlet box through the center hole in the mounting plate.
- Use the outlet box screws to secure the mounting plate to the outlet box and use drywall screws to secure the mounting plate to the wall.

## INSTALLATION INSTRUCTIONS

### 2. CONNECT THE ELECTRICAL WIRES



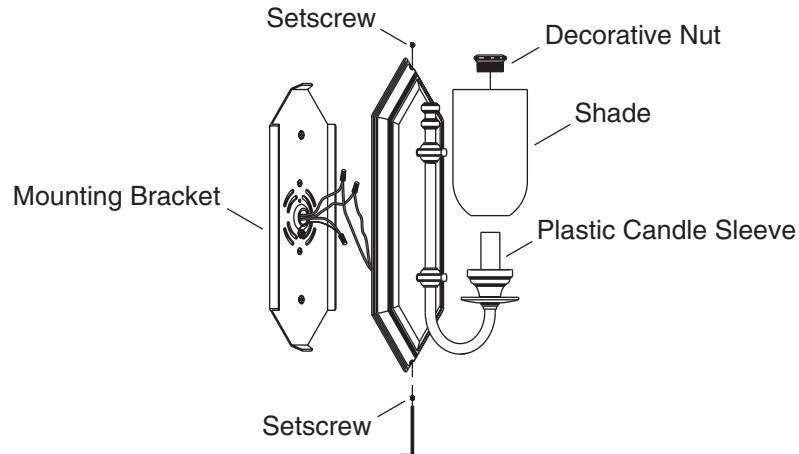
**⚠ WARNING: Risk of personal injury.** To avoid possible electrical shock, properly ground the outlet box.

**NOTE:** It is strongly recommended that an assistant hold the sconce while the connections are being made.

- Attach the green and yellow ground wire from the fixture to the ground wire (green and yellow) of the outlet box.
- Fasten the ground wires together with a plastic wire nut and wrap with electrical tape.
- Attach the neutral wire (white) from the fixture to the neutral wire of the outlet box.
- Fasten the neutral wires together with a plastic wire nut and wrap with electrical tape.
- Attach the hot wire (black) from the fixture to the hot wire of the outlet box.
- Fasten the hot wires together with a plastic wire nut and wrap with electrical tape.
- Verify all plastic wire nuts are securely fastened and wire strands are not exposed.

## INSTALLATION INSTRUCTIONS

### 3. INSTALL THE WALL SCONCE



- Carefully place the wire connections neatly into the outlet box.
- Position the back plate of the fixture over the mounting plate.
- Secure the fixture to the mounting plate with the setscrews. The fixture should be flush against the finished wall.
- Position the shade over the plastic candle sleeve.
- Thread the decorative nut onto the fixture to secure the shade in place. **Do not overtighten!**
- Insert a B10 candelabra base bulb (25 W maximum) into the fixture.
- Turn on the main electrical supply from the main fuse or circuit breaker.
- Check for proper operation.