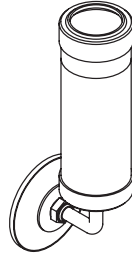


INSTALLATION INSTRUCTIONS






P31221W-00

INSTALLATION INSTRUCTIONS

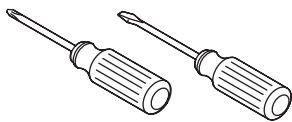
THANK YOU FOR CHOOSING KALLISTA

We appreciate your commitment to KALLISTA quality products. Please take a moment to review this manual before you install your KALLISTA product. If you encounter any installation or performance problems, please do not hesitate to contact us at the phone number listed at the bottom of the page or visit us on line at kallista.com.

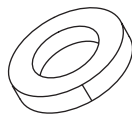
BEFORE YOU BEGIN

-  **WARNING: Risk of personal injury.** To avoid possible electrical shock, the electricity must be turned off at the circuit breaker or fuse box before attempting any installation procedure.
 -  **WARNING: Risk of personal injury.** To avoid possible electrical shock, the outlet box must be properly grounded.
 -  **WARNING: Risk of property damage.** To avoid possible risk of fire, do not exceed the following rating for this fixture: input 120/240 VAC 50/60 Hz, maximum 25 W type B10 candelabra base bulb.
- Observe all local electrical codes and building codes.
 - Carefully inspect the fixture for damage.
 - It is strongly recommended that a professional electrician install the fixture.
 - It is recommended that the outlet box for the wall sconce be secured to a wall stud.
 - This fixture is for indoor use only.
 - KALLISTA reserves the right to make revisions in the design of products without notice, as specified in the Price Book.

TOOLS AND MATERIALS



Assorted
Screwdrivers



Electrical
Tape



Hex
Wrench



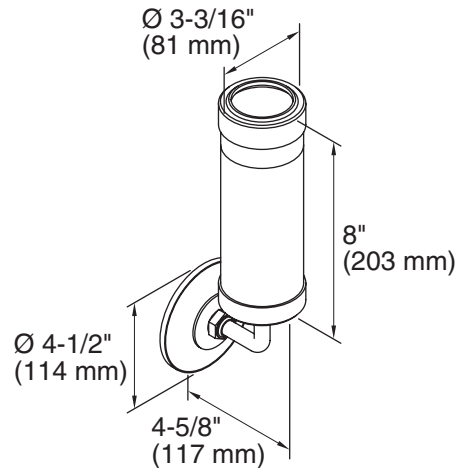
Plastic Wire
Connectors



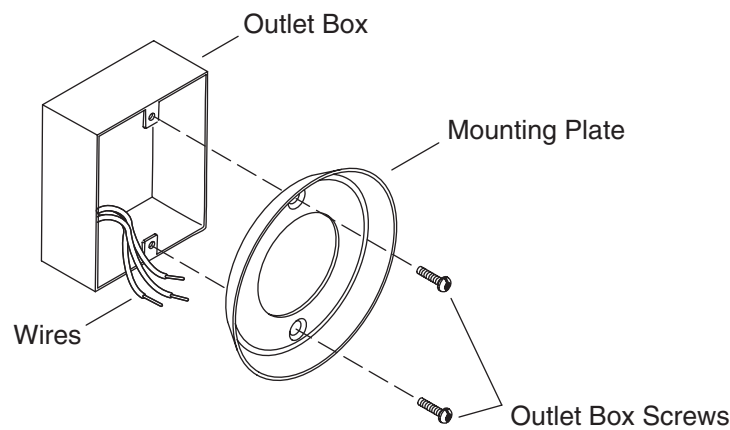
25 W Type B10
Candelabra Base
Bulb

INSTALLATION INSTRUCTIONS

ROUGHING-IN



1. INSTALL THE MOUNTING PLATE

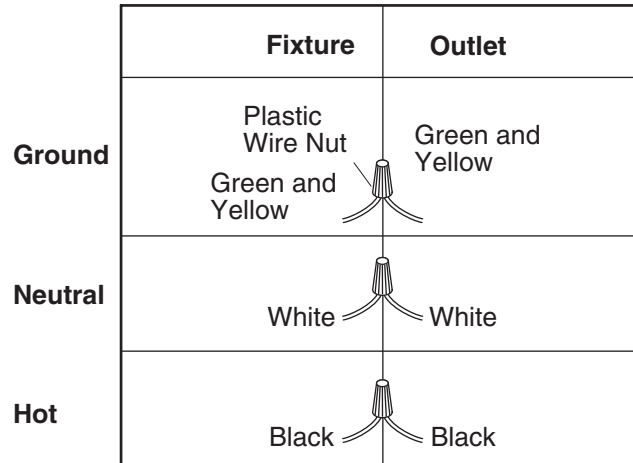


⚠ WARNING: Risk of personal injury. To avoid possible electrical shock, the electricity must be turned off at the circuit breaker or fuse box before attempting any installation procedure.

- Carefully pull the wiring out from the outlet box and allow the wires to hang down.
- Place the flanged side of the mounting plate toward you, as shown.
- Align the mounting holes on the mounting plate with the holes on the outlet box.
- Secure the mounting plate to the outlet box using the outlet box screws.
- Use the outlet box screws to secure the mounting plate to the outlet box.

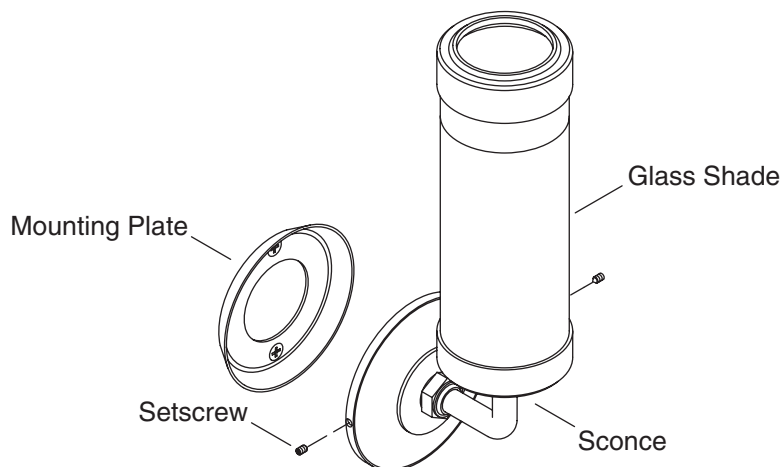
INSTALLATION INSTRUCTIONS

3. CONNECT THE ELECTRICAL WIRES



WARNING: Risk of personal injury. To avoid possible electrical shock, the outlet box must be properly grounded.

- Attach the green and yellow ground wire from the fixture to the ground wire (green and yellow) of the outlet box.
- Fasten the ground wires together with a plastic wire nut and wrap with electrical tape.
- Attach the neutral wire (white) from the fixture to the neutral wire of the outlet box.
- Fasten the neutral wires together with a plastic wire nut and wrap with electrical tape.
- Attach the hot wire (black) from the fixture to the hot wire of the outlet box.
- Fasten the hot wires together with a plastic wire nut and wrap with electrical tape.
- Verify all plastic wire nuts are securely fastened and wire strands are not exposed.
- Carefully place the wire connections neatly into the outlet box.
- Position the back plate of the fixture over the mounting plate.
- Carefully place the wire connections neatly behind the back plate.

INSTALLATION INSTRUCTIONS**4. INSTALL THE WALL SCONCE**

- Use the setscrews provided to secure the sconce to the mounting plate. Verify that the sconce is flush against the finished wall.
- Insert a B10 candelabra base bulb (25 W maximum) into the fixture.
- Position the glass shade on the threaded socket of the sconce.
- Turn on the main electrical supply from the main fuse or circuit breaker.
- Check for proper operation.