

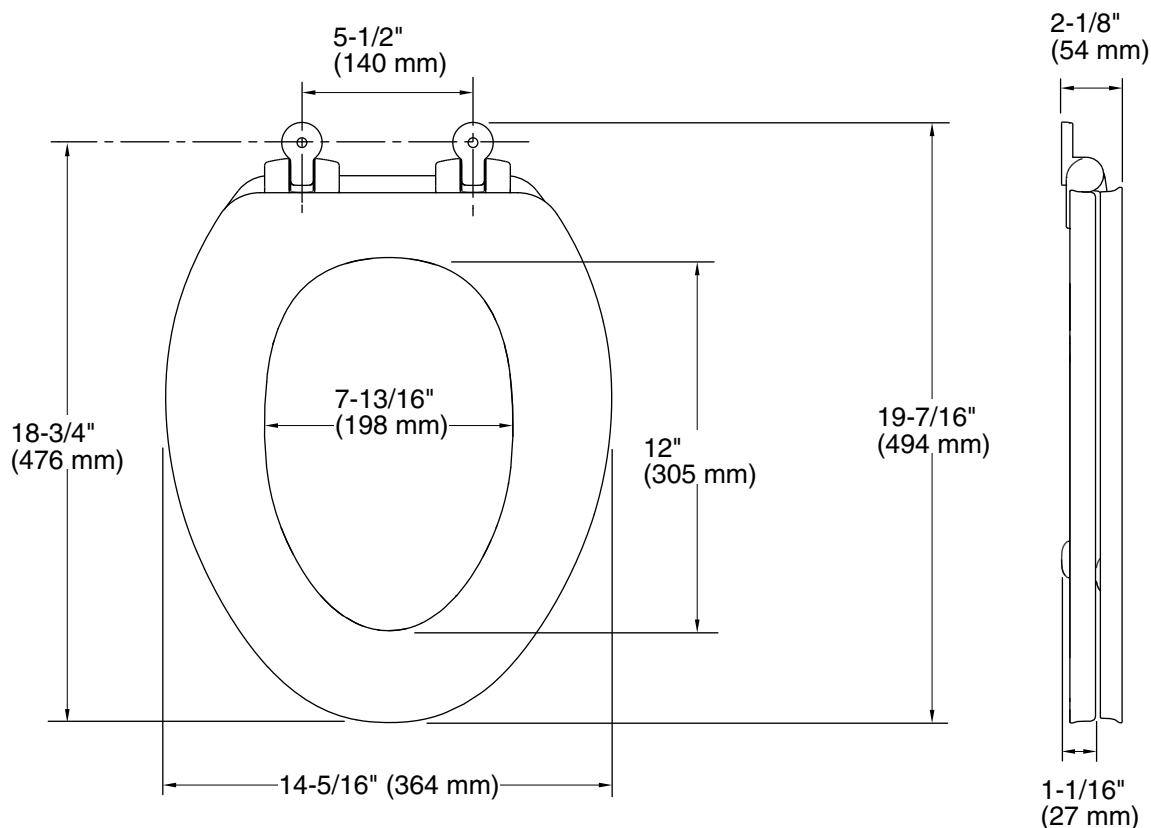
FEATURES

- Solid maplewood construction
- Slow-close hinge technology
- Brass hinge construction provides durability and reliability
- Ergonomically contoured for maximum comfort
- Finger grip detail in perimeter of lid for easy opening
- Standard elongated form
- Coordinates with multiple Kallista fixtures and faucets

CODES/STANDARDS APPLICABLE

Specified model meets or exceeds the following:

- EPA TSCA Title VI
- CARB P2



SPECIFIED MODEL

Model	Description	Finishes		
P70334-CP, AD, AG, BL, or BV	Maplewood Toilet Seat	<input type="checkbox"/> EM Ebonized Mahogany	<input type="checkbox"/> JV Java	<input type="checkbox"/> KZ Brunette

We reserve the right to make revisions without notice in the design of products or in packaging unless this right has specifically been waived at the time the order is accepted.