

KALLISTA®

Kennebec® 2-Piece Toilet

FEATURES

- Vitreous china
- Elongated bowl
- Two-piece; chair-height seating
- 1.28 gpf (4.8 lpf)
- 2" (51 mm) glazed trapway
- Includes polished chrome plated brass trip lever

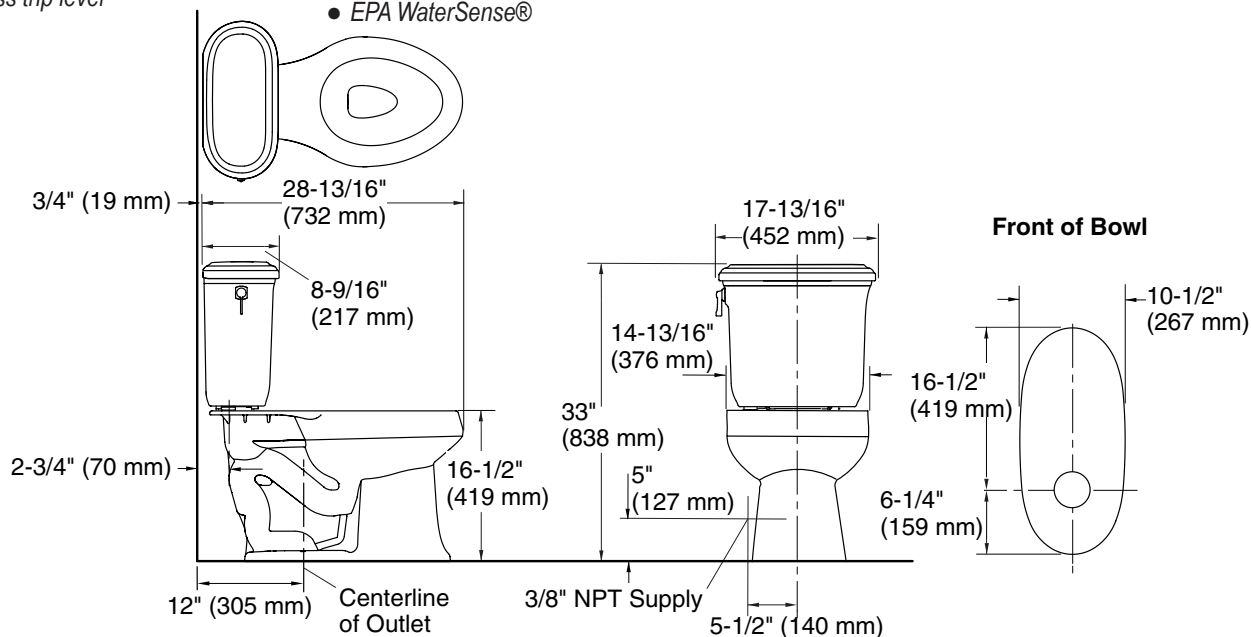
CODES/STANDARDS APPLICABLE

Specified model meets or exceeds the following:

- ADA
- ICC/ANSI A117.1
- CSA B651
- OBC
- ASME A112.19.2/CSA B45.1
- EPA WaterSense®

P70321, P70322, Combination P70320

ADA **CSA B651** **OBC**



PRODUCT INFORMATION

Fixture:	
Configuration	two-piece, elongated
Water per flush	1.28 gal (4.8 L)
Passageway	2-1/8" (54 mm)
Water area	9" (229 mm) x 8" (203 mm)
Water depth from rim	6-3/4" (171 mm)
Seat post hole centers	5-1/2" (140 mm)

INSTALLATION NOTES

Will comply with the American Disabilities Act (**ADA**) when installed per the requirements of the Accessibility Guidelines, Section 604 Water Closets, of the Act. The Model Plumbing Codes require the installation of elongated open-front toilet seats in public bathrooms.

Will comply with CSA B651 when installed per Clause 4.3.6 of the standard.

Will comply with OBC when installed per Clause 3.8.3.8 and 3.8.3.9.

The model is acceptable for left-hand Accessible compartment installations only.

SPECIFIED MODEL

Model	Description	Finishes	
P70320-00	Kennebec 2-Piece Toilet	<input type="checkbox"/> 0 Stucco White	
P70321-00	Kennebec Toilet Bowl	<input type="checkbox"/> 0 Stucco White	
P70322-00	Kennebec Toilet Tank	<input type="checkbox"/> 0 Stucco White	
Recommended Accessories			
P70303-CP, AD, AG, BL or BV	Classic Toilet Seat with Finished Brass, Slow-Close Hinges	<input type="checkbox"/> 0 Stucco White	
Optional Accessory			
P70304-00	Classic Trip Lever Finish Upgrade	<input type="checkbox"/> AD Nickel Silver	<input type="checkbox"/> AG Brushed Nickel
		<input type="checkbox"/> BV Brushed Bronze	

We reserve the right to make revisions without notice in the design of products or in packaging unless this right has specifically been waived at the time the order is accepted.