

FEATURES

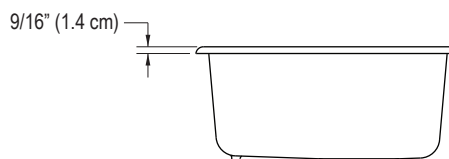
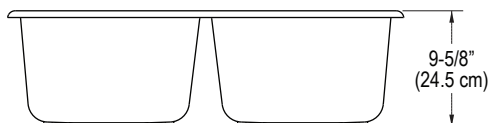
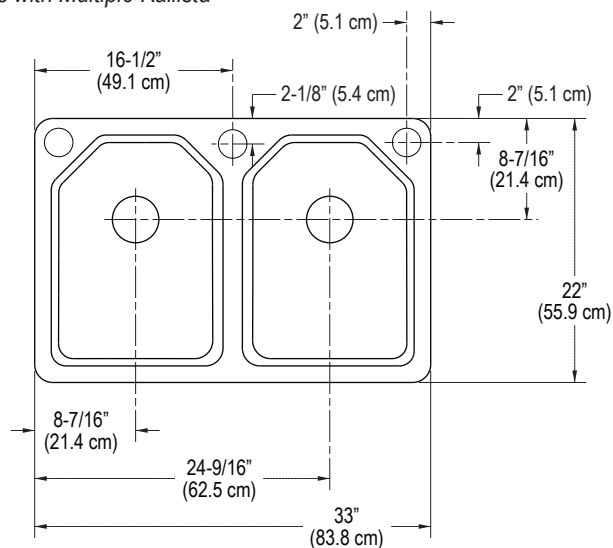
- Double (Equal) Compartment
- Undercounter
- 3-Hole (Oversized)
- Undermount Sink Kit 23" (58.4 Cm) Included
- Bottom Basin Racks Included
- Acid-Resistant Enamel Finish
- 30-5/16" (77 cm) x 19-1/4" (48.9 cm)
- Coordinates with Multiple Kallista Collections

CODES/STANDARDS APPLICABLE

Specified model meets or exceeds the following:

- ASME A112.19.1M
- IAPMO/UPC
- CSA B45
- CSA International

L20305



PRODUCT INFORMATION

Fixture*:	
Basin Area	14-5/16" (36.4 cm) x 19-1/4" (48.9 cm)
Water Depth	9" (22.9 cm)
Drain Holes	3-7/8" (9.8 cm) D.
Faucet Holes	2-3/8" (6 cm) D.
*Approximate Measurements For Comparison Only	
Included Components:	
Includes two (2) bottom basin racks with one (2) packs each of white and black feet. For each (1) additional or replacement rack, which fits in the left or right basin, order part numbers 1142920 (rack) and 1142921 (white feet) or 1142922 (black feet).	
Cutout Template	1143147-7

SPECIFIED MODEL

Model	Description	Finishes		
L20305-00	Cast Iron Undercounter Kitchen Sink	<input type="checkbox"/> 0 Stucco White	<input type="checkbox"/> 96 Linen	<input type="checkbox"/> 7 Jet Black
Recommended Accessory				
P34000-00	Duostrainer Sink Strainer with Tailpiece	<input type="checkbox"/> CP Polished Chrome	<input type="checkbox"/> AD Nickel Silver	<input type="checkbox"/> AG Brushed Nickel

We reserve the right to make revisions without notice in the design of products or in packaging unless this right has specifically been waived at the time the order is accepted.