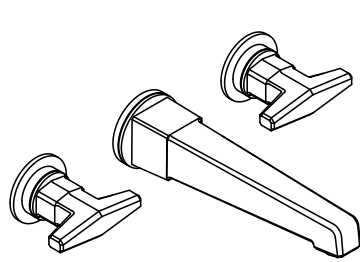
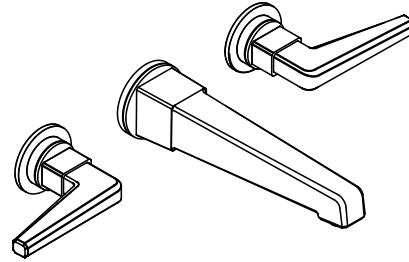


INSTALLATION INSTRUCTIONS



P24510 -TT



P24510 -LV

INSTALLATION INSTRUCTIONS

THANK YOU FOR CHOOSING KALLISTA

We appreciate your commitment to Kallista quality products. Please take a moment to review this manual before you install your Kallista product. If you encounter any installation or performance problems, please do not hesitate to contact us at the phone number listed at the bottom of the page.

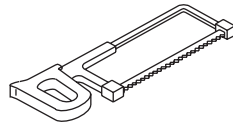
BEFORE YOU BEGIN

- Shut off the main water supply.
- Observe all local plumbing and building codes.
- If needed, complete the finished wall before beginning this installation.
- Kallista reserves the right to make revisions in the design of products without notice, as specified in the Price Book.

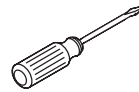
TOOLS AND MATERIALS



Pencil



Hacksaw



Screwdriver



Measuring Tape



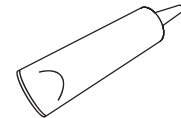
T-Handle 7/64"
Allen Wrench



2.5 mm
Allen Wrench



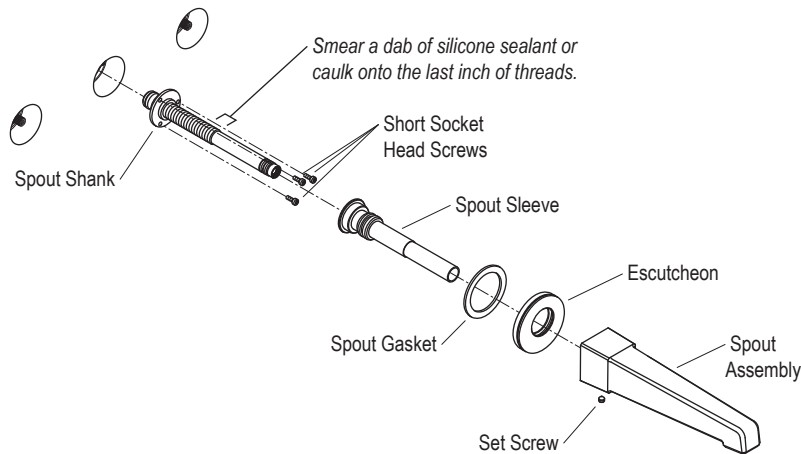
Shower Valve
Socket Wrench



Silicone
Sealant

INSTALLATION INSTRUCTIONS

1. SPOUT ASSEMBLY



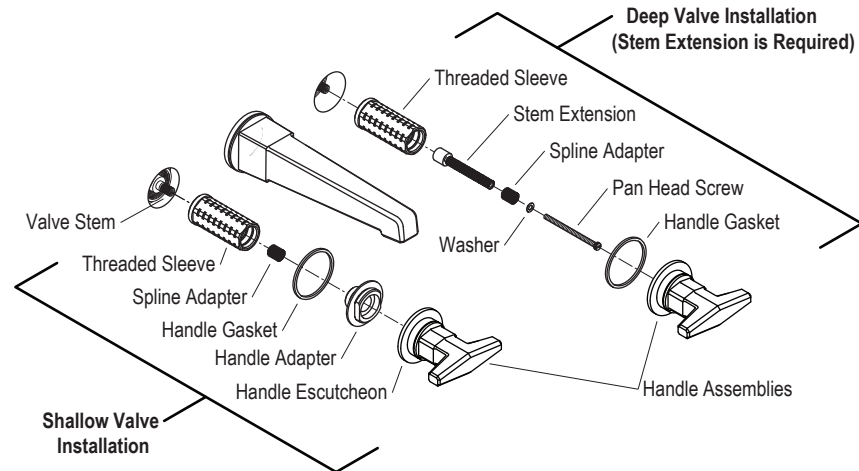
- Remove the spout shank, spout sleeve, and escutcheon from the spout assembly.

NOTE: To avoid dropping the screws behind the finished wall, use a magnetic wrench or tape the screw to the wrench. (A T-handle Allen wrench is recommended.)

- Attach the spout shank to the valve with the three short socket head screws (provided).
- Smear a dab of silicone sealant or caulk onto the last inch of threads on the spout shank.
- Thread the spout sleeve onto the spout shank until it touches the finished wall.
- Ensure that the spout gasket is installed in the escutcheon.
- Slide the escutcheon over the spout sleeve so that the gasket touches the finished wall, and the KALLISTA logo is facing down.
- Slide the spout assembly over the spout sleeve and orient it so that the aerator is pointing down.
- Secure the spout by firmly tightening the set screw.
- If desired, apply a bead of clear silicone around the escutcheon.

INSTALLATION INSTRUCTIONS

2. HANDLE ASSEMBLY



NOTE: Handle installation procedure will vary depending on the depth of the valve in the wall.

- Remove the threaded sleeve from the handle assembly.

NOTE: Use caution to avoid dropping the threaded sleeve behind the finished wall. (A shower valve socket wrench is recommended.)

- Thread the threaded sleeve all the way into the valve.
- Make a mark on the threaded sleeve flush with the finished wall.
- Remove the threaded sleeve and cut off at the mark.
- Repeat procedure with other threaded sleeve.

NOTE: If the valve stem protrudes beyond the finished wall, determine if the stem extension is required by installing a spline adapter on the valve stem. Remove the handle adapter from the handle assembly and place the handle assembly over the valve stem so that the handle escutcheon is flush against the wall. If the spline adapter sufficiently engages the spline in the handle assembly, the stem extension is not required.

If the stem extension is not required:

- Cut the handle adapter at the groove in the threads.
- Re-install the handle adapter into the handle assembly.

If the stem extension is required:

- Remove the spine adapter from the valve stem, if present.
- Place the stem extension onto the valve stem.
- Make a mark on the stem extension 9/16" beyond the finished wall.
- Remove the stem extension and cut off at the mark.
- Measure the cut-off piece of the stem extension. Cut off an equal length from the pan head screw.
- Repeat procedure with other stem extension and pan head screw.
- Re-install the stem extension onto the valve.

INSTALLATION INSTRUCTIONS

HANDLE ASSEMBLY (CONT'D)

- Install a spline adapter onto the end of the stem extension.

For all installations:

- Ensure that both valves are turned off (hot = counterclockwise to close, cold = clockwise to close).
- With the handle positioned horizontally, engage the internal spline in the handle assemblies with the spline adapter on the valve stem or stem extensions.
- Check the handles for proper horizontal orientation. If necessary, remove handle assemblies, stem extensions and/or spline adapters. Rotate stem extensions and/or spline adapters slightly and re-install. Re-install handle assemblies and check for proper orientation. Repeat until proper orientation is achieved.
- When proper orientation is achieved, remove the handle assemblies and set aside.
- Secure the stem extensions to the valve with the washer and the pan head screw.

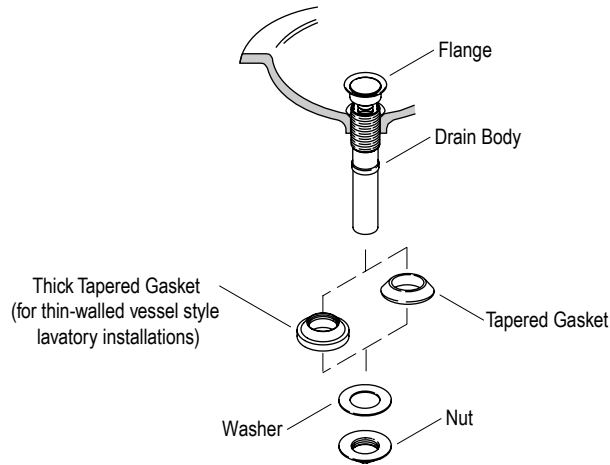
NOTE: Use caution to avoid dropping the threaded sleeve behind the finished wall. (A shower valve socket wrench is recommended.)

- Install both threaded sleeves into the valve, using the correct size shower valve socket wrench.
- Thread the handle assemblies onto the threaded sleeves by holding the handle with one hand and tightening the escutcheons with the other.

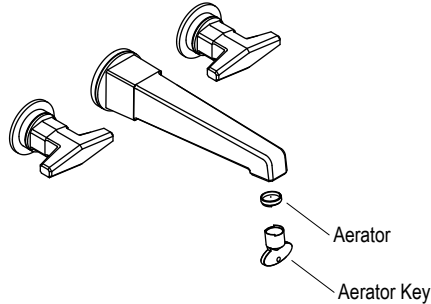
NOTE: A rubber glove can be worn to achieve a better grip while tightening and to prevent damage to the finish.

INSTALLATION INSTRUCTIONS

3. INSTALL THE DRAIN



- If present, remove the protective plastic cap from the drain and discard.
- Remove the nut, washer, and gasket from the drain body.
- Apply a bead of plumbers putty or other sealant around the underside of the flange according to the sealant manufacturer's instructions.
- For drains with metal stoppers: Close the drain and rotate the drain body until the logo is positioned horizontally.
- Insert the drain into the drain hole and press into place.
- Slide the gasket (tapered side up) onto the drain body.
- Slide the washer over the threads on the drain body.
- Thread the nut up the drain body until snug against the underside of the lavatory. Use care not to rotate the drain while tightening the nut.
- Using a wrench, tighten the nut.
- Remove any excess putty or sealant.
- Connect the P-trap to the drain body.

INSTALLATION INSTRUCTIONS**4. INSTALLATION COMPLETION**

- Ensure that both faucet handles are turned off (hot = counterclockwise to close, cold = clockwise to close).
- Turn on the water supplies and check the installation for leaks.
- Repair as needed.
- Remove the aerator with the aerator key.
- Open the valves and run water through the spout for about a minute to remove any debris.
- Turn the valves off, and reinstall the aerator.
- Retain the aerator key for future use.