

FEATURES

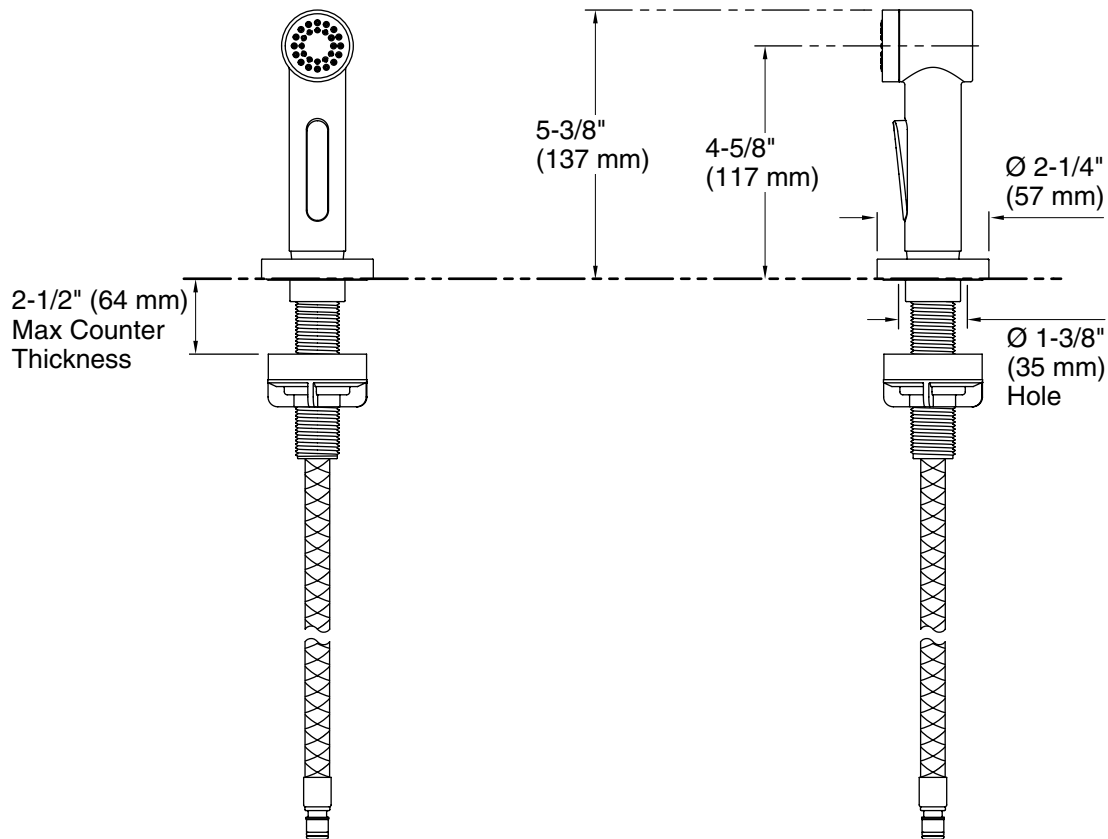
- Solid brass construction for durability and reliability
- Flexible connections and quick connect fitting for easy installation
- One touch spray actuation
- Securely snaps back into escutcheon when not in use
- Easy to clean sprayface resists mineral buildup
- Balljoint technology for ease of movement
- Single-function spray
- Greater thread allows product to be used with up to 2-1/2" (64 mm) countertop material
- Complements the One kitchen faucet collection

CODES/STANDARDS APPLICABLE

Specified model meets or exceeds the following:

- ADA
- ICC/ANSI A117.1
- NSF 61
- ASME A112.18.1/CSA B125.1
- Energy Policy Act of 1992
- All applicable US Federal and State material regulations

P25210



SPECIFIED MODEL

Model	Description	Finishes		
P25210-00	One Sidespray	<input type="checkbox"/> CP Polished Chrome	<input type="checkbox"/> AD Nickel Silver	<input type="checkbox"/> AG Brushed Nickel
		<input type="checkbox"/> GN Gunmetal	<input type="checkbox"/> ULB Unlacquered Brass	<input type="checkbox"/> BL Matte Black

We reserve the right to make revisions without notice in the design of products or in packaging unless this right has specifically been waived at the time the order is accepted.