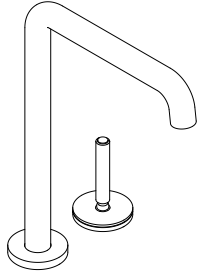


INSTALLATION INSTRUCTIONS



P25201

INSTALLATION INSTRUCTIONS

THANK YOU FOR CHOOSING KALLISTA

We appreciate your commitment to Kallista quality products. Please take a moment to review this manual before you install your Kallista product. If you encounter any installation or performance problems, please do not hesitate to contact us at the phone number listed at the bottom of the page.

BEFORE YOU BEGIN

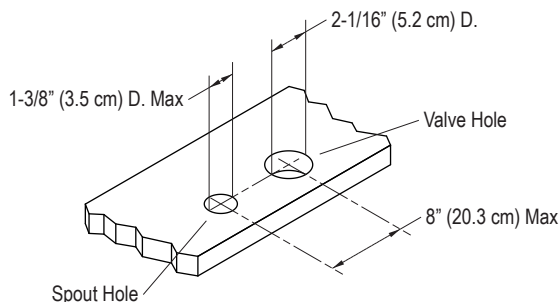
CAUTION: Risk of fresh water contamination. To prevent water contamination, do not remove any components from this faucet. This faucet contains back-siphonage protection.

NOTICE: Due to the non-standard 2" (5.1 cm) diameter of the remote valve, the remote valve cannot be mounted through a standard 1-3/8" (3.5 cm) faucet hole of a sink. Instead, choose a sink without faucet holes then mount the faucet and remote valve through the countertop. Refer to the countertop manufacturer for proper hole drilling.

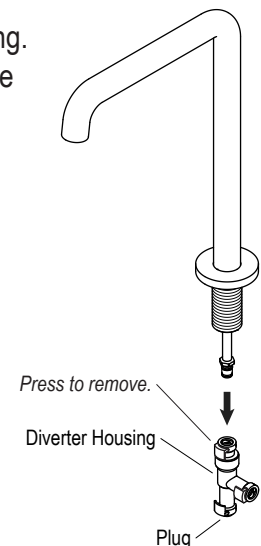
- Observe all local plumbing and building codes.
- Shut off the water supplies.
- Inspect waste and supply tubing for damage. Replace if necessary.
- Before installation, unpack the faucet and inspect for damage.
- For new installations, assemble the faucet to the sink before installing the sink.
- Kallista reserves the right to make revisions in the design of faucets without notice, as specified in the Price Book.

INSTALLATION

- 1. NOTE:** Locate the remote valve within 8" (20.3 cm) of the spout. Refer to the countertop manufacturer for proper hole drilling.



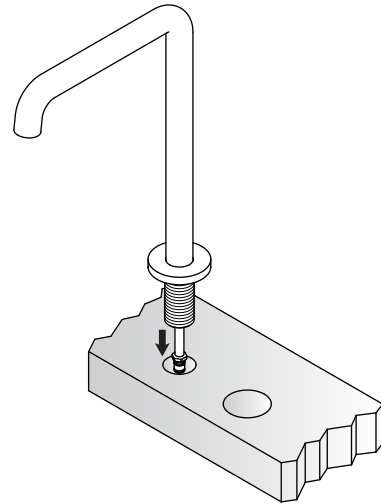
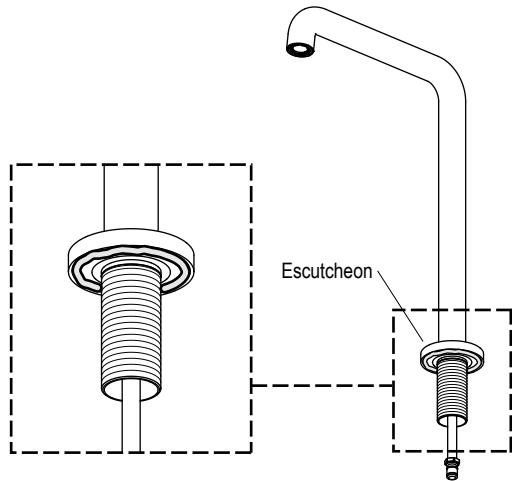
- 2. Remove the diverter housing.**
NOTE: DO NOT remove the plug for the optional sidespray.



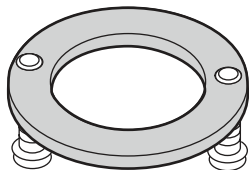
INSTALLATION INSTRUCTIONS

INSTALLATION

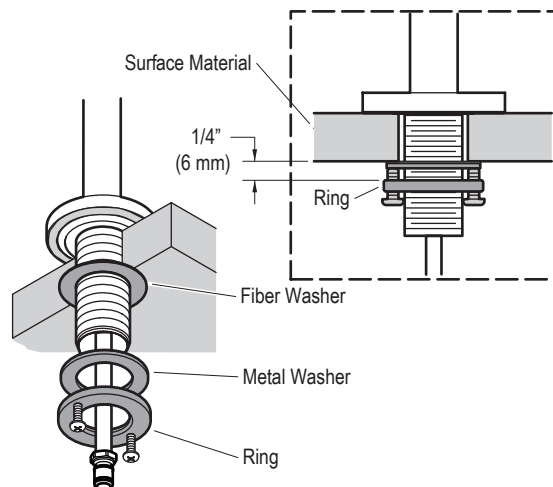
- 3.** Apply plumbers putty to underside of escutcheon. **4.** Insert the faucet through the surface material.



- 5.** Partially thread screws into the ring.



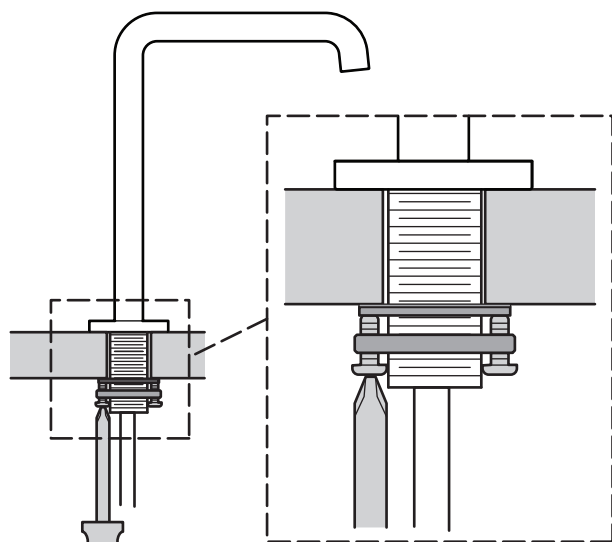
- 6.** Slide the fiber and metal washers onto the faucet shank. Thread the ring leaving approximately 1/4" (6 mm) between the ring and the surface material.



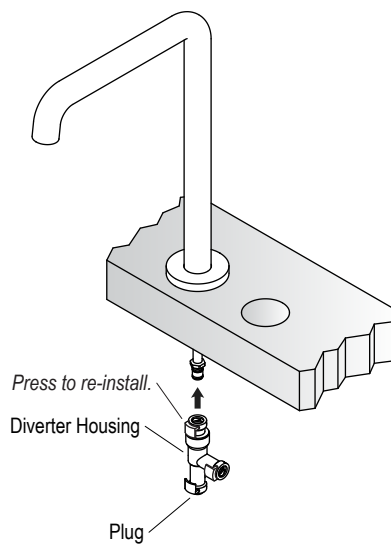
INSTALLATION INSTRUCTIONS

INSTALLATION

7. Turn the ring until the screws are to the front and back. Tighten the screws securely and evenly.



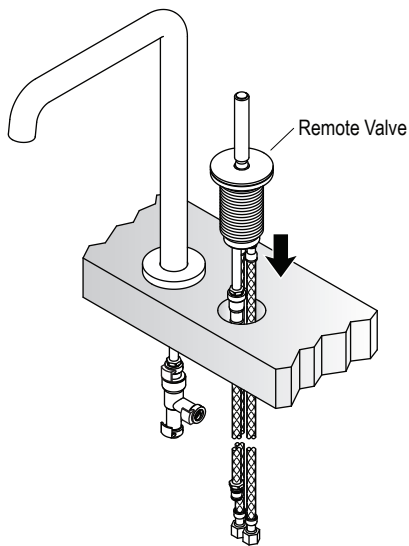
8. Re-install the diverter housing.
NOTE: DO NOT remove the plug for the optional sidespray.



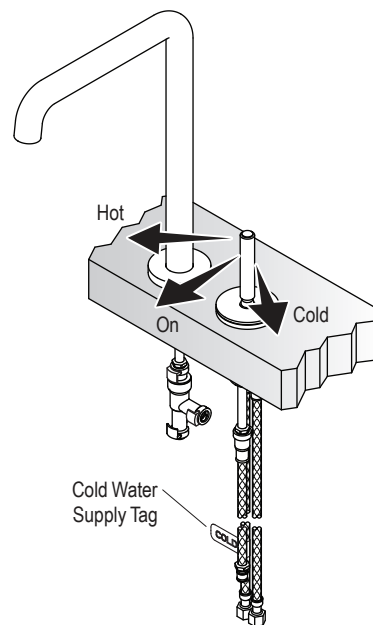
INSTALLATION INSTRUCTIONS

INSTALLATION

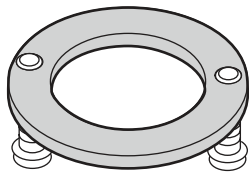
- 9.**
- a.** Apply plumbers putty to underside of remote valve.
 - b.** Insert the remote valve through the surface material.



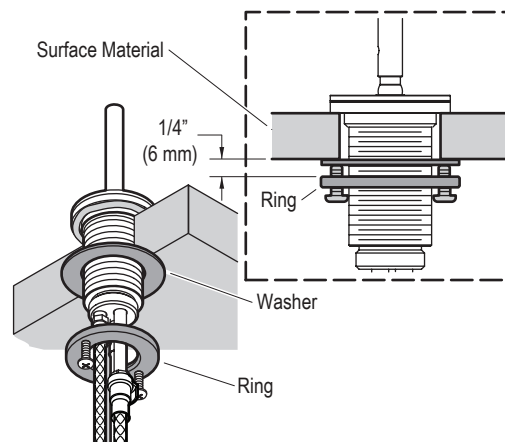
- 10.** Position the remote valve with the cold water supply on the left AND the spout connection toward the front of the sink.
- NOTE:** When the lever is pulled toward the front of the sink, the red and blue markings on the escutcheon will be revealed.



- 11.** Partially thread screws into the ring.



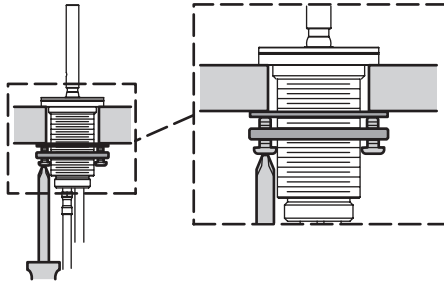
- 12.** Slide the washer onto the remote valve shank. Thread the ring leaving approximately 1/4" (6 mm) between the ring and the surface material.



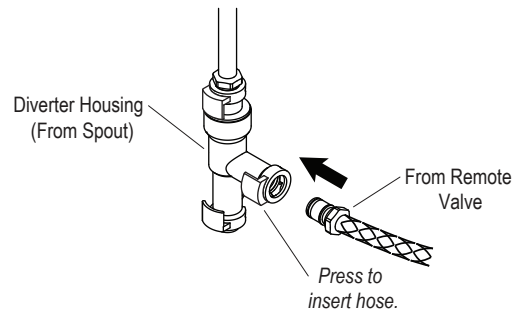
INSTALLATION INSTRUCTIONS

INSTALLATION

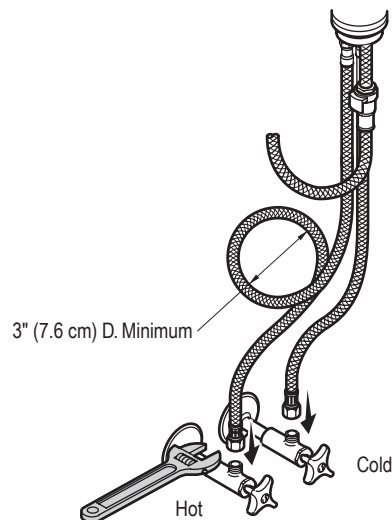
- 13.** Turn the ring until the screws are to the front and back. Tighten the screws securely and evenly.



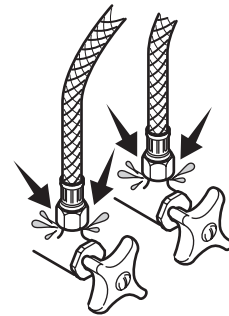
- 14.** Connect the hose from the remote valve to the diverter housing.



- 15.** Connect and tighten the supply hoses.
NOTE: If the sink installation requires that you coil the supply hoses, maintain a 3" (7.6 cm) diameter minimum inside coil.



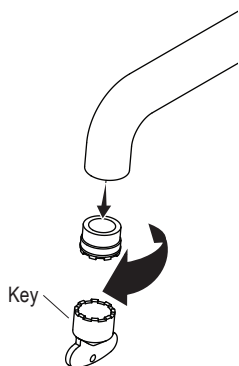
- 16.** Check for leaks.



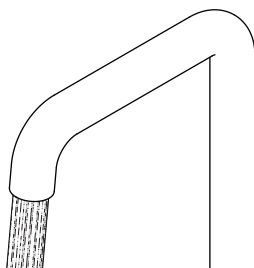
INSTALLATION INSTRUCTIONS

INSTALLATION

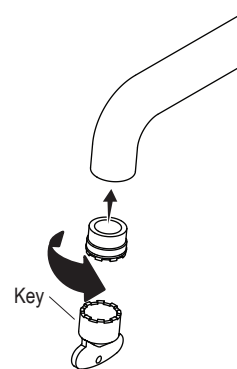
17. Remove the aerator.



18. Flush the lines.



19. Reinstall the aerator. DO NOT overtighten. **NOTE:** Retain the key for future use.



20. If using optional sidespray (purchased separately), remove plug from diverter and install sidespray according to manufacturer's instructions.

