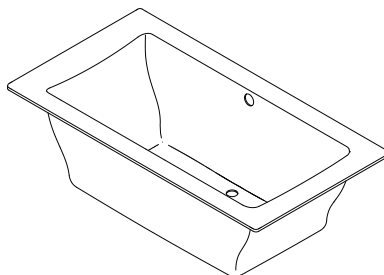


KALLISTA® Perfect 69" x 37" Drop-in Acrylic Bath

INSTALLATION INSTRUCTIONS



P50045

INSTALLATION INSTRUCTIONS

THANK YOU FOR CHOOSING KALLISTA

We appreciate your commitment to Kallista quality products. Please take a moment to review this manual before you install your Kallista product. If you encounter any installation or performance problems, please do not hesitate to contact us at the phone number listed at the bottom of the page.

TOOLS AND MATERIALS



Safety Glasses



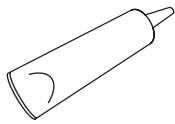
Tape Measure



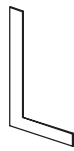
Pencil



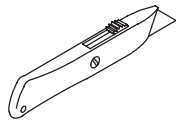
Level



Silicone Sealant



Square



Knife

Conventional woodworking tools and materials

Plus: • Drop cloth

- Plastic liner (optional)
- 2x4s or 2x6s
- Construction adhesive (optional)
- Cement or mortar (optional)
- Water-resistant wall material
- Rags

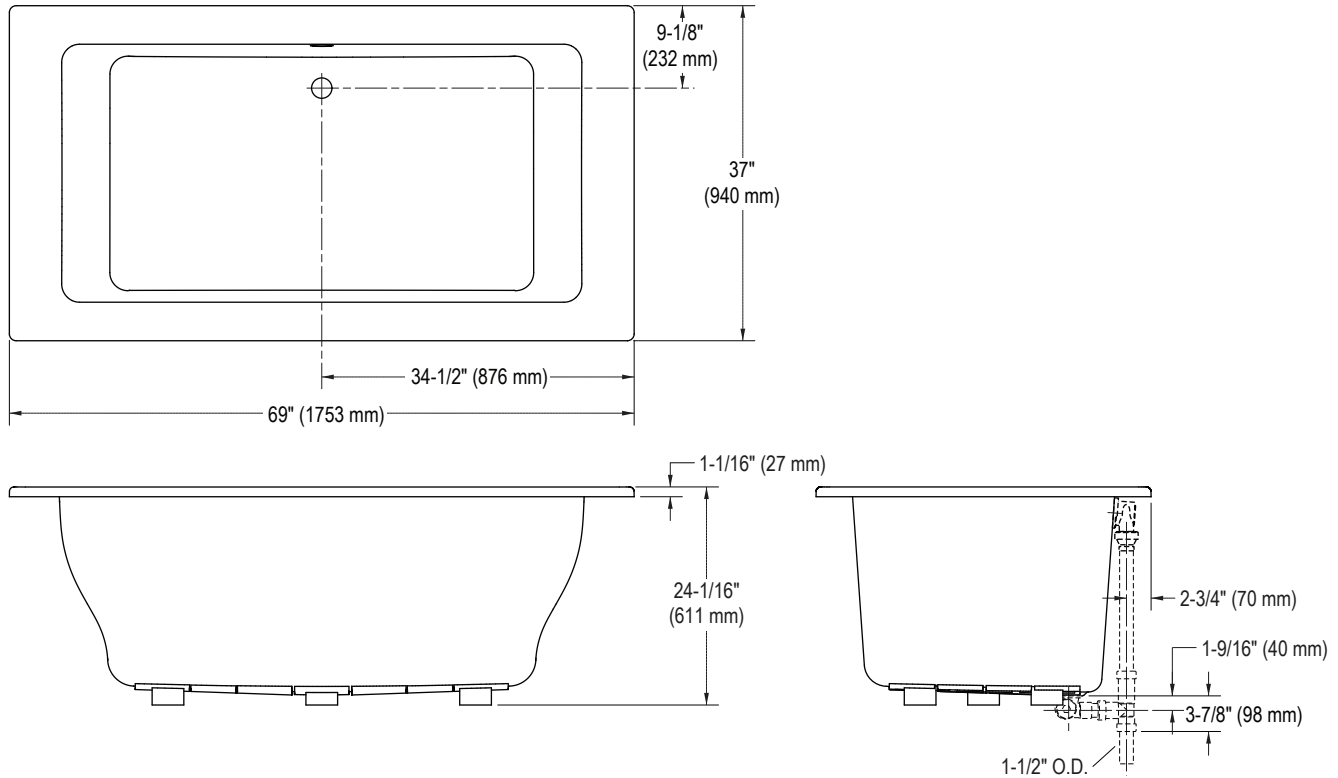
BEFORE YOU BEGIN

CAUTION: Risk of property damage. Do not support the bath by the rim. The bath must be supported by the leveling blocks only or bath base, depending upon your bath model.

- Observe all local plumbing and building codes.
- Carefully plan moving the bath into the installation area. This bath will not easily fit through doorways.
- When planning the installation area, provide access to all final plumbing connections for servicing. To ensure a successful installation, the floor must be level.
- Adequate floor support must be provided. Consult the rough-in information section of this publication for specific floor loading requirements.
- If the finished wall material will come into contact with any top surface of the bath, it is recommended that tiling-in bead be installed. The tiling-in bead prevents water from seeping behind the wall and allows for an alcove installation of many drop-in baths when a flanged version is not available.
- The basin area requires no additional support when the subfloor is level and square with the stud framing. Consider using shims for additional support if the subfloor is uneven.
- Provide properly dimensioned framing.
- The illustrations shown may not represent your actual product. The installation instructions still apply.
- This bath conforms to ANSI standard Z124.1.2. All dimensions are nominal.
- Kallista reserves the right to make revisions in the design of products without notice, as specified in the Price Book.

INSTALLATION INSTRUCTIONS

1. ROUGH-IN INFORMATION



PRODUCT INFORMATION

Fixture*:	Top Area	Inside Area	Weight
Bathing Well	57-3/8" (1457 mm) x 28-3/4" (730 mm)	46-3/4" (1187 mm) x 25-3/4" (654 mm)	95 lbs (43.1 kg)
	Water Depth	Capacity	
To Overflow	17-7/8" (454 mm)	103 gal (389.9 L)	

*Approximate Measurements For Comparison Only

ROUGHING-IN NOTES

No change in measurements if connected with required drain illustrated.

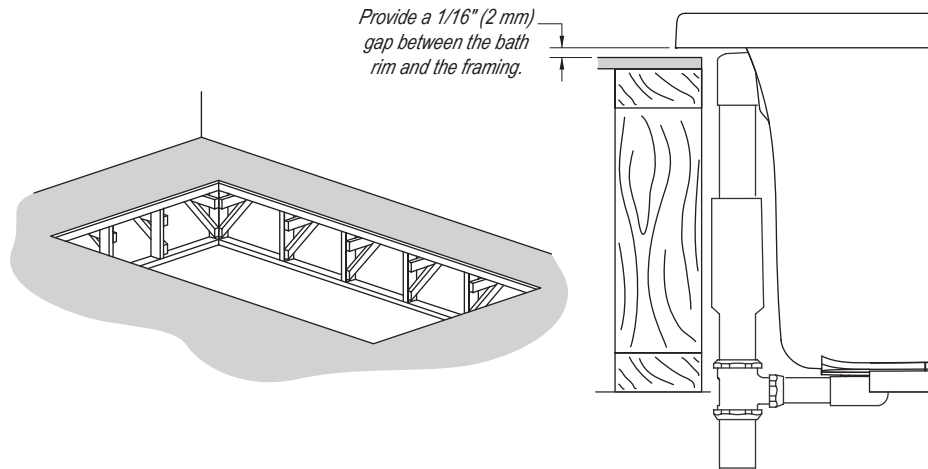
Drop-in cutout 68" (1727 mm) x 36" (914 mm)

Floor support under bath must provide for a minimum of 1200 lbs. (544.3 kg) loading.

Hot water supply should be 70% of capacity or greater. Installations will vary.

INSTALLATION INSTRUCTIONS

2. PREPARE THE SITE



Flooring

NOTICE: Adequate floor support must be provided. Consult the rough-in information section of this publication for specific floor loading requirements.

- Install adequate floor support.

NOTICE: To ensure a successful installation, it is critical that bath be installed on a level subfloor.

- Verify the subfloor is level. Adjust for level, if necessary.

Framing

⚠ CAUTION: Risk of property damage. Do not support the bath by the rim. The bath must be supported by the leveling blocks only or bath base, depending upon your bath model.

NOTICE: To ensure the bath does not rest on the rim, a 1/16" (2 mm) gap must exist between the framing and the underside of the rim. When constructing the framing, take into account the gap and the thickness of the finished wall/deck material.

- Construct the framing according to the rough-in information section of this publication. Ensure a 1/16" (2 mm) gap will exist between the framing and the underside of the rim.

Plumbing

NOTE: For through-the-floor drain installations: A drain hole will need to be cut to accommodate the drain connections. **For above-the-floor drain installations:** A hole will not need to be cut.

- Position the plumbing according to the rough-in information section of this publication.
- Cap the supplies and check for leaks. Provide a 1/16" (2 mm) gap between the bath rim and the framing.
- Attach the drain to the bath according to the drain manufacturer's instructions. Do not connect the trap at this time.
- Place a clean drop cloth on the bottom of the basin area. This will prevent the surface of the bath from scratching during the installation process.

INSTALLATION INSTRUCTIONS

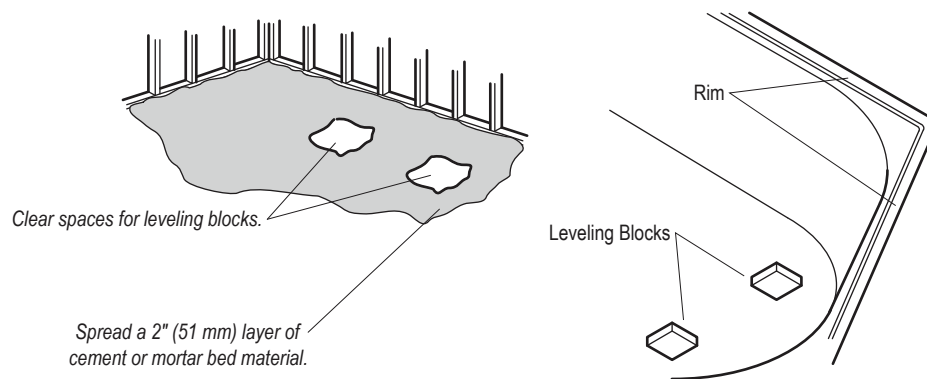
3. INSTALL THE TILING-IN BEAD (OPTIONAL)

NOTICE: Tiling-in bead should be installed if the finished wall material will come into contact with any top surface of the bath. The tiling-in bead prevents water from seeping behind the wall and allows for an alcove installation of many drop-in baths when a flanged version is not available.

NOTICE: The bottom edge of the tiling-in bead may have to be trimmed. This will ensure a proper fit in the installation location.

- Thoroughly clean the bath rim.
- Install the tiling-in bead. Refer to the manufacturer's instructions for proper installation.

4. SECURE THE BATH



⚠ WARNING: Risk of personal injury. Do not lift the bath by the rim. Lift the bath from the bottom only.

NOTICE: The bath must be secured using one of the following three methods: cement or mortar bed, construction adhesive, or silicone sealant.

NOTICE: Ensure the subfloor is level before proceeding. If necessary, use shims to achieve level.

Cement or Mortar Bed Method

- Spread a 2" (51 mm) thick layer of cement or mortar on the subfloor except where the leveling blocks will be located.
- Clear any cement or mortar away from the leveling block locations.
- Place a plastic liner or similar material over the cement or mortar.
- With help, carefully move the bath into the installation area.
- Verify the leveling blocks are resting directly on the subfloor. Reposition as needed.
- Verify the bath is level across the top of the bath. If the bath is not level, shims must be used under the leveling blocks.
- Connect the drain tailpiece to the trap.

INSTALLATION INSTRUCTIONS

SECURE THE BATH (CONT.)

Construction Adhesive Method

- Apply a generous amount of high-quality construction adhesive to the bottom of the leveling blocks.
- With help, carefully move the bath into the installation area.
- Verify the leveling blocks are resting directly on the subfloor. Reposition or shim as needed.
- Verify the bath is level across the top of the bath. If the bath is not level, shims must be used under the bath.
- Connect the drain tailpiece to the trap.

Silicone Sealant Method

- With help, carefully move the bath into the installation area.
- Verify the leveling blocks are resting directly on the subfloor. Reposition or shim as needed.
- Verify the bath is level across the top of the bath. If the bath is not level, shims must be used under the bath.
- Connect the drain tailpiece to the trap.
- Apply a continuous bead of silicone sealant around the entire rim of the bath.

6. INSTALL THE PLUMBING



CAUTION: Risk of property damage. A watertight seal must exist on all bath drain connections. The watertight seal will prevent property damage.

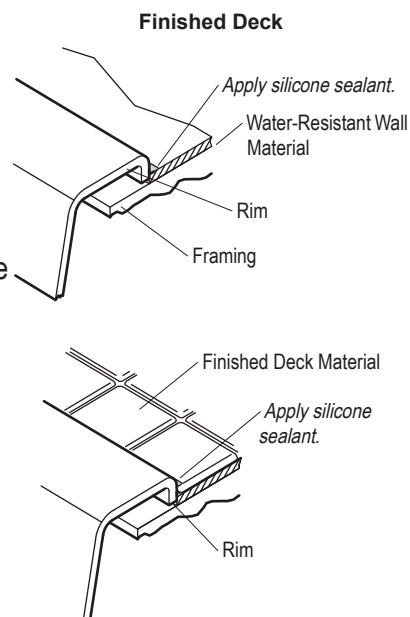
- Connect the trap to the drain.
- Install the faucet valving according to the faucet manufacturer's instructions. Do not install the faucet trim at this time.
- Open the hot and cold water supplies. Check all connections for leaks. Run water into the bath. Check the drain connections for leaks.
- Fill the bath to the overflow. Check for leaks

INSTALLATION INSTRUCTIONS

7. COMPLETE THE INSTALLATION

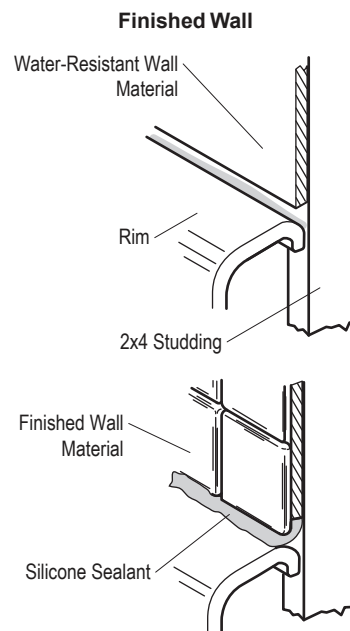
For Finished Deck Installations

- If applicable, carefully remove the protective tape from the bath rim.
- Cover the framing with water-resistant deck material.
- Using silicone sealant, seal the joints between the bath rim edges and the water-resistant deck material.
- Tape and mud the water-resistant deck material. Install the finished deck material 1/16" (2 mm) away from the rim. This will create a groove to apply the silicone sealant.
- Apply a bead of silicone sealant in the groove between the finished deck and the rim.



For Finished Wall Installations

- If applicable, carefully remove the protective tape from the bath rim.
- Cover the framing with water-resistant wall material.
- Apply a bead of silicone sealant in the groove between the edge of the bath deck and the water-resistant wall material.
- Tape and mud the water-resistant wall material. Install the finished wall material 1/4" (6 mm) above the bath deck. This will create a groove to apply the silicone sealant.
- Apply a bead of silicone sealant in the groove between the finished wall and the rim.



For All Installations

- Install the faucet trim according to the manufacturer's instructions.