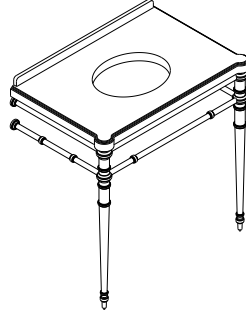


INSTALLATION INSTRUCTIONS



P74300, P74301

INSTALLATION INSTRUCTIONS

THANK YOU FOR CHOOSING KALLISTA

We appreciate your commitment to Kallista quality products. Please take a moment to review this manual before you install your Kallista product. If you encounter any installation or performance problems, please do not hesitate to contact us at the phone number listed at the bottom of the page.

BEFORE YOU BEGIN

- Observe all local building codes.
- Prior to installation, unpack the new lavatory and console and inspect them for damage. Return the lavatory and console to their protective cartons until you are ready to install them.
- These instructions are for installing the console table to wood frame construction. For other installations, supply suitable bracing and fastening devices of sufficient size and strength.
- Sufficient support behind the finished wall, such as 2x6 wall bracing, is required for proper installation.
- This installation is designed to be done with a minimum of two people. Do not install this fixture alone.
- All dimensions given assume that the floor and walls are square, plumb, and level. Make appropriate adjustments for other conditions.
- Kallista reserves the right to make revisions in the design of products without notice, as specified in the Price Book.

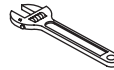
TOOLS AND MATERIALS



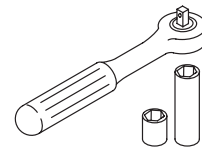
Tape Measure



Assorted Screwdrivers



Adjustable Wrench



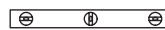
Socket Wrench W/Sockets



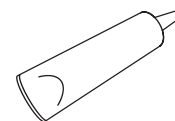
Pencil



Drill



Level

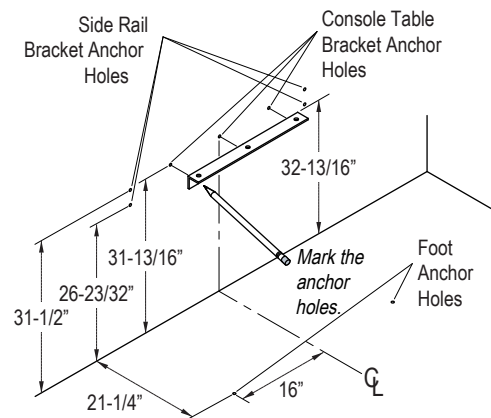
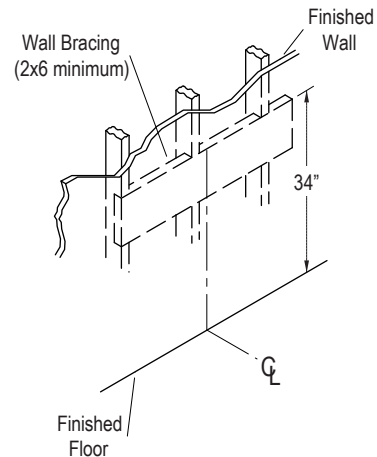


Silicone Sealant

INSTALLATION INSTRUCTIONS

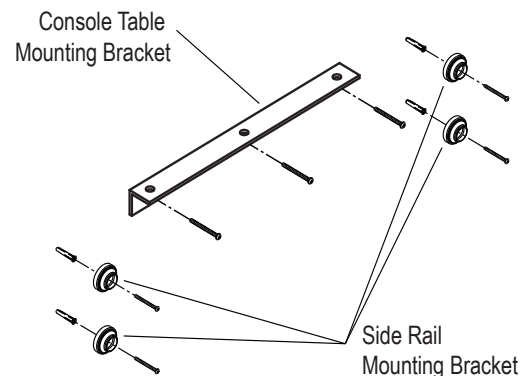
1. PREPARE THE SITE

- Rough-in the water supply lines and the drain piping.
- Install a minimum of a 2x6 as a wall brace to provide support for the wall bracket. The brace should be the same length as the console table, 36" and should be positioned 32" from the finished floor to the top edge of the board. The center of the wall brace should be in-line with the drain outlet.
- Finish the wall.
- Mark the centerline on the floor and the wall.
- Mark the anchor holes on the wall for the side rail mounting brackets.
- Mark the anchor holes for the console table mounting bracket on the wall by holding the bracket up to the finished wall so that the center of the bracket lines up with the centerline. Mark the location of the anchor holes with a pencil.
- Mark the location of the holes on the floor for the feet anchors.
- Drill two holes 5/16" D. x 1/2" deep, in the finished floor for each foot anchor. The holes should be 21-1/4" from the wall and 16" from the centerline.



2. INSTALL THE MOUNTING BRACKETS

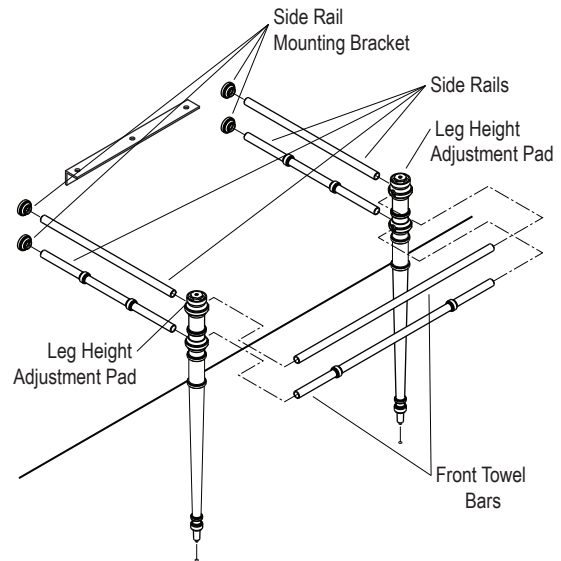
- Install the side rail mounting brackets to the finished wall with fasteners suitable for your wall type.
- Install the console table mounting bracket to the finished wall with fasteners suitable for your wall type.
- Verify the table mounting bracket is level.



INSTALLATION INSTRUCTIONS

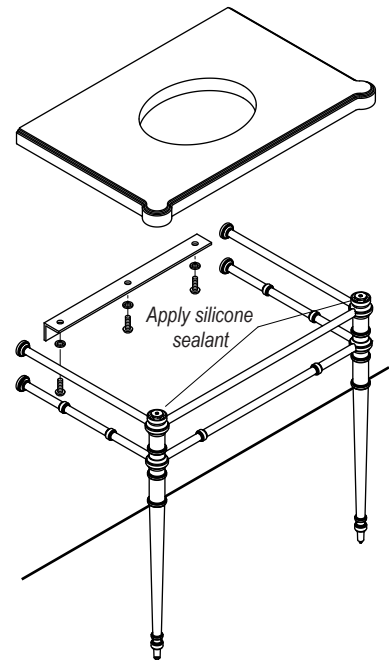
3. ASSEMBLE THE CONSOLE TABLE LEGS

- Insert the front towel bars into the holes in the legs, being sure to engage the towel bars in the O-rings in the legs.
- Insert legs into holes in floor.
- Tilt the legs away from the wall so that a helper can install the side rails into the legs, being sure to engage the side rails in the O-rings in the legs.
- Tilt the legs back to a vertical position, while a helper guides the side rails into the side rail mounting brackets, being sure to engage the side rails in the O-rings in the side rail mounting brackets.
- Adjust the leg height adjustment pads so that the top of the legs are level with each other.



4. INSTALL THE CONSOLE TOP

- Place the console top upside down to install the lavatory.
- NOTE:** When installing the lavatory, use the clips provided with the lavatory and the hardware provided with the console top.
- Install the lavatory.
 - With a partner, pick up the console top and align the holes on the bottom of the console top with the holes on the top of the wall bracket.
 - Verify that the console top is level and re-adjust the height adjustment pads if necessary.
 - Apply silicone sealant where the leg height adjustment pads meet the console top to stabilize it.
 - Thread the supplied washer and Phillips head screw through the bracket into the console top and secure. Do not overtighten.



INSTALLATION INSTRUCTIONS

5. STONE TOP HOLE FABRICATION (OPTIONAL)

- Three faucet holes have been partially drilled from the underside of the console top.
- On the top, show surface, of the console top, locate the center of the required faucet holes. Using a compass or circle template, draw a circle for the required holes.
- Using a small hammer, create the faucet hole(s) by gently tapping the console top within the circles until the stone breaks away.

NOTE: DO NOT strike the console top with too much force. **DO NOT** strike from the bottom side of the console top. This will damage the top surface of the console top.

- Using a file or sanding cylinder, complete the removal of stone material to create a clean round hole.

6. COMPLETE THE INSTALLATION

- Attach backsplash to console table and wall with clear silicone.
- Connect the water supply and check for leaks.

