

## FEATURES

- Solid brass construction for durability and reliability
- Wall-mount
- Pairs with a 2- or 3-way transfer valve configuration
- Allows bather to direct water flow
- Complements the One collection

## CODES/STANDARDS APPLICABLE

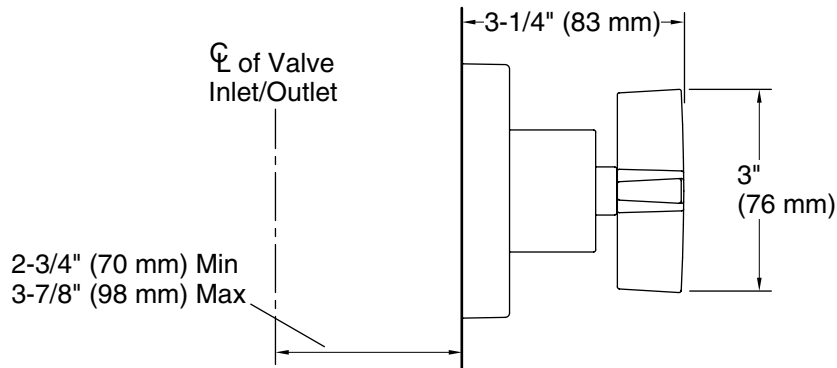
Specified model meets or exceeds the following:

- ASME A112.18.1/CSA B125.1
- ICC/ANSI A117.1
- ADA\*
- OBC\* (lever only)
- CSA B651\* (lever only)

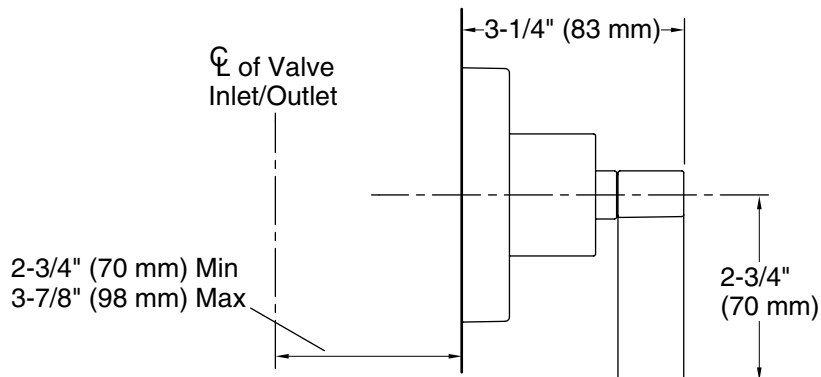
**ADA** **CSA B651** **OBC**

\* Compliant when installed to the specific requirement of this regulation

# P24483



**P24483-CR**



**P24483-LV**

## SPECIFIED MODEL

Model	Description	Finishes		
P24483-CR	One Transfer Trim, Cross Handle	<input type="checkbox"/> CP Polished Chrome	<input type="checkbox"/> AD Nickel Silver	<input type="checkbox"/> AG Brushed Nickel
		<input type="checkbox"/> GN Gunmetal	<input type="checkbox"/> ULB Unlacquered Brass	* BL Matte Black
P24483-LV	One Transfer Trim, Lever Handle	<input type="checkbox"/> CP Polished Chrome	<input type="checkbox"/> AD Nickel Silver	<input type="checkbox"/> AG Brushed Nickel
		<input type="checkbox"/> GN Gunmetal	<input type="checkbox"/> ULB Unlacquered Brass	* BL Matte Black
Required Rough-in				
P29513-00	3-Way Transfer Valve	<input type="checkbox"/> NA		
P29514-00	3-Way Transfer Valve, Eco	<input type="checkbox"/> NA		

\* BL Matte Black available Winter2019

We reserve the right to make revisions without notice in the design of products or in packaging unless this right has specifically been waived at the time the order is accepted.