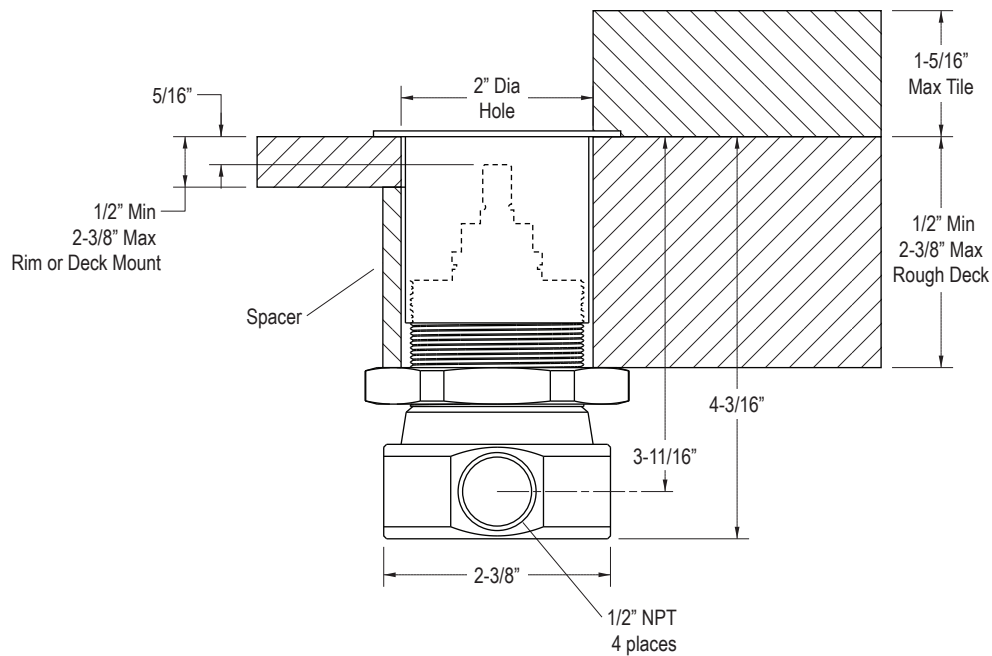
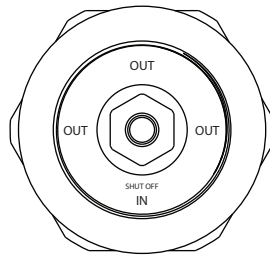


FEATURES

- Brass Construction
- Deck-mount
- Brass valve body
- Single-handle control
- One 1/2" NPT inlet connection
- Three 1/2" NPT outlet connections



SPECIFIED MODEL

Model	Description	Finishes
P29515-00	Deck Diverter Valve	<input type="checkbox"/> NA

We reserve the right to make revisions without notice in the design of products or in packaging unless this right has specifically been waived at the time the order is accepted.