

## INSTALLATION INSTRUCTIONS

P71040

## THANK YOU FOR CHOOSING KALLISTA

We appreciate your commitment to Kallista quality products. Please take a moment to review this manual before you install your Kallista product. If you encounter any installation or performance problems, please do not hesitate to contact us at the phone number listed at the bottom of the page.

## BEFORE YOU BEGIN



**CAUTION: Risk of personal injury or product damage.** Handle with care. Vitreous china can break or chip if the bolts and nuts are overtightened, or if the product is handled carelessly.

- Observe all local plumbing and building codes.
- Prior to installation, unpack the faucet and drain and inspect it for damage. If the product is damaged, please contact Kallista immediately at the phone number listed at the bottom of the page.
- The bidet must be installed with 3/8" hot and cold shut-off valves.
- Refer to the spec sheet for dimensional information.
- Site preparation may require additional tools and hardware.
- Kallista reserves the right to make revisions in the design of plumbing products without notice, as specified in the Price Book.

## TOOLS AND MATERIALS



Tape Measure



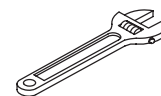
Pencil



Drill



Safety Glasses



Adjustable Wrench



Level



**Plus:**

- 3/16" Drill Bit
- 3/8" Shut-Off Valves

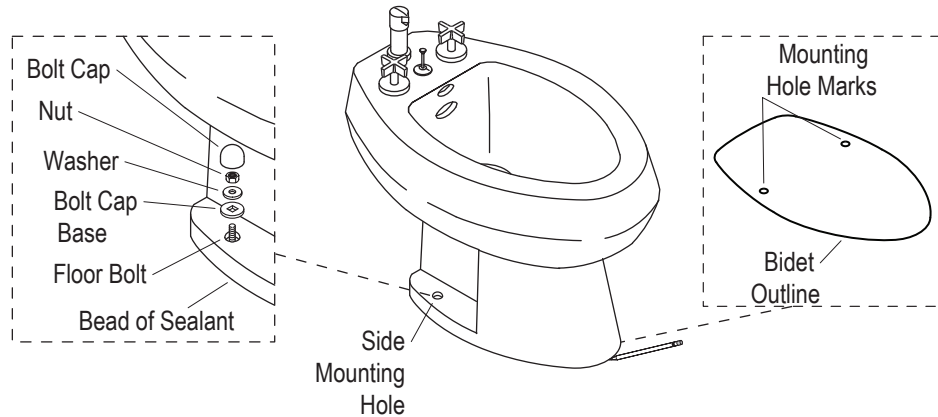
## 1. PREPARATION

- Turn the water supply off.
- Install the hot and cold water supplies, shut-off valves, and trap outlet as necessary to conform to roughing-in dimensions.
- The trap can be installed in the drain line below or above the floor.

## INSTALLATION INSTRUCTIONS

P71040

## 2. INSTALL THE BIDET



- Install the bidet faucet and drain according to the manufacturer's instructions.
- Set the bidet on the floor in its mounting location.
- Trace the outline of the bidet base, and mark the location of the two side mounting holes.
- Remove the bidet from the mounting location.
- Drill two 3/16" holes at the marked side mounting hole locations.
- Thread the floor bolts (included) into the mounting holes.
- Apply a bead of sealant around the base of the bidet, and carefully align the bidet inside the outline drawn on the floor.
- Position the bidet in the mounting location so both of the floor bolts extend through the bidet side mounting holes.



**CAUTION: Risk of personal injury or product damage.** Vitreous china can break or chip easily if the nuts are overtightened or the product is handled carelessly.

- Assemble the bolt cap bases, washers, and nuts. Hand-tighten the nuts, then tighten an additional 1/2-turn with a wrench.
- If the floor bolts extend more than 1/4" from over the top of the nut, loosen the nut and thread the bolt further into the floor. Retighten the nuts, and install the bolt caps.

## 3. COMPLETE INSTALLATION

- Connect the water supplies and drain.
- Turn on the hot and cold shut-off valves. Check the entire installation for leaks. Repair as required.
- Check all connections for leaks for several days.