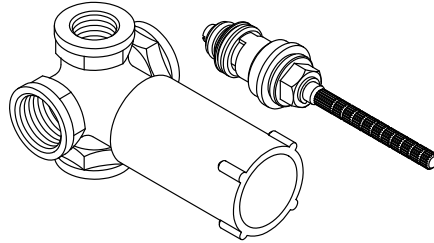


INSTALLATION INSTRUCTIONS




P29011

INSTALLATION INSTRUCTIONS

THANK YOU FOR CHOOSING KALLISTA

We appreciate your commitment to KALLISTA quality products. Please take a moment to review this manual before you install your KALLISTA product. If you encounter any installation or performance problems, please do not hesitate to contact us at the phone number listed at the bottom of the page.

BEFORE YOU BEGIN

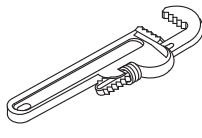
 **WARNING: Risk of personal injury.** This product is a diverter valve only and should never be used as a shut-off valve. Doing so would allow cross flow between the hot and cold water supplies and create a serious scalding hazard.

- Please read all instructions before you begin.
- Observe all local plumbing and building codes.
- Shut off the main water supply.
- The appearance of your product may differ from what is shown in these instructions, however, the installation procedure is the same.
- Carefully read this entire instruction manual before beginning the installation; the illustrations do not show all possible configurations.
- KALLISTA reserves the right to make revisions in the design of products without notice, as specified in the Price Book.

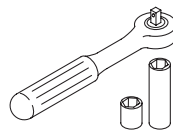
TOOLS AND MATERIALS



Thread
Sealant



Pipe Wrench



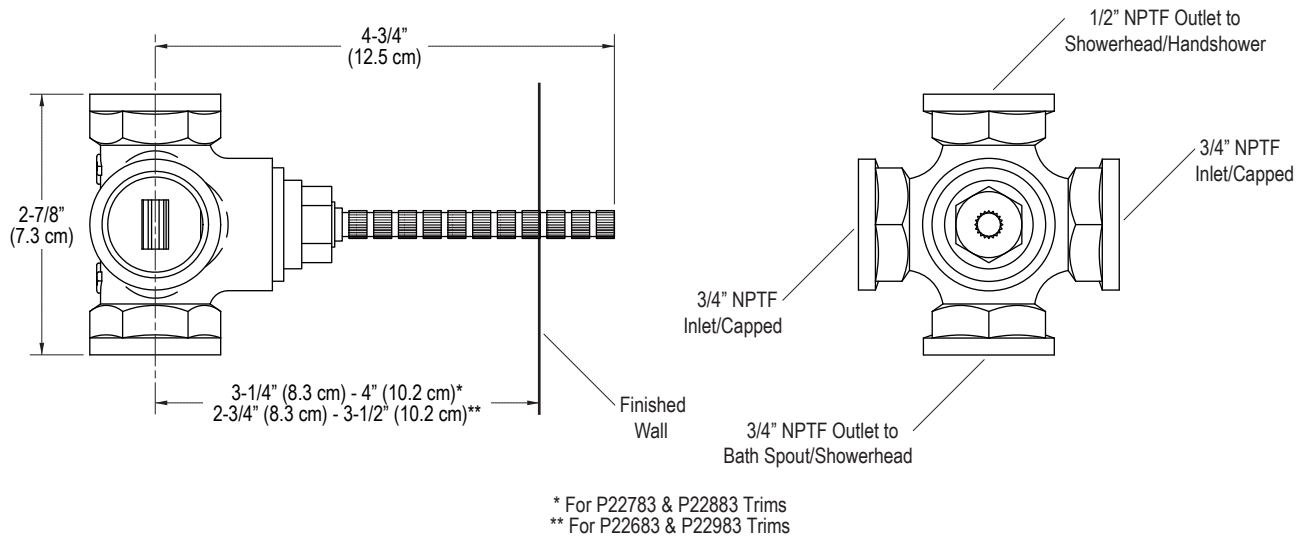
Socket Wrench
W/Sockets



Strap
Wrench

INSTALLATION INSTRUCTIONS

1. DIVERTER CONFIGURATIONS



When diverting between the bath spout and handshower (or showerhead):

- The small port is for the handshower (or showerhead).
- The port directly across from the small port is for the bath spout. Default flow is through this port.
- The remaining two ports are for the mixed water inlet supply. They are interchangeable. Only one of these ports is needed, cap the other port.

When diverting between the showerhead and handshower:

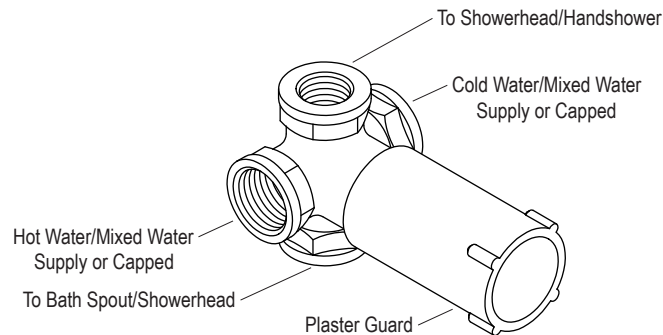
- The small port is for the handshower.
- The port directly across from the small port is for the showerhead. Default flow is through this port.
- The remaining two ports are for the mixed water inlet supply. They are interchangeable. Only one of these ports is needed, cap the other port.

For all diverter installations:

- Verify the location of the components and the orientation of all ports.
- Decide in advance on the location and orientation of the diverter. The locations of the shower and the handshower as well as the direction in which the inlets/outlets point will affect the piping and connectors needed.
- Allow clearance for the valve outlets, handles, and handshower hoses. For use with an optional spout, also allow clearance for the spout connection.

INSTALLATION INSTRUCTIONS

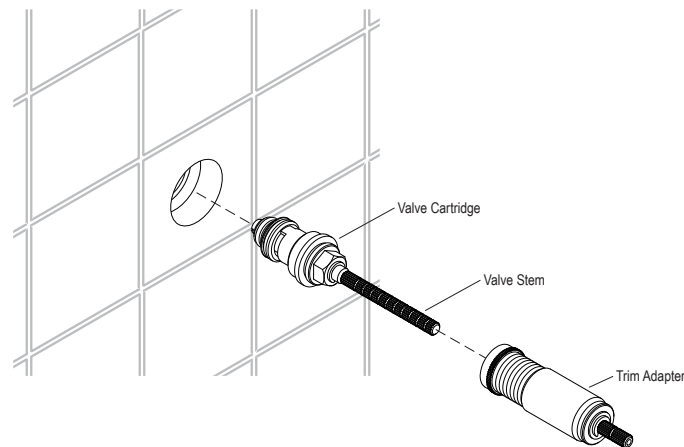
2. INSTALL THE VALVE



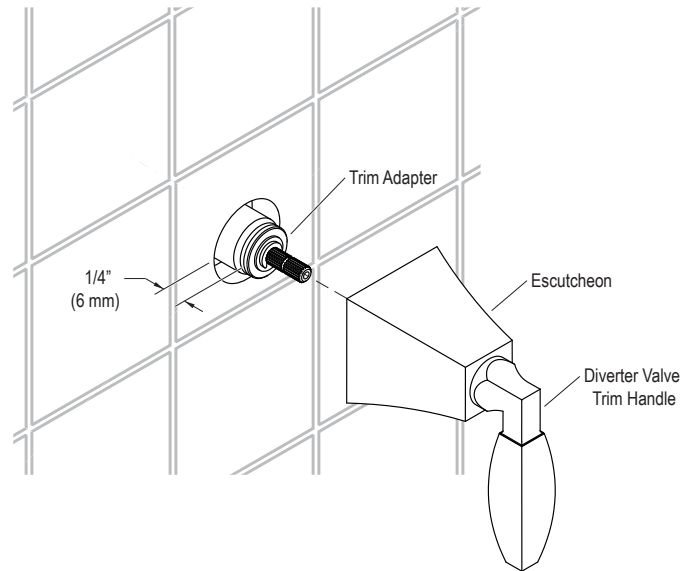
NOTE: Valve body can be roughed in without valve cartridge and telescoping trim adapter installed.

- Dry fit all piping and connectors.
- Connect the piping for the optional spout and/or wall shower and/or handshower.
- Connect the mixed water line to the diverter. Cap the unused inlet port.
- Remove the plaster guard and install the valve cartridge and valve stem.
- Turn on the main water supply and check for leaks and proper operation. Repair as needed.
- Remove the cartridge and valve stem and replace the plaster guard.

3. INSTALL THE CARTRIDGE AND TRIM ADAPTER



- Finish the wall, leaving a hole for the plaster guard.
- Remove the plaster guard and install the valve cartridge and valve stem.
- Adjust and install trim adapter (included with trim) so that threads extend 1/4" from finished wall.

INSTALLATION INSTRUCTIONS**4. INSTALL THE TRIM (PURCHASED SEPARATELY)**

- Orient the diverter valve trim handle as desired.
- Hold the handle with one hand and screw the escutcheon onto trim adapter with the other hand.
- Turn the escutcheon until it is against the wall and oriented as desired.