

INSTALLATION INSTRUCTIONS

P24130-CR, P24130-LV,
P24131-CR, P24131-LV,
P24400-CR, P24400-LV,
P24401-CR, P24401-LV,
P24402-CR, P24402-LV,
P24500-LV, P24500-TT

INSTALLATION INSTRUCTIONS

THANK YOU FOR CHOOSING KALLISTA

We appreciate your commitment to Kallista quality products. Please take a moment to review this manual before you install your Kallista product. If you encounter any installation or performance problems, please do not hesitate to contact us at the phone number listed at the bottom of the page.

BEFORE YOU BEGIN

- The appearance of your product may differ from the illustrations shown in these instructions, however, the installation procedure is the same.
- Shut off the main water supply.
- Observe all local plumbing codes.
- Carefully inspect waste and supply tubing for any sign of damage. Replace if necessary.
- For new installations, install the faucet before installing the lavatory.

TOOLS AND MATERIALS



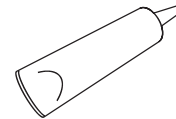
Adjustable
Wrench



Thread
Sealant



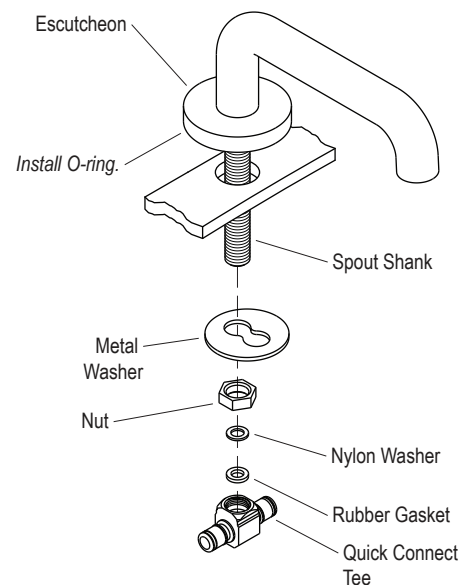
Plumbers
Putty



Silicone
Sealant

1. SPOUT INSTALLATION

- Ensure that the O-ring is installed in the underside of the escutcheon.
- Fit the spout shank through the top of lavatory.
- Install the metal washer and nut. Securely wrench tighten the nut.
- Insert the rubber gasket and nylon washer into the tee. Thread the tee on to the spout shank.
- Hold the spout in position and tighten the tee securely. Do not overtighten.
- If desired, apply a bead of silicone sealant or caulk around the escutcheon.

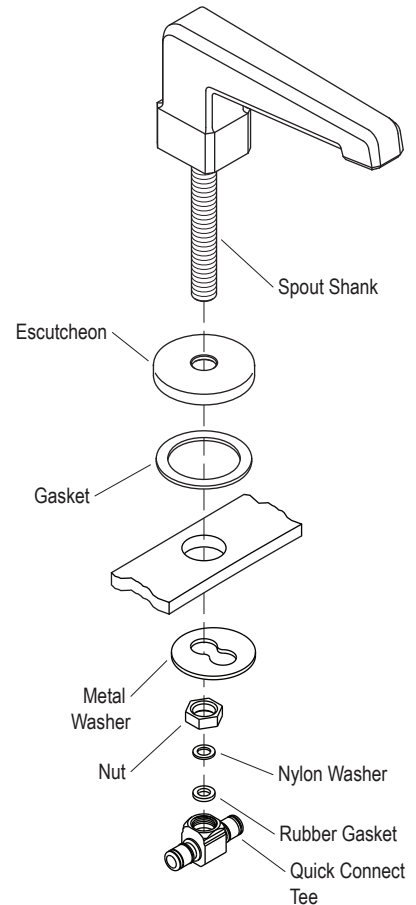


INSTALLATION INSTRUCTIONS

SPOUT INSTALLATION (CONT'D)

For P24500:

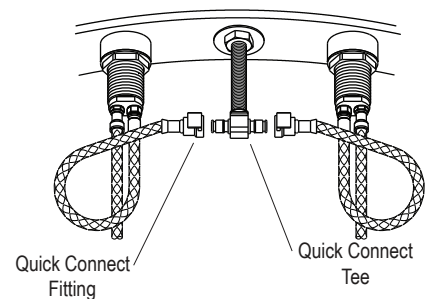
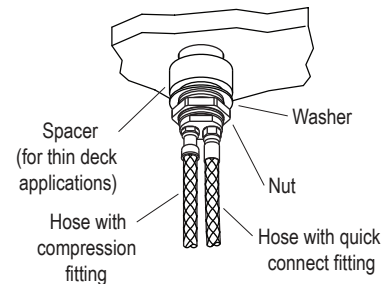
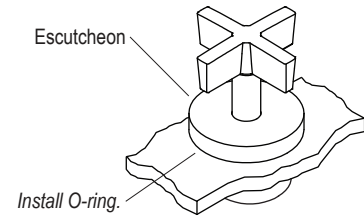
- Ensure that the gasket is installed in the underside of the escutcheon.
- Fit the spout shank through the escutcheon and the top of lavatory, making sure the KALLISTA logo faces the back of the spout.
- Install the metal washer and nut. Securely wrench tighten the nut.
- Insert the rubber gasket and nylon washer into the tee. Thread the tee on to the spout shank.
- Hold the spout in position and tighten the tee securely. Do not overtighten.
- If desired, apply a bead of silicone sealant or caulk around the escutcheon.



INSTALLATION INSTRUCTIONS

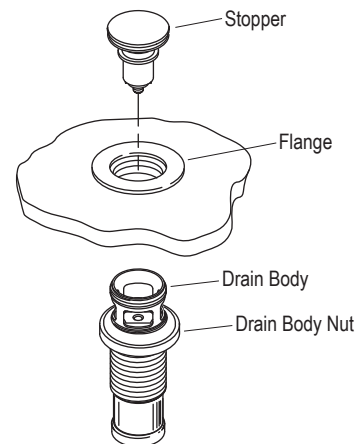
2. HANDLE BODY INSTALLATION

- Ensure that the O-ring is installed in the underside of the escutcheon.
- Remove the washers and nuts from the valve assemblies.
- Insert the valve assembly hoses through the mounting holes from the top of the lavatory. Make sure the valve assembly marked "COLD" is installed in the right-hand hole (as viewed from the front of the lavatory).
- Install the spacers (spacers may be omitted for thick deck applications), washers, and nuts to the bottom of the valve assemblies.
- Align the valve assemblies so that the handles are oriented as desired in the off position.
- Wrench tighten the nuts.
- Connect the quick connect fittings to the quick connect tee inlets. Do not use thread sealant. To avoid kinking the hoses, loop them as shown.
- If desired, apply a bead of silicone sealant or caulk around the escutcheons.



3. DRAIN INSTALLATION

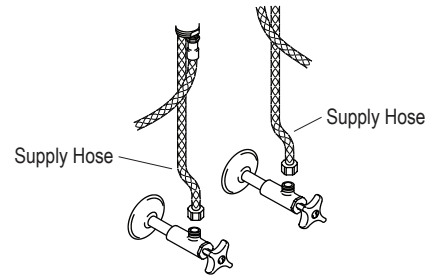
- Disassemble the stopper and flange from the drain body.
- Apply a small bead of putty or sealant to the bottom of the flange. Insert the flange into the drain opening. Ensure the gasket is inside the flange.
- From the underside of the lavatory thread the drain body onto the flange assembly. Tighten firmly.
- Install the stopper and tighten firmly.
- Turn the drain body such that the word KALLISTA on the stopper is straight. Tighten the drain body nut firmly while holding the drain body to maintain the stopper position.
- Using a damp cloth, remove any excess putty or sealant.
- Connect the trap.



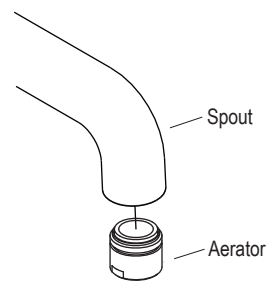
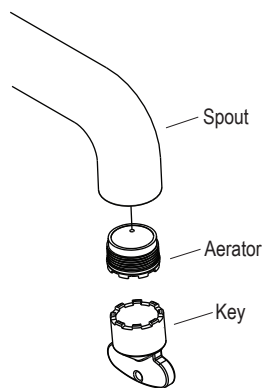
INSTALLATION INSTRUCTIONS

4. SUPPLY TUBE AND SUPPLY STOP CONNECTION

- Install the lavatory using the lavatory manufacturer's instructions.
- Connect the supply hoses from the valve assemblies to the supply stops. (Left is hot - right is cold).
- Tighten all connections.



5. INSTALLATION CHECKOUT



- Connect the tailpiece and P-trap (not supplied).
- Ensure that all connections are watertight.
- Remove the aerator by turning it counterclockwise. Use the supplied key if required for removal of your aerator.
- Open the drain. Turn on the main water supply and check for leaks. Repair as needed.
- Open both hot and cold valves and run water through the spout for one minute to remove debris. Check for leaks in the flexible hose connections. Turn valves off.
- Re-install the aerator.
- Retain the key for future use.