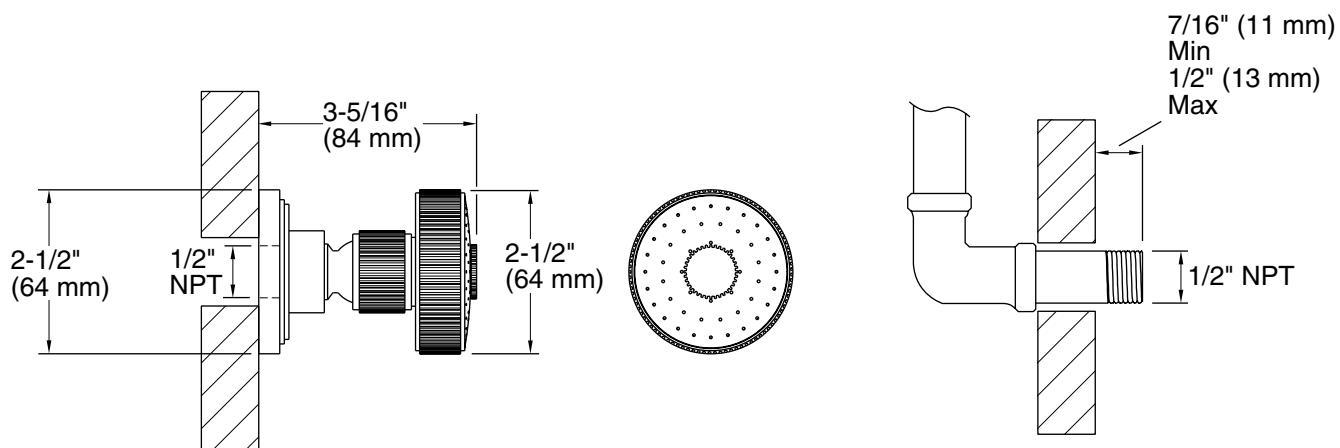


FEATURES

P21472

- Brass construction
- 2.5 gal/min (9.5 l/min) flow rate
- 1/2" NPT connection
- Complements the Vir Stil collection



Rough-In Information

SPECIFIED MODEL					
Model	Description	Finishes			
P21472-00	Vir Stil Body Spray	<input type="checkbox"/> CP Polished Chrome	<input type="checkbox"/> AD Nickel Silver	<input type="checkbox"/> AG Brushed Nickel	<input type="checkbox"/> LB Bronze

We reserve the right to make revisions without notice in the design of products or in packaging unless this right has specifically been waived at the time the order is accepted.