

# KALLISTA®

## For Town Rain Showerhead Arm

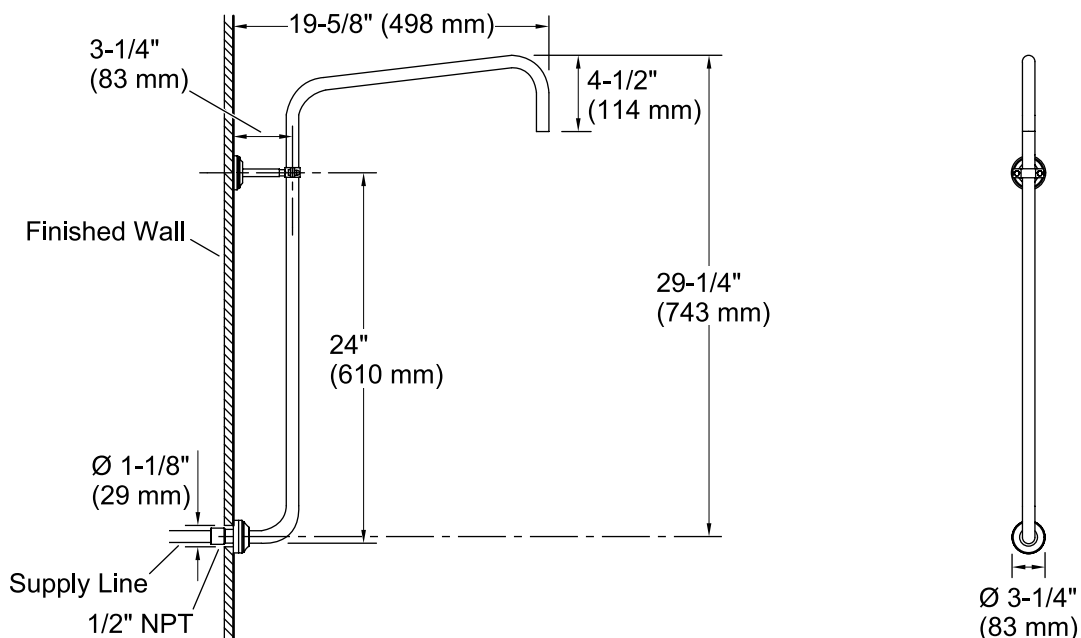
### FEATURES

- Solid brass construction for durability and reliability
- 1/2"-14 NPT connection
- Complements the For Town collection

### CODES/STANDARDS APPLICABLE

- Specified model meets or exceeds the following:
- ASME A112.18.1-2005/CSA B125.1-05

# P21441



SPECIFIED MODEL			
Model	Description	Finishes	
P21441-00	For Town Rain Showerhead Arm	<input type="checkbox"/> CP Polished Chrome	<input type="checkbox"/> AD Nickel Silver
Required Accessories			
P21540-00	For Town Rain Showerhead 2.5 gal/min (9.5 l/min)	<input type="checkbox"/> CP Polished Chrome	<input type="checkbox"/> AD Nickel Silver
P21540-G	For Town Rain Showerhead 1.75 gal/min (6.6 l/min)	<input type="checkbox"/> CP Polished Chrome	<input type="checkbox"/> AD Nickel Silver

We reserve the right to make revisions without notice in the design of products or in packaging unless this right has specifically been waived at the time the order is accepted.