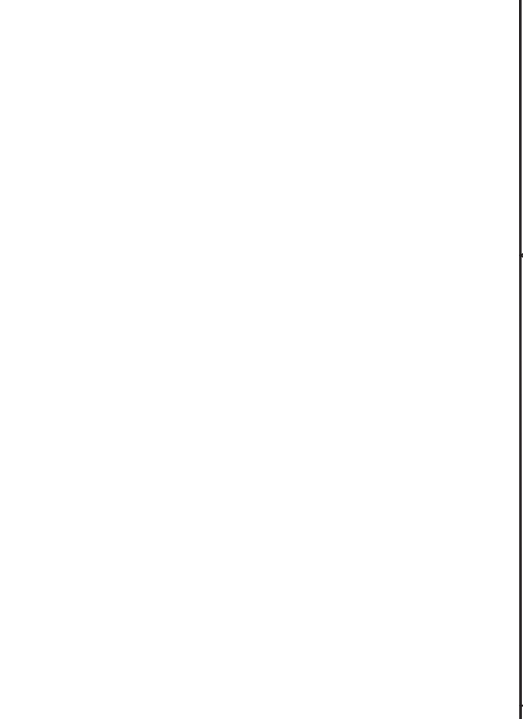
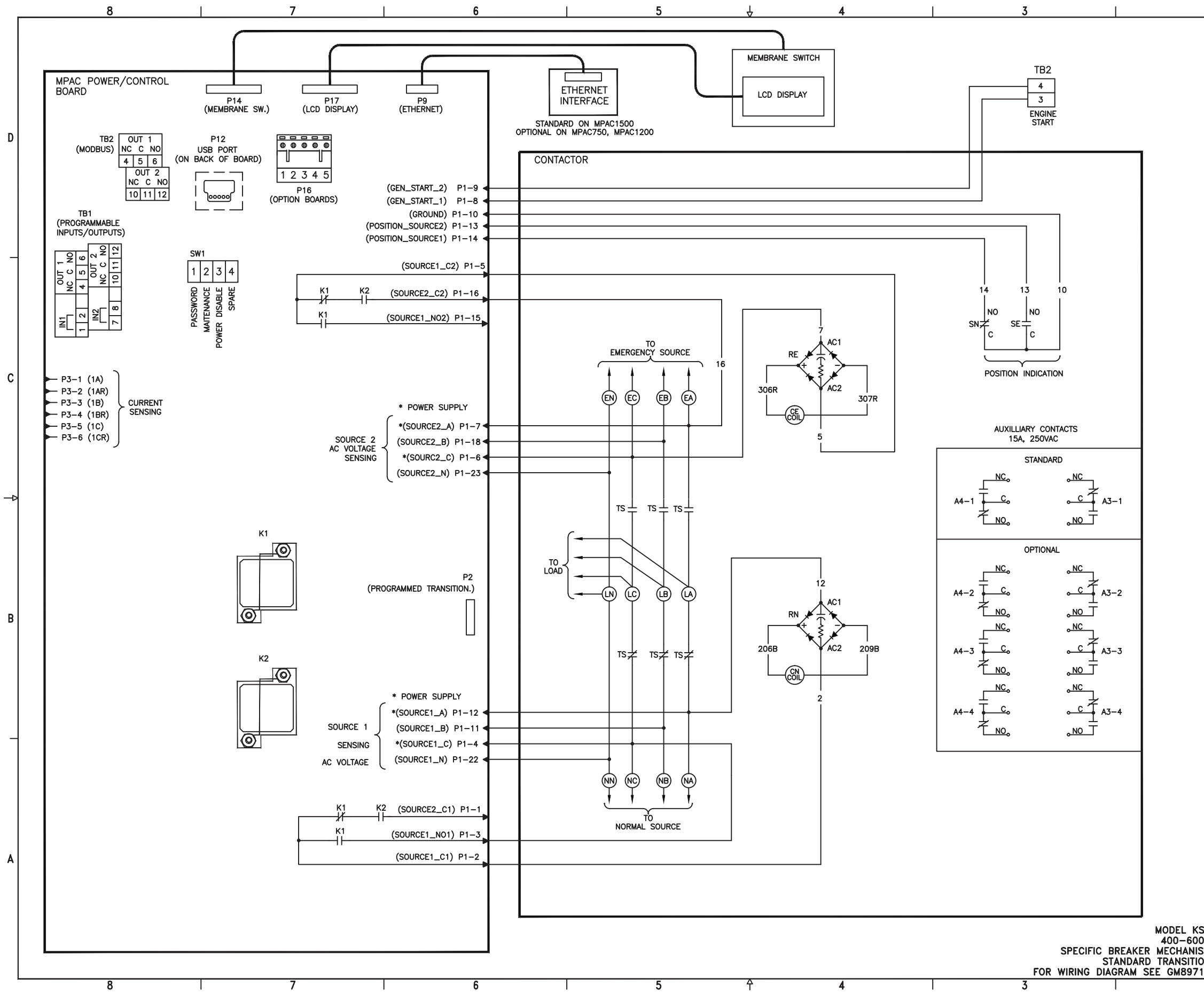


REV	DATE	REVISION	BY
-	11-11-13	NEW DRAWING [CTS5122]	DFS

**LEGEND**

- A3-(#), A4-(#) - AUXILIARY CONTACTS
- CE - CLOSED IN EMERGENCY
- CN - CLOSED IN NORMAL
- K(#)- RELAY
- LCD - LIQUID CRYSTAL DISPLAY
- P(#)- PLUG
- RE - BRIDGE RECTIFIER (EMERGENCY)
- RN - BRIDGE RECTIFIER (NORMAL)
- SE - SWITCH POSITION CONTACT (EMERGENCY POSITION)
- SN - SWITCH POSITION CONTACT (NORMAL POSITION)
- SW1 - DIP SWITCH
- TB1 - MPAC PROGRAMMABLE INPUT/OUTPUT TERMINAL BLOCK
- TB2-3,-4 - ENGINE START TERMINAL BLOCK
- TB2 - MPAC MODBUS TERMINAL BLOCK
- TS - TRANSFER SWITCH



NOTE:  
 DIAGRAM SHOWN WITH "NORMAL" ENERGIZED  
 AND CONTACTOR IN THE NORMAL POSITION.

MODEL KSS  
 400-600A  
 SPECIFIC BREAKER MECHANISM  
 STANDARD TRANSITION  
 FOR WIRING DIAGRAM SEE GM89716

**KOHLER CO.**  
 POWER SYSTEMS, KOHLER, WI 53044 U.S.A.  
 THIS DRAWING IS DESIGNED AND DRAWN BY KOHLER CO. PROPERTY AND  
 MUST NOT BE USED EXCEPT IN CONNECTION WITH KOHLER CO. WORK.  
 ALL RIGHTS OF DESIGN OR INVENTION ARE RESERVED.

**DIAGRAM, SCHEMATIC**

APPROVALS	DATE	SCALE	SHEET
DFS	11-11-13	1/1	1-1
MTL	11-11-13		
HCC	11-11-13		

GM89715