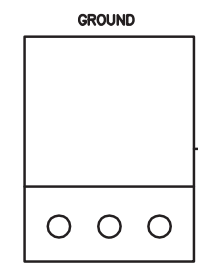
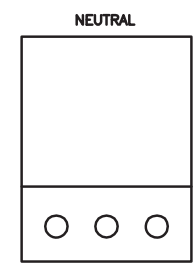
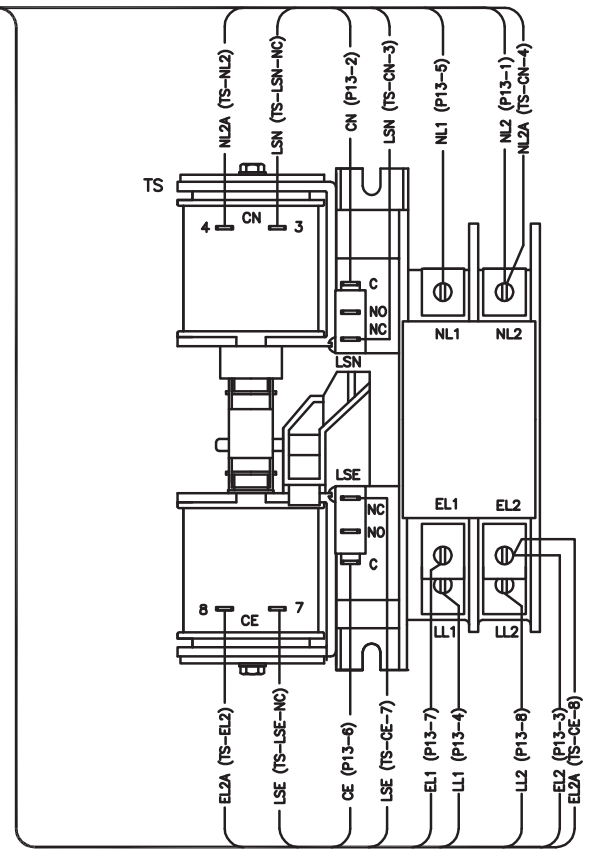
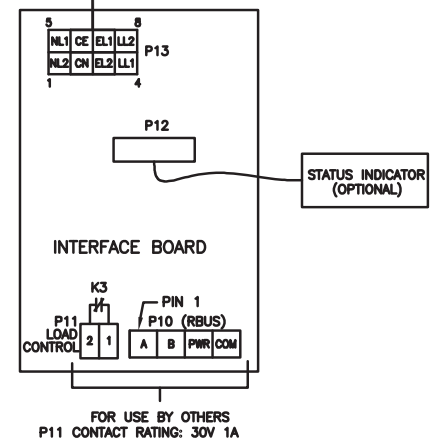


REV	DATE	REVISION	BY	APP
-	2-28-11	NEW DRAWING [90714-3]	CRS	

LEGEND
 CE - TRANSFER COIL (EMERGENCY)
 CN - TRANSFER COIL (NORMAL)
 LSN - POSITION SENSE SWITCH (NORMAL)
 LSE - POSITION SENSE SWITCH (EMERGENCY)
 P(#)- CONNECTOR
 TS - TRANSFER SWITCH/CONTACTOR

P13 CONNECTIONS
 PIN #1 NL2 (TS-NL2)
 2 CN (TS-LSN-C)
 3 EL2 (TS-EL2)
 4 LL1 (TS-LL1)
 5 NL1 (TS-NL1)
 6 CE (TS-LSE-C)
 7 EL1 (TS-EL1)
 8 LL2 (TS-LL2)



MODEL RXT
 100-400A, 1Ø
 FOR SCHEMATIC SEE GM80664

<small>UNLESS OTHERWISE SPECIFIED: 1) DIMENSIONS ARE IN INCHES 2) TOLERANCES ARE: .000 ± .000 FRACTIONS ± .000 DECIMALS ± .000 SURFACE FINISH .1 ± .000 MAX. FACED SURFACES .1 ± .000 MAX. ALL OTHER SURFACES</small>		KOHLER CO. <small>POWER SYSTEMS, STURIS, OH 44224 U.S.A. THIS DRAWING IS DESIGN AND SPEC. IS KOHLER CO. PROPERTY AND MUST NOT BE REPRODUCED OR COPIED WITHOUT KOHLER CO. WRIT. ALL RIGHTS OF DESIGN OR INVENTION ARE RESERVED.</small>	
DIAGRAM, WIRING 100-400A RXT 1Ø		DATE 2-28-11	BY CRS
APPROVALS MTL 2-28-11	DATE 2-28-11	SCALE 100%	SHEET 1-1
PART NO. GM80663		D	