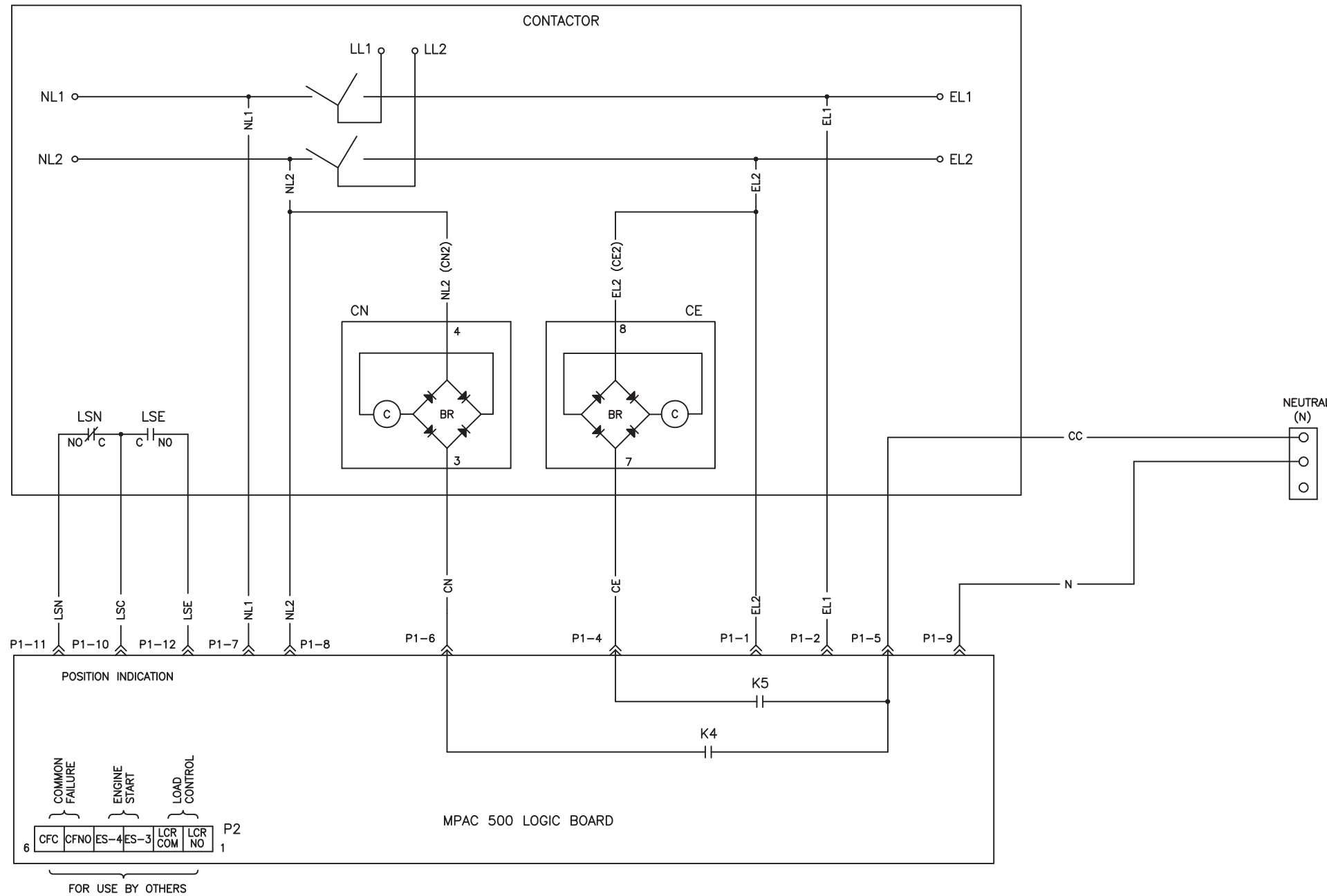


REV	DATE	REVISION	BY
B	10-7-04	(C-3) GROUND REMOVED (2 PLACES) NEUTRAL LUG ADDED LEADS "CC" & "N" RE-ROUTED TO NEUTRAL LUG [73528]	DFS
C	10-28-04	GENERIC TITLE BLOCK ADDED [73612]	DFS
D	4-1-05	(B-7,-8) P2: PIN 1 & 6 DESIGNATORS ADDED, "COMMON FAILURE" TERMINAL FUNCTION MOVED FROM PINS 1 & 2 TO PINS 5 & 6, "LOAD CONTROL" TERMINAL FUNCTION MOVED FROM PINS 5 & 6 TO PINS 1 & 2, TERMINAL DESCRIPTIONS REVISED [74777]	DFS



LEGEND

- BR BRIDGE RECTIFIER
- C COIL
- CE TRANSFER COIL (EMERGENCY TRANSFER)
- CN TRANSFER COIL (NORMAL TRANSFER)
- K4 NORMAL RELAY CONTACTS
- K5 EMERGENCY RELAY CONTACTS
- LSE LIMITS SWITCH EMERGENCY CONTACTS
- LSN LIMIT SWITCH NORMAL CONTACTS
- P1 CONNECTOR

NOTE:

1. ENGINE START CONTACTS ES1 & ES2 RATED 30 VOLT, 1 AMP. WIRING PROVIDED BY OTHERS.
2. CONTACTOR SHOWN IN NORMAL WITH NO POWER APPLIED.
3. FOR WIRING DIAGRAM SEE GM34465.

UNLESS OTHERWISE SPECIFIED - 1) DIMENSIONS ARE IN INCHES 2) TOLERANCES ARE: DIMS ± .010 HOLE ± .010 X ± .080 FRACTIONS ±		KOHLER CO. POWER SYSTEMS, KOHLER, WI 53044 U.S.A. THIS DRAWING, IN DESIGN AND DETAIL, IS KOHLER CO. PROPERTY AND MUST NOT BE USED EXCEPT IN CONNECTION WITH KOHLER CO. WORK. ALL RIGHTS OF DESIGN OR INVENTION ARE RESERVED.	
APPROVALS		TITLE	
DESIGN	DATE	DIAGRAM, SCHEMATIC	
DFS	7-14-04	SCALE	GM34466.DWG
CHECKED	DATE	PLOTTED	SHEET 1-1
JS	7-15-04		
APPROVED	DATE	DWG. NO.	GM34466
JS	7-15-04		

MPAC 500
100-200A