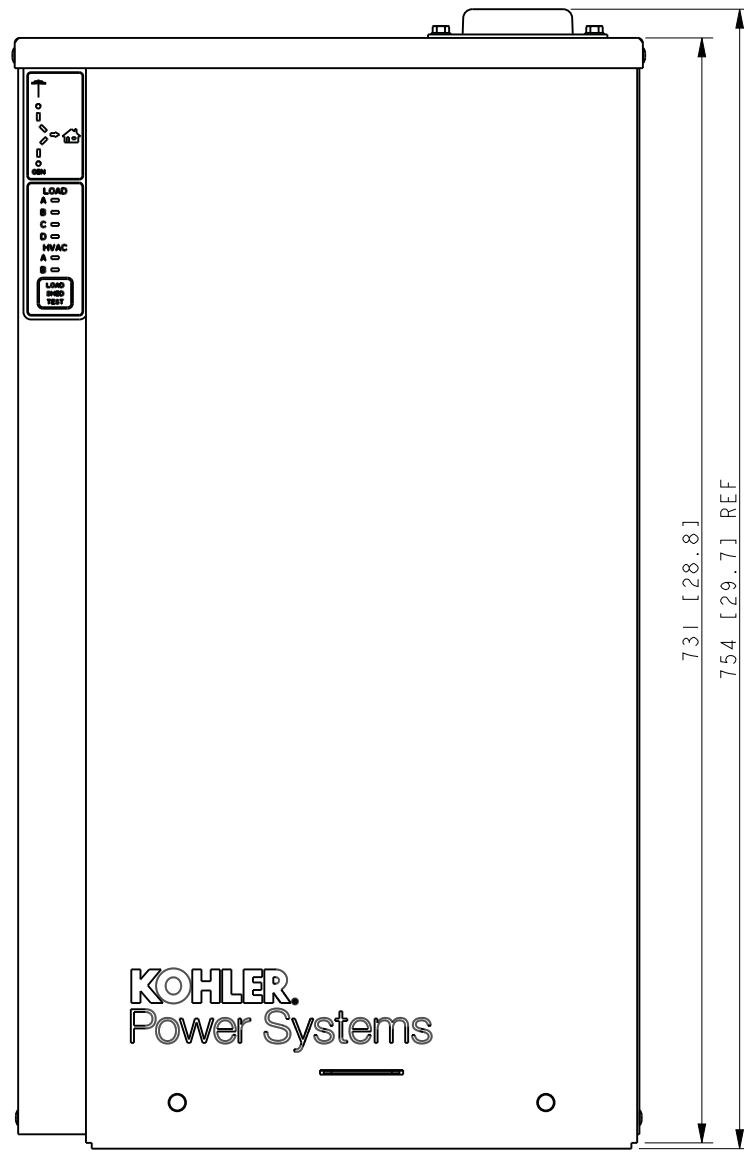
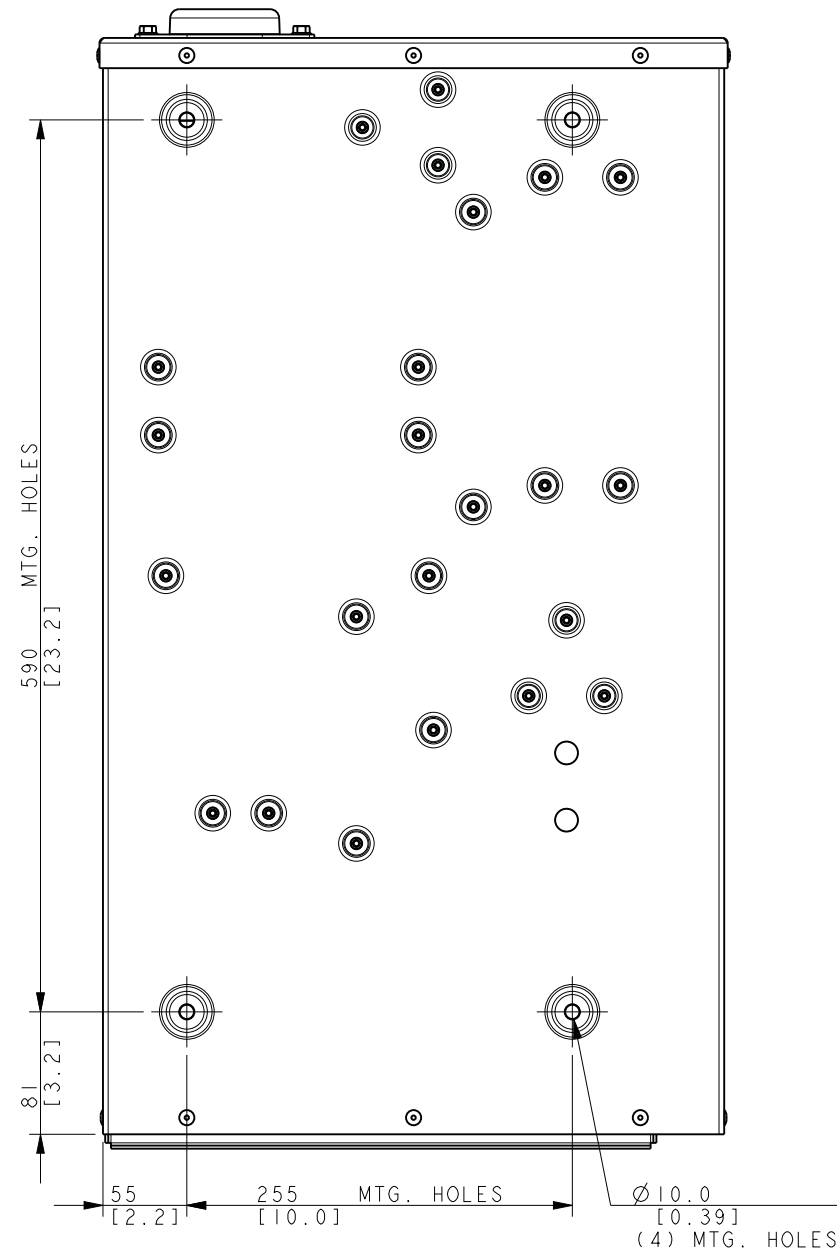


TOP VIEW



FRONT VIEW



BACK VIEW



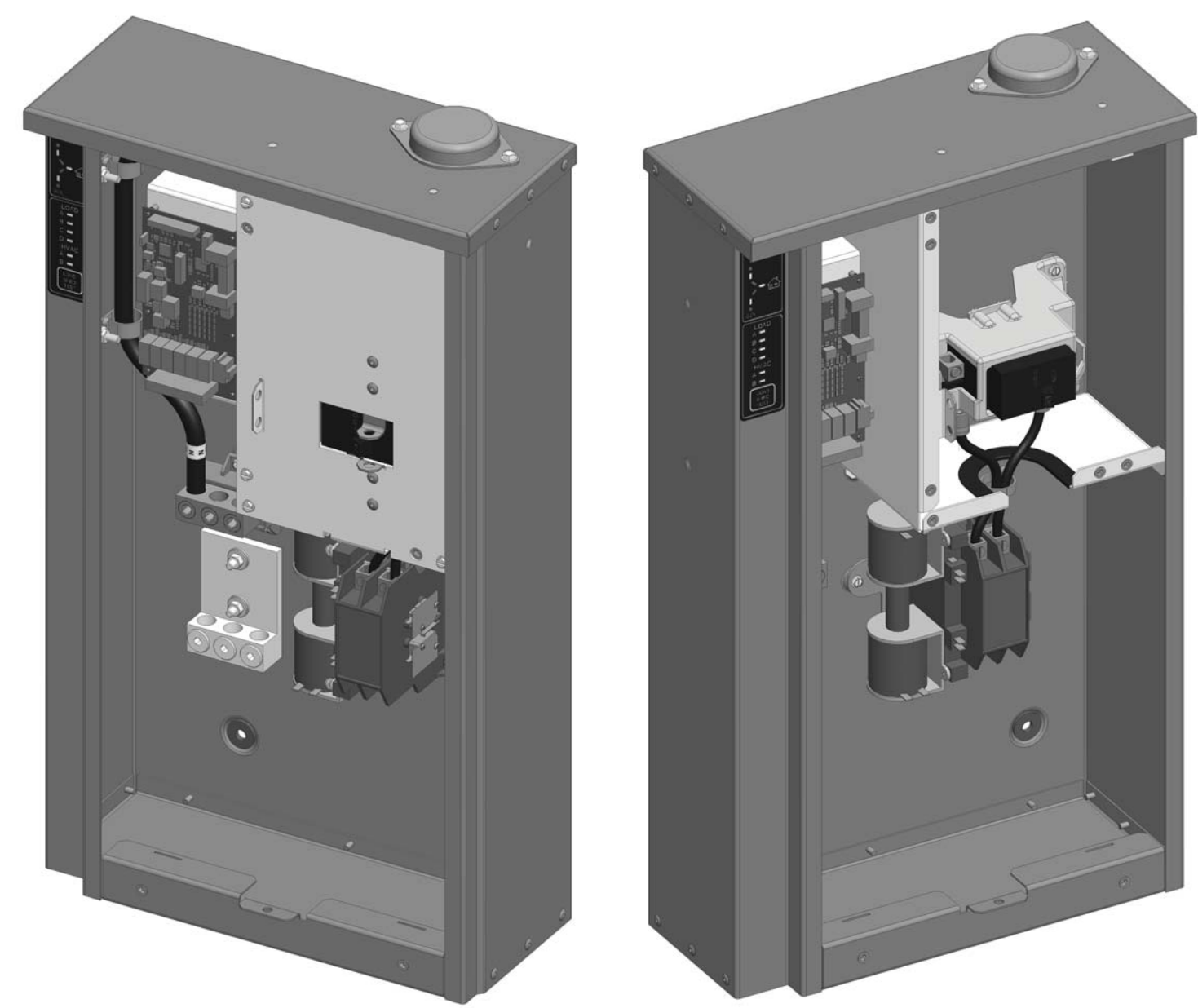
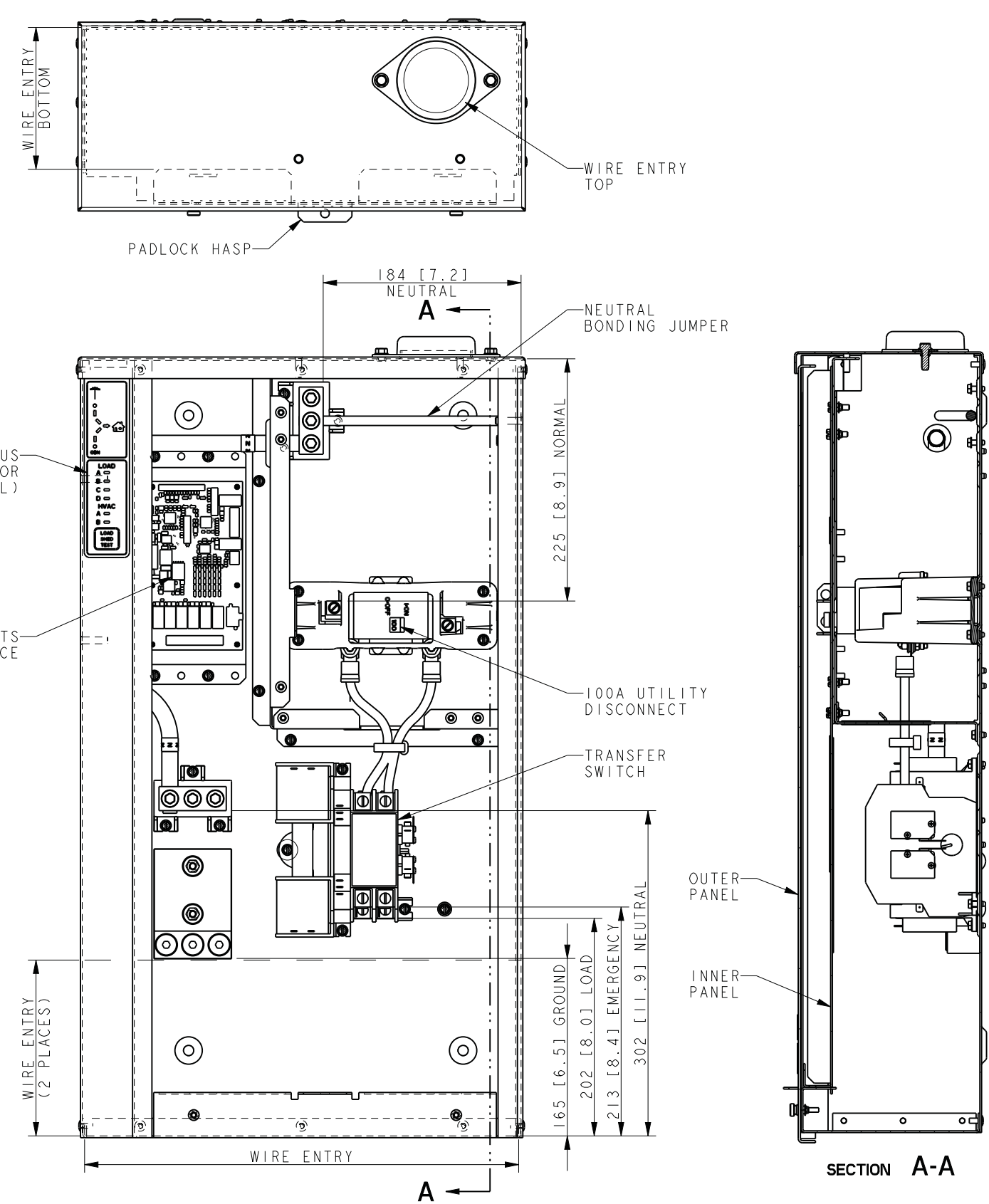
COVER NOT SHOWN

DIMENSION IN [ ] ARE INCHES.  
 FINISH: ANSI 49 GRAY  
 REFER TO OPERATOR'S MANUAL PRIOR TO  
 INSTALLATION AND OPERATION OF UNIT.  
 100 AMP APPROXIMATE WEIGHT 14 Kg (30 LBS.)

CSA 100A  
 MODEL RXT  
 SERVICE ENTRANCE  
 NEMA 3R ENCLOSURE

REV	DATE	ON COMPOSITE DWGS. SEE PART NO. FOR REVISION LEVEL	BY	UNLESS OTHERWISE SPECIFIED - 1) DIMENSIONS ARE IN MILLIMETERS 2) TOLERANCES ARE:
-	5-19-15	NEW DRAWING [CT111337]	BTW	X.XX ± 0.25
A	3-16-18	SEE SHEET 2 [CT142157]	BTW	X.X ± 1.0 X ± 1.5 ANGLES ± 0° 30' MAX.
				THIRD ANGLE PROJECTION
				APPROVALS DATE
				DRAWN BTW 5-19-15
				CHECKED BTW 5-19-15
				APPROVED MTL 5-19-15

<b>KOHLER CO.</b>	<b>METRIC</b>	<b>PRO-E</b>
POWER SYSTEMS, KOHLER, WI 53044 U.S.A.		
THIS DRAWING IN DESIGN AND DETAIL IS KOHLER CO. PROPERTY AND MUST NOT BE USED EXCEPT IN CONNECTION WITH KOHLER CO. WORK. ALL RIGHTS OF DESIGN OR INVENTION ARE RESERVED.		
TITLE <b>DIMENSION PRINT</b>		
SCALE 0.40	CAD NO.	SHEET 1 of 2
DWG NO. <b>ADV-8797</b>		<b>D</b>



SECTION A-A

SCREW TYPE TERMINALS FOR EXTERNAL POWER CONNECTION

SWITCH RATING (AMPS)	RANGE OF AL-CU WIRE SIZES			
	NORMAL (PER PHASE)	EMERGENCY / LOAD (PER PHASE)	NEUTRAL	GROUND
100	(1) #12-2/0 AWG	(1) #14-1/0 AWG	(3) #12-250 KCMIL (Cu) OR (3) #10-250 KCMIL (Al)	(3) #14-1/0 AWG

REV	DATE	ON COMPOSITE DWGS, SEE PART NO. FOR REVISION LEVEL	BY
-	5-19-15	NEW DRAWING [CT111337]	BTW
A	3-18-16	WIRE ENTRY POINTS MARKED [CT142157]	BTW

UNLESS OTHERWISE SPECIFIED -  
 1) DIMENSIONS ARE IN MILLIMETERS  
 2) TOLERANCES ARE:  
 X.XX ± 0.25  
 X.X ± 1.0  
 X ± 1.5  
 ANGLES ± 0° 30' MAX.

THIRD ANGLE PROJECTION

APPROVALS DATE  
 DRAWN BTW 5-19-15  
 CHECKED BTW 5-19-15  
 APPROVED MTL 5-19-15

**KOHLER CO. METRIC PRO-E**  
 POWER SYSTEMS, KOHLER, WI 53044 U.S.A.  
 THIS DRAWING IN DESIGN AND DETAIL IS KOHLER CO. PROPERTY AND MUST NOT BE USED EXCEPT IN CONNECTION WITH KOHLER CO. WORK. ALL RIGHTS OF DESIGN OR INVENTION ARE RESERVED.

TITLE  
**DIMENSION PRINT**

SCALE 0.40 CAD NO. SHEET 2 of 2  
 DWG NO. **ADV-8797**