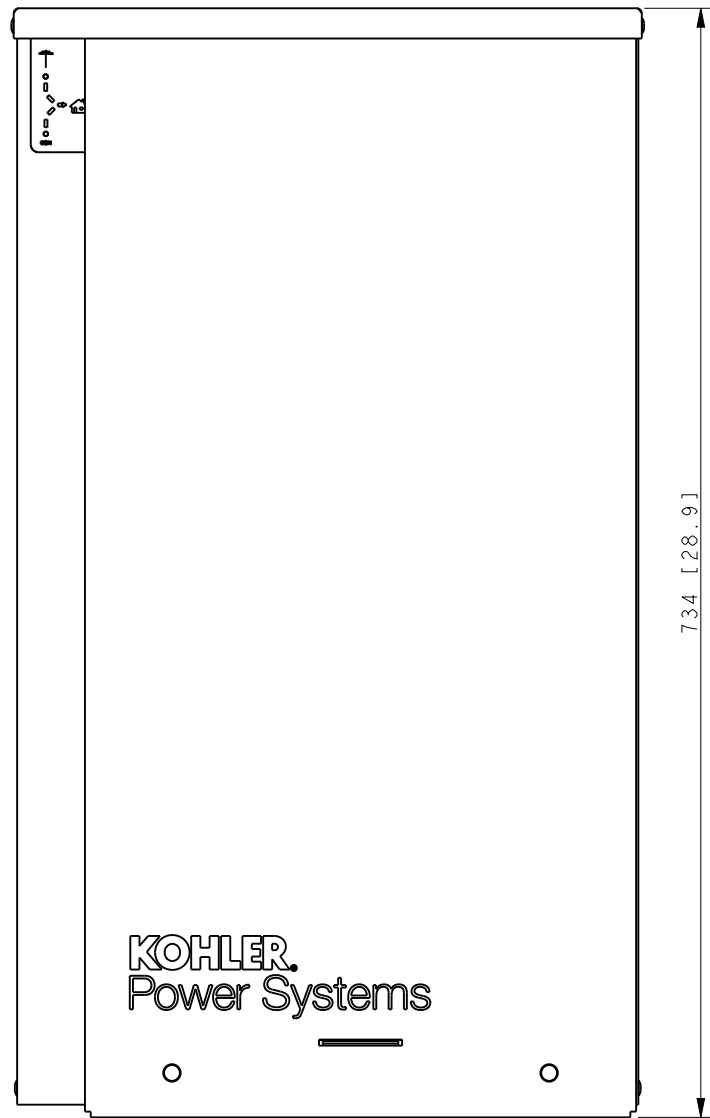
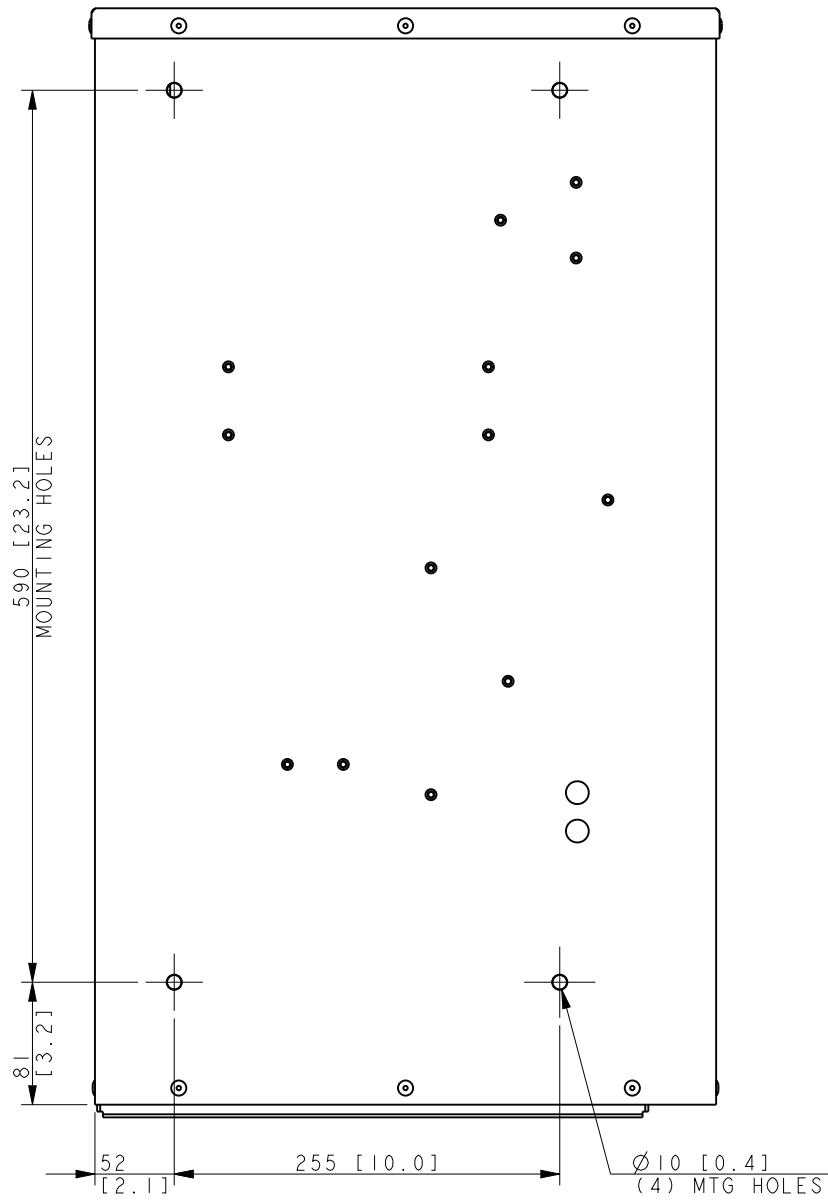


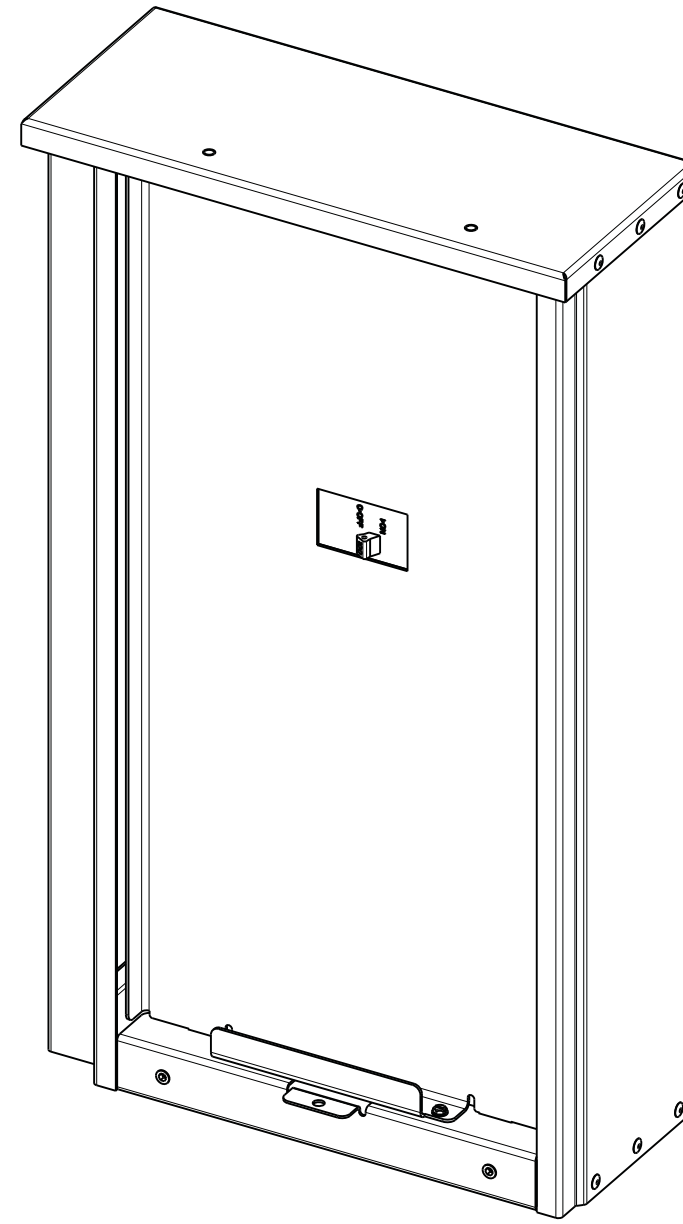
TOP VIEW



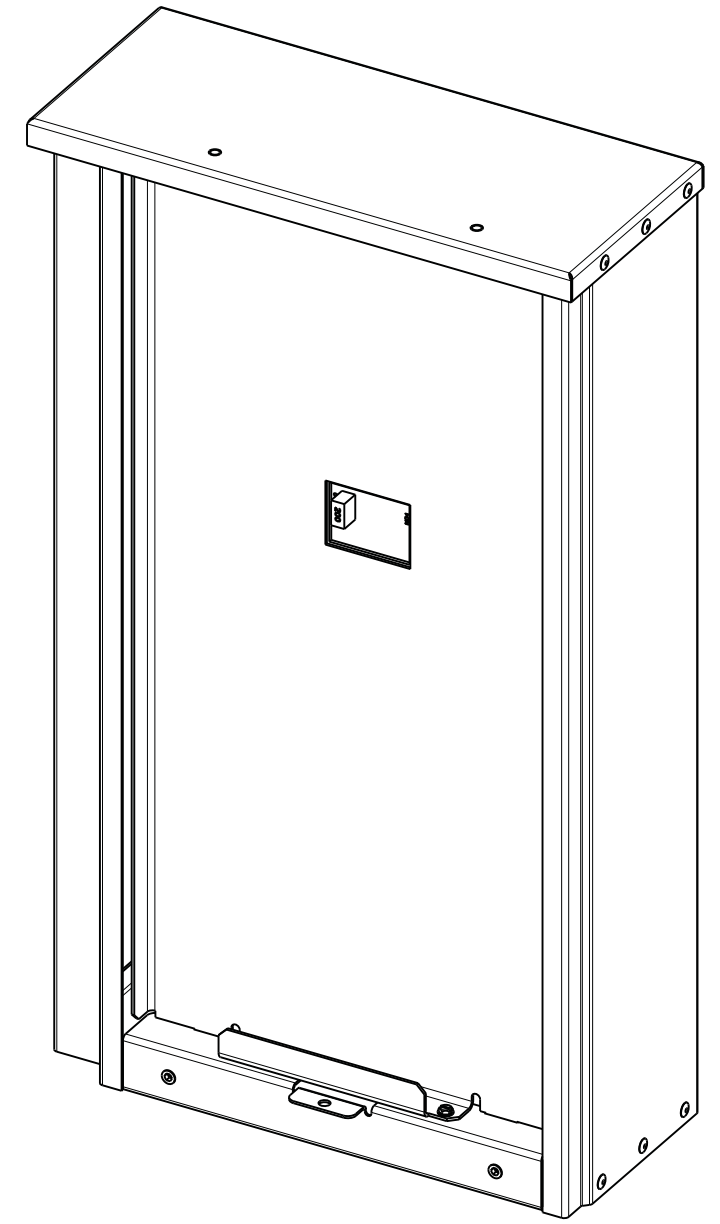
FRONT VIEW



BACK VIEW



100A  
COVER NOT SHOWN



150-200A SHOWN  
COVER NOT SHOWN

DIMENSION IN [ ] ARE INCHES.

FINISH: ANSI 49 GRAY

REFER TO OPERATOR'S MANUAL PRIOR TO  
INSTALLATION AND OPERATION OF UNIT.

100 AMP APPROXIMATE WEIGHT 10 Kg (22 LBS.)

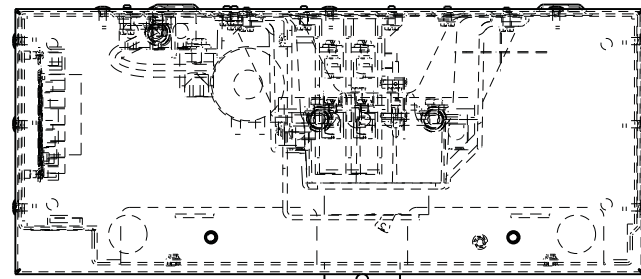
150-200 AMP APPROXIMATE WEIGHT 12 Kg (26 LBS.)

100-200A  
MODEL RXT  
SERVICE ENTRANCE  
TYPE 3R ENCLOSURES

REV	DATE	ON COMPOSITE DWGS. SEE PART NO. FOR REVISION LEVEL	BY
-	4-20-15	NEW DRAWING [CT111337]	BTW

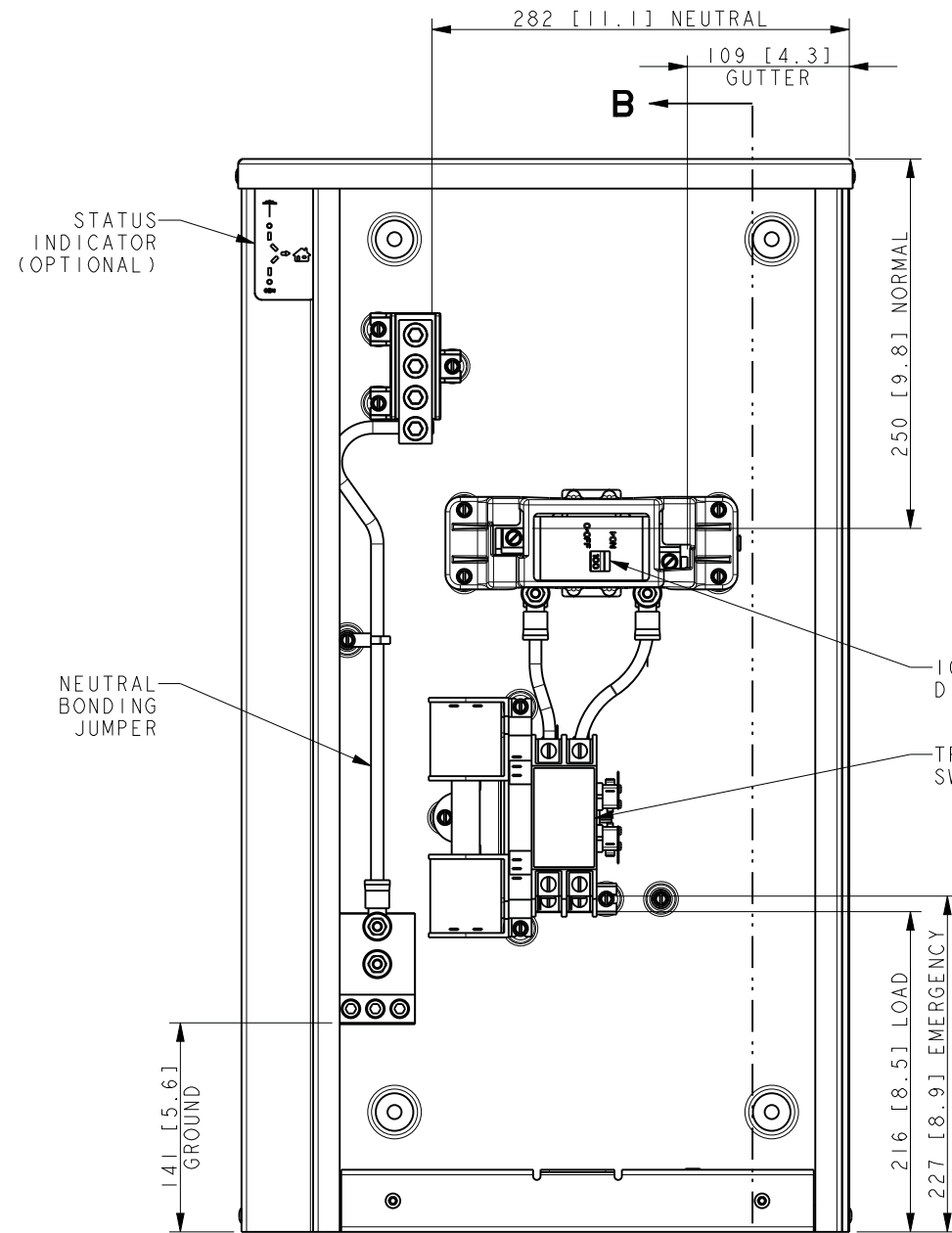
APPROVALS		DATE
DRAWN	BTW	4-20-15
CHECKED	BTW	4-20-15
APPROVED	MTL	4-20-15

UNLESS OTHERWISE SPECIFIED - 1) DIMENSIONS ARE IN MILLIMETERS 2) TOLERANCES ARE: X.XX ± 0.25 X.X ± 1.0 X ± 1.5 ANGLES ± 0° 30' SURFACE FINISH MAX.		<b>KOHLER CO. METRIC PRO-E</b> POWER SYSTEMS, KOHLER, WI 53044 U.S.A. THIS DRAWING IN DESIGN AND DETAIL IS KOHLER CO. PROPERTY AND MUST NOT BE USED EXCEPT IN CONNECTION WITH KOHLER CO. WORK. ALL RIGHTS OF DESIGN OR INVENTION ARE RESERVED.
THIRD ANGLE PROJECTION		
TITLE		<b>DIMENSION PRINT</b>
SCALE 0.40	CAD NO.	SHEET 1 of 3
DWG NO.		<b>ADV-8783</b>



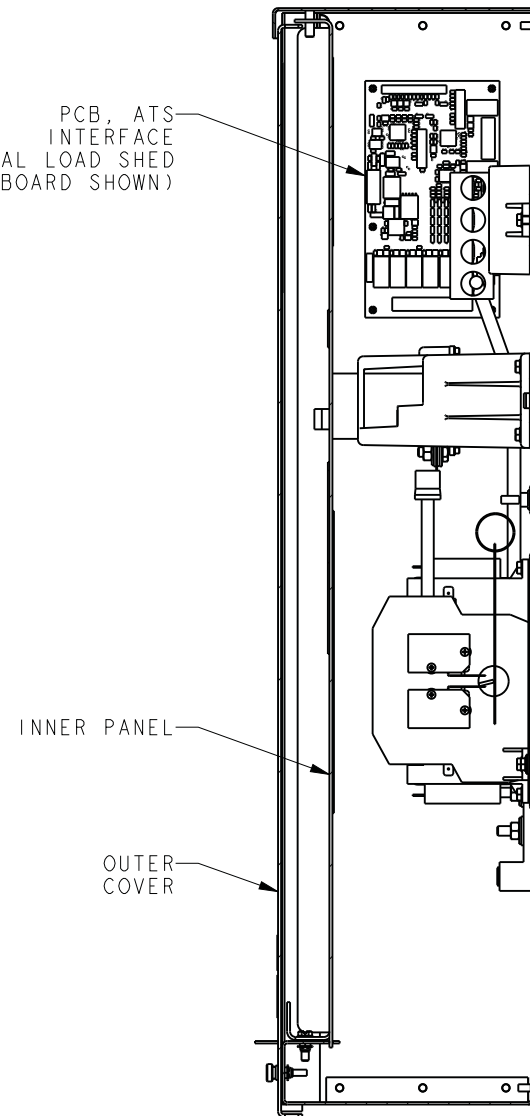
PADLOCK HASP

SCREW TYPE TERMINALS FOR EXTERNAL POWER CONNECTION				
SWITCH RATING (AMPS)	RANGE OF AL-CU WIRE SIZES			
	NORMAL (PER PHASE)	EMERGENCY / LOAD (PER PHASE)	NEUTRAL	GROUND
100	(1) #12-2/0 AWG	(1) #14-1/0 AWG	(3) #12-250 KCMIL (Cu) OR (3) #10-250 KCMIL (Al)	(3) #14-1/0 AWG
150-200	(1) #4-300 KCMIL	(1) #6-250 KCMIL	(3) #12-250 KCMIL (Cu) OR (3) #10-250 KCMIL (Al)	(3) #14-1/0 AWG



100A  
INNER PANEL & COVER  
REMOVED TO SHOW DETAIL

PCB, ATS  
INTERFACE  
(OPTIONAL LOAD SHED  
BOARD SHOWN)



SECTION B-B

REV	DATE	ON COMPOSITE DWGS. SEE PART NO. FOR REVISION LEVEL	BY
-	4-20-15	NEW DRAWING [CT111337]	BTW

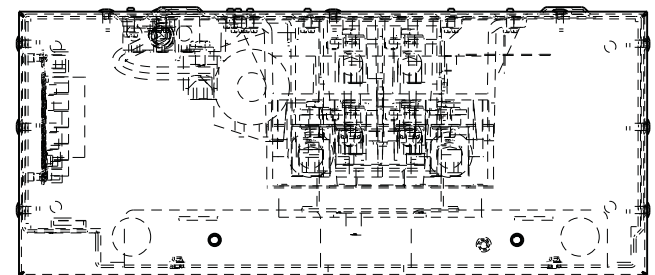
UNLESS OTHERWISE SPECIFIED -  
1) DIMENSIONS ARE IN MILLIMETERS  
2) TOLERANCES ARE:  
X.XX ± 0.25  
X.X ± 1.0  
X ± 1.5  
ANGLES ± 0° 30' MAX.  
THIRD ANGLE PROJECTION

APPROVALS	DATE
DRAWN BTW	4-20-15
CHECKED BTW	4-20-15
APPROVED MTL	4-20-15

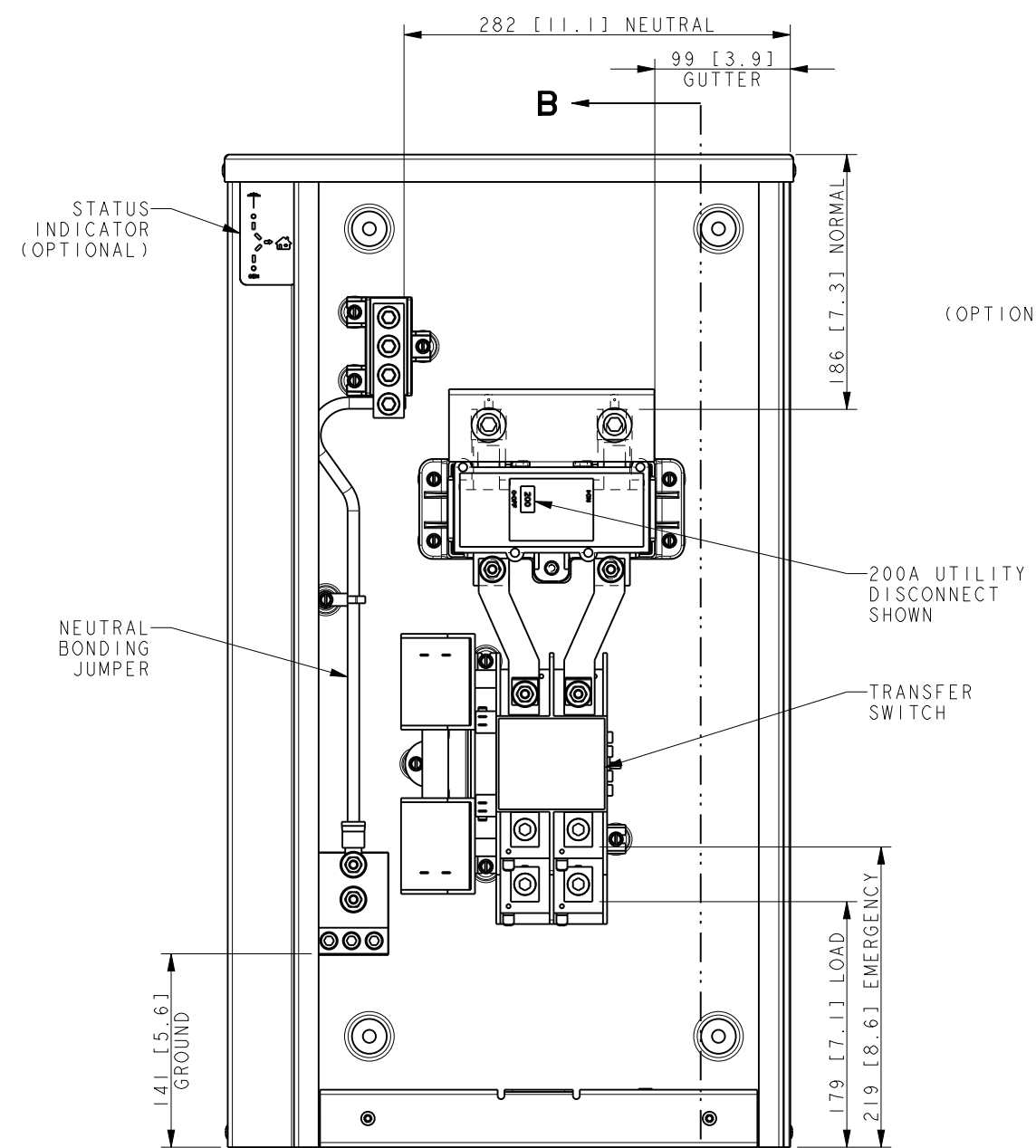
**KOHLER CO.** METRIC PRO-E  
POWER SYSTEMS, KOHLER, WI 53044 U.S.A.  
THIS DRAWING IN DESIGN AND DETAIL IS KOHLER CO. PROPERTY AND MUST NOT BE USED EXCEPT IN CONNECTION WITH KOHLER CO. WORK. ALL RIGHTS OF DESIGN OR INVENTION ARE RESERVED.

TITLE: **DIMENSION PRINT**

SCALE 0.40 CAD NO. SHEET 2 of 3  
DWG NO. **ADV-8783** D



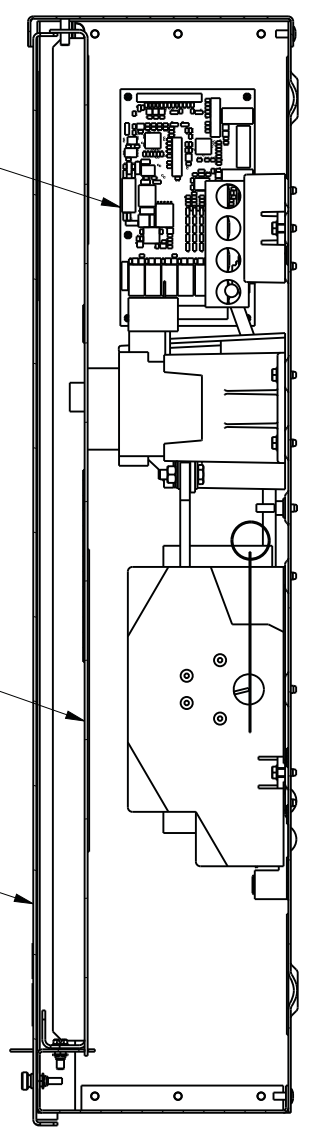
PADLOCK HASP



150-200A  
INNER PANEL & COVER  
REMOVED TO SHOW DETAILS

PCB, ATS  
INTERFACE  
(OPTIONAL LOAD SHED  
BOARD SHOWN)

INNER  
PANEL  
  
OUTER  
COVER



SECTION B-B

REV	DATE	ON COMPOSITE DWGS. SEE PART NO. FOR REVISION LEVEL	BY
-	4-20-15	NEW DRAWING [CT111337]	BTW

UNLESS OTHERWISE SPECIFIED -  
1) DIMENSIONS ARE IN MILLIMETERS  
2) TOLERANCES ARE:  
X.XX ± 0.25  
X.X ± 1.0  
X ± 1.5  
ANGLES ± 0° 30' MAX.

THIRD ANGLE PROJECTION

APPROVALS DATE  
DRAWN BTW 4-20-15  
CHECKED BTW 4-20-15  
APPROVED MTL 4-20-15

**KOHLER CO. METRIC PRO-E**  
POWER SYSTEMS, KOHLER, WI 53044 U.S.A.  
THIS DRAWING IN DESIGN AND DETAIL IS KOHLER CO. PROPERTY AND MUST NOT BE USED EXCEPT IN CONNECTION WITH KOHLER CO. WORK. ALL RIGHTS OF DESIGN OR INVENTION ARE RESERVED.

TITLE  
**DIMENSION PRINT**

SCALE 0.40 CAD NO. SHEET 3 of 3  
DWG NO. **ADV-8783**

282 [11.1] NEUTRAL  
99 [3.9] GUTTER  
186 [7.3] NORMAL  
179 [7.1] LOAD  
219 [8.6] EMERGENCY  
141 [5.6] GROUND

STATUS  
INDICATOR  
(OPTIONAL)

NEUTRAL  
BONDING  
JUMPER

200A UTILITY  
DISCONNECT  
SHOWN

TRANSFER  
SWITCH

B

B

8 7 6 5 4 3 2 1