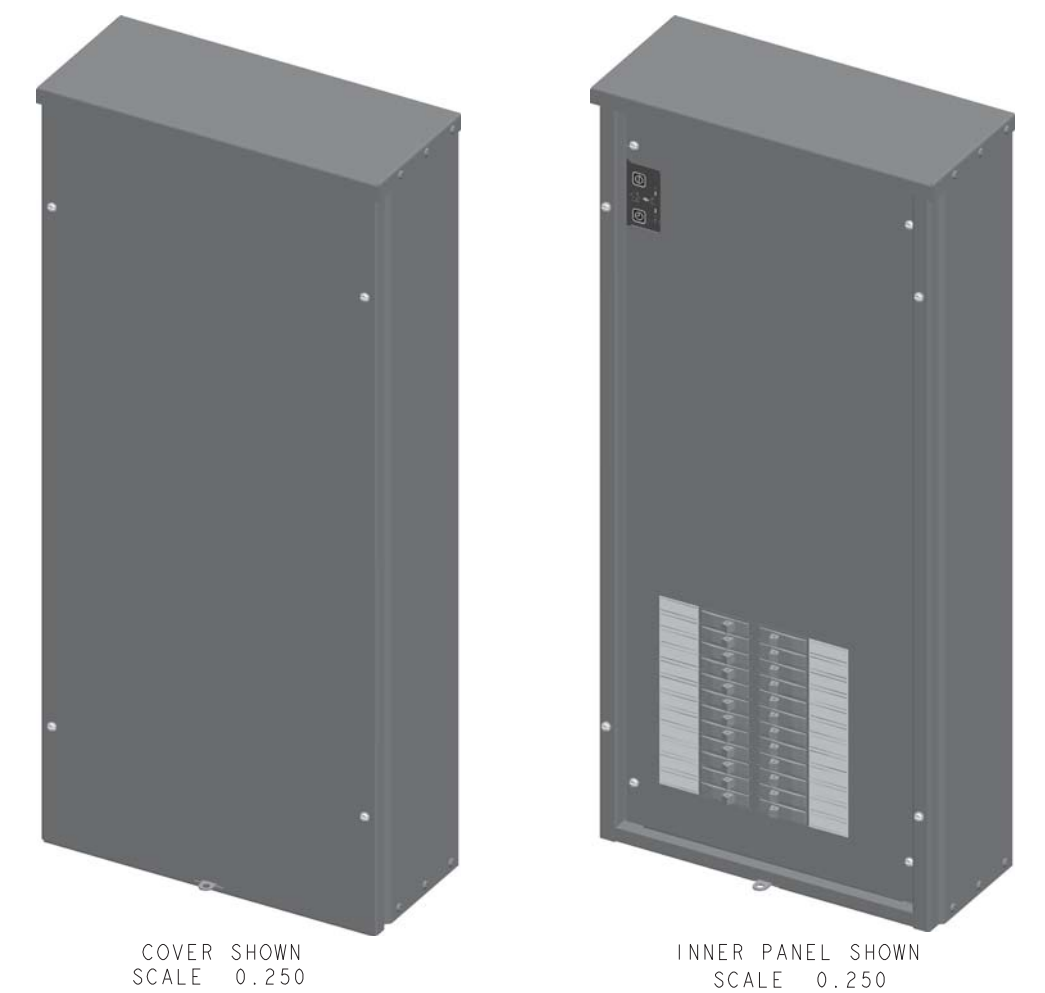
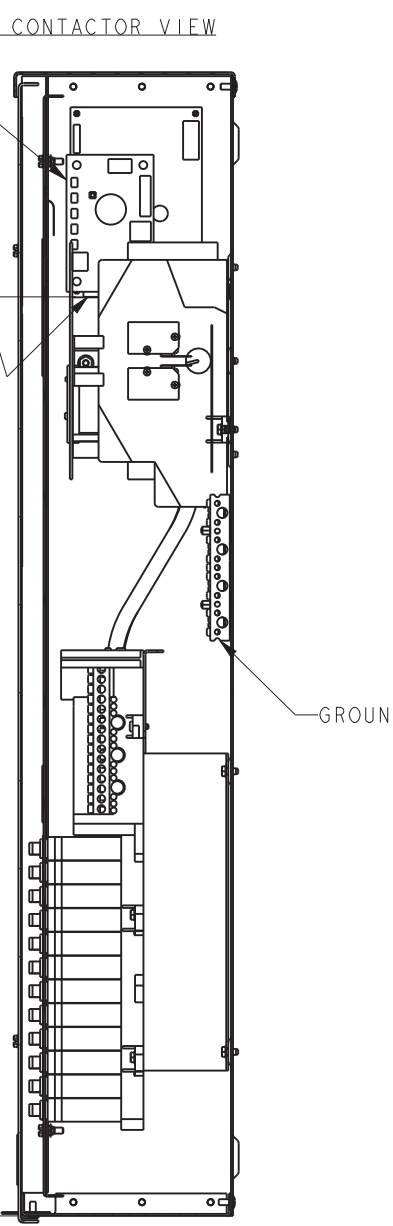
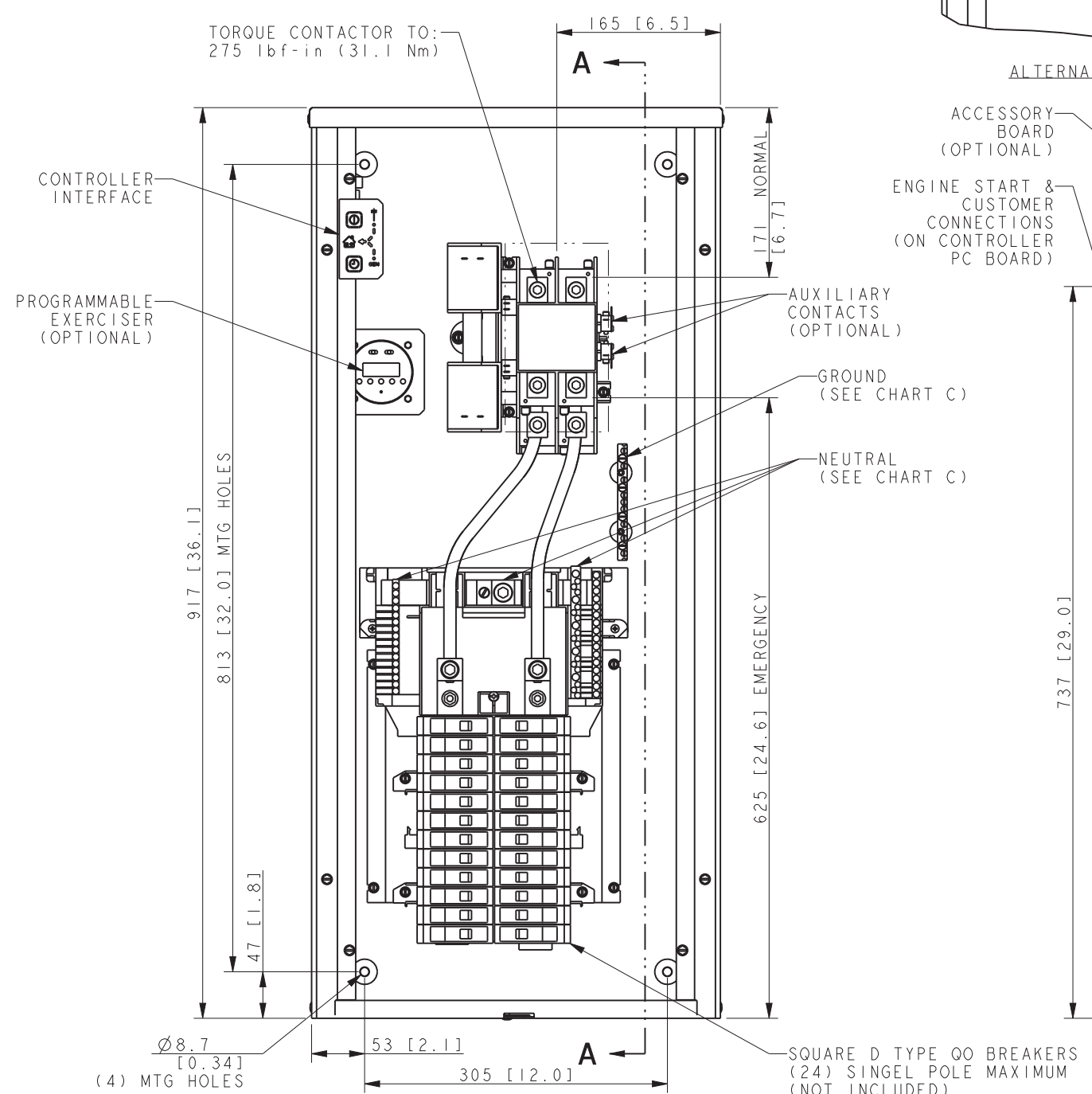


A: SCREW TYPE TERMINALS FOR EXTERNAL POWER CONNECTION			
SWITCH RATING (AMPS)	RANGE OF AL-CU WIRE SIZES		
	CONTACTOR (PER PHASE)	NEUTRAL	GROUND
200	(1) #6 TO 250 KCMIL	(37) #4-14 AWG (3) #14-1/0 AWG (1) #4-250 AWG	(9) #14 TO #6 AWG (4) 1/0 TO #14 AWG

C: TORQUE		
	LARGE HOLE	SMALL HOLE
#14-10 AWG	35 lbf-in (4 Nm)	#14-10 AWG 15 lbf-in (1.7 Nm)
#8 AWG	40 lbf-in (4.5 Nm)	
#6-4 AWG	45 lbf-in (5.1 Nm)	
#2-1/0	50 lbf-in (5.6 Nm)	#8-6 AWG 25 lbf-in (2.8 Nm)



NOTES:
 DIMENSIONS IN [] ARE INCHES
 FINISH: ANSI 49 GRAY
 REFER TO OPERATOR'S MANUAL PRIOR TO INSTALLATION AND OPERATION OF UNIT.
 APPROXIMATE WEIGHT: 8 Kg (18 LBS.)

B: LOAD CENTER CHART INFORMATION				
SPACES	MAXIMUM NUMBER OF SINGLE POLE CIRCUITS	MAXIMUM NUMBER OF TANDEM CIRCUIT BREAKERS	MAIN TERMINAL SIZE AWG AL OR CU	NUMBER OF BRANCH NEUTRAL TERMINALS
24	24	0	4-250MCM	41

MODEL R
 200A RESIDENTIAL ATS
 WITH LOAD CENTER
 MPAC 500 CONTROLLER
 STANDARD TRANSITION
 NEMA 3R ENCLOSURE

REV	DATE	ON COMPOSITE DWGS, SEE PART NO. FOR REVISION LEVEL	BY	UNLESS OTHERWISE SPECIFIED - 1) DIMENSIONS ARE IN MILLIMETERS 2) TOLERANCES ARE:	SURFACE FINISH		KOHLER CO. METRIC PRO-E POWER SYSTEMS, KOHLER, WI 53044 U.S.A. THIS DRAWING IN DESIGN AND DETAIL IS KOHLER CO. PROPERTY AND MUST NOT BE USED EXCEPT IN CONNECTION WITH KOHLER CO. WORK. ALL RIGHTS OF DESIGN OR INVENTION ARE RESERVED.
-	8-15-11	NEW DRAWING [90714-4]	BTW	X.XX ± 0.25	MAX.		
A	7-16-13	(D-5) NEUTRAL WIRE SIZE UPDATED; [CT48126]	BTW	X.X ± 1.0			
B	6-9-16	LOGO REMOVED [CT148955]	BTW	X ± 1.5			
C	10-5-17	ALTERNATE CONTACTOR VIEW ADDED; (D-1) GROUND: (9) #14 TO #6 AWG WAS (9) #14 TO #4 AWG, (4) 1/0 TO #14 AWG ADDED; [CT181683]		ANGLES ± 0° 30'			
D	4-10-18	(D-3) TABLE C ADDED (B-6, C-6, D4,7) NOTES ADDED & UPDATED [CT186584]					