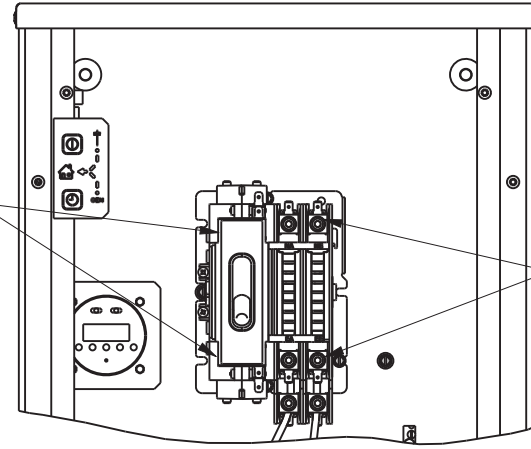


AUXILIARY CONTACTS (OPTIONAL)



NORMAL/EMERGENCY
 #14-10 AWG 50 lbf-in (5.6 Nm)
 #8-1/0 120 lbf-in (14 Nm)

ALTERNATE CONTACTOR VIEW

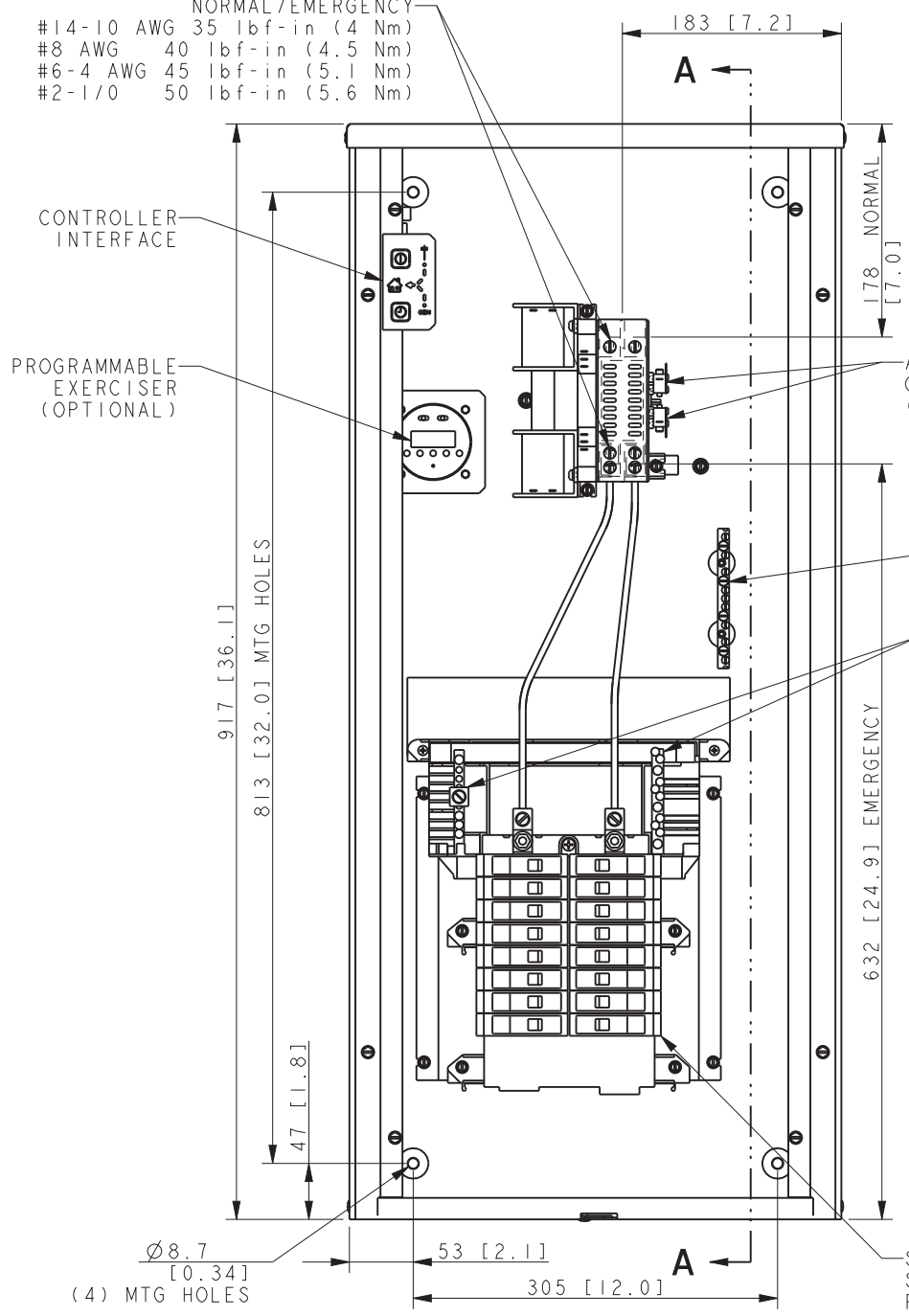
A: SCREW TYPE TERMINALS FOR EXTERNAL POWER CONNECTION

SWITCH RATING (AMPS)	RANGE OF AL-CU WIRE SIZES		
	CONTACTOR (PER PHASE)	NEUTRAL	GROUND
100	(1) #14 TO 1/0 AWG	(27) #4-14 AWG (3) #14-1/0 AWG (1) #6 TO 2/0 AWG	(9) #14 TO #6 AWG (4) 1/0 TO #14 AWG

C: GROUND TORQUE

WIRE SIZE	LARGE HOLE	SMALL HOLE
	#14-10 AWG	35 lbf-in (4 Nm)
#8 AWG	40 lbf-in (4.5 Nm)	
#6-4 AWG	45 lbf-in (5.1 Nm)	
#2-1/0	50 lbf-in (5.6 Nm)	#8-6 AWG 25 lbf-in (2.8 Nm)

NORMAL/EMERGENCY
 #14-10 AWG 35 lbf-in (4 Nm)
 #8 AWG 40 lbf-in (4.5 Nm)
 #6-4 AWG 45 lbf-in (5.1 Nm)
 #2-1/0 50 lbf-in (5.6 Nm)



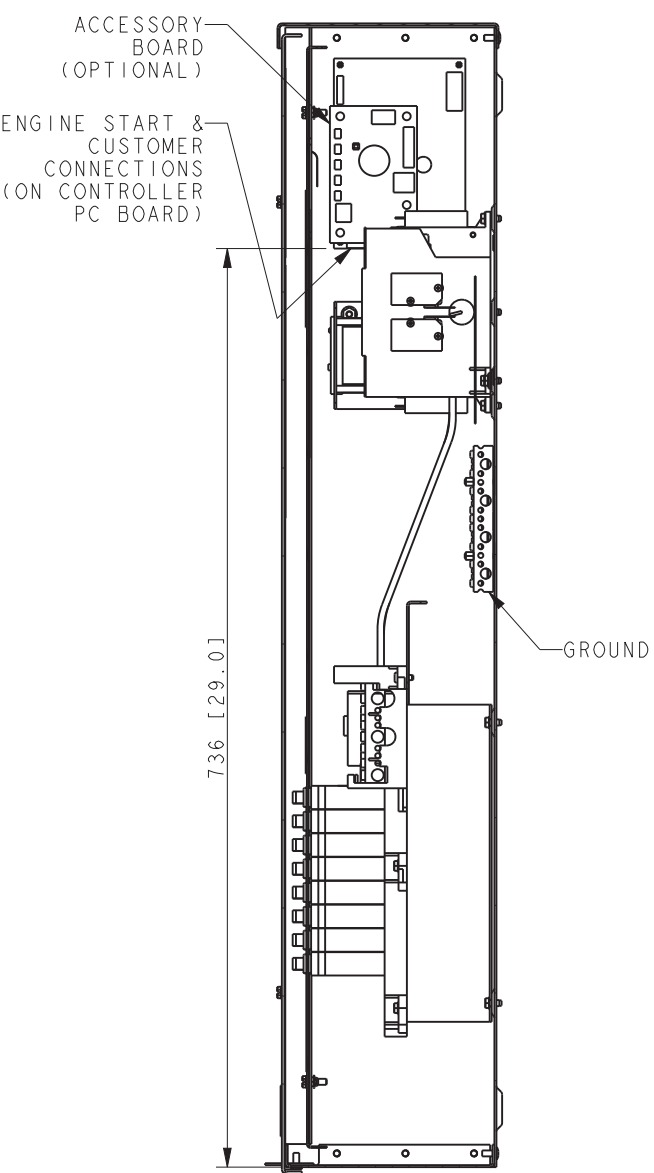
AUXILIARY CONTACTS (OPTIONAL)

GROUND (SEE CHART C)

NEUTRAL (SEE CHART C)

SQUARE D TYPE QO BREAKERS
 SEE LOAD CENTER CHART BELOW
 FOR FURTHER INFORMATION
 CIRCUIT BREAKERS (NOT INCLUDED)

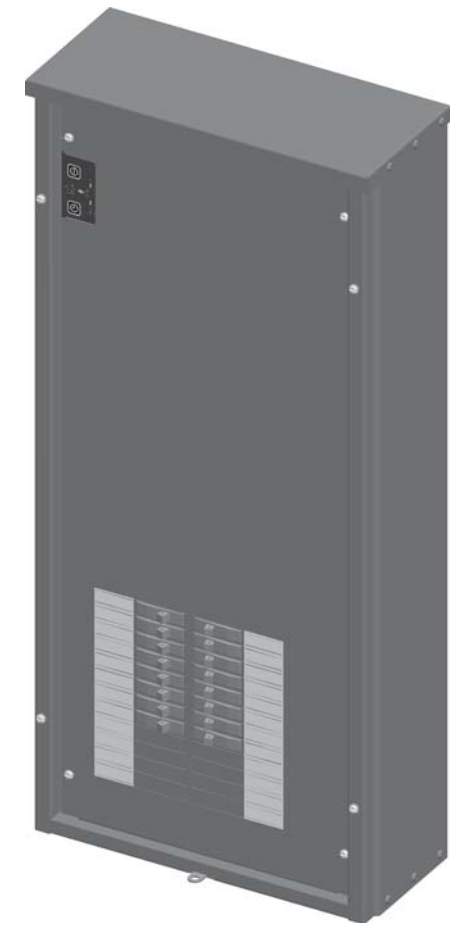
(COVER & INNER PANEL REMOVED TO SHOW DETAIL)



SECTION A-A



COVER SHOWN
 SCALE 0.250



INNER PANEL SHOWN
 SCALE 0.250

NOTES:
 DIMENSION IN [] ARE INCHES
 FINISH: ANSI 49 GRAY
 REFER TO OPERATOR'S MANUAL PRIOR TO
 INSTALLATION AND OPERATION OF UNIT.
 APPROXIMATE WEIGHT: 8 Kg (18 LBS.)

B: LOAD CENTER CHART INFORMATION

SPACES	MAXIMUM NUMBER OF SINGLE POLE CIRCUITS	MAXIMUM NUMBER OF TANDEM CIRCUIT BREAKERS	MAIN TERMINAL SIZE AWG AL OR CU	NUMBER OF BRANCH NEUTRAL TERMINALS
16	24	8	4-2/0	31

MODEL R
 100A RESIDENTIAL ATS
 WITH LOAD CENTER
 MPAC 500 CONTROLLER
 STANDARD TRANSITION
 NEMA 3R ENCLOSURE

REV	DATE	ON COMPOSITE DWGS, SEE PART NO. FOR REVISION LEVEL	BY	UNLESS OTHERWISE SPECIFIED - 1) DIMENSIONS ARE IN MILLIMETERS 2) TOLERANCES ARE:
-	8-15-11	NEW DRAWING [90714-4]	BTW	X.XX ± 0.25
A	7-16-13	(D-5) NEUTRAL WIRE SIZE UPDATED; [CT48126]	BTW	X.X ± 1.0
B	7-28-16	LOGO DECALS REMOVED [CT148955]	BTW	X ± 1.5
C	10-5-17	ALTERNATE CONTACTOR VIEW ADDED (D-1) GROUND: (9) #14 TO #6 AWG WAS (9) #14 TO #4 AWG, (4) 1/0-#14 AWG; [CT181683]		ANGLES ± 0° 30' MAX.
D	4-10-18	(D-2) TABLE C ADDED (B-6, D-4,8) NOTES ADDED & UPDATED [CT186584]	BTW	THIRD ANGLE PROJECTION

KOHLER CO. METRIC PRO-E
 POWER SYSTEMS, KOHLER, WI 53044 U.S.A.
 THIS DRAWING IN DESIGN AND DETAIL IS KOHLER CO. PROPERTY AND MUST NOT BE USED EXCEPT IN CONNECTION WITH KOHLER CO. WORK. ALL RIGHTS OF DESIGN OR INVENTION ARE RESERVED.

TITLE: **DIMENSION PRINT**

SCALE: 0.33 CAD NO. SHEET 1 of 1
 DWG NO. **ADV-8442**