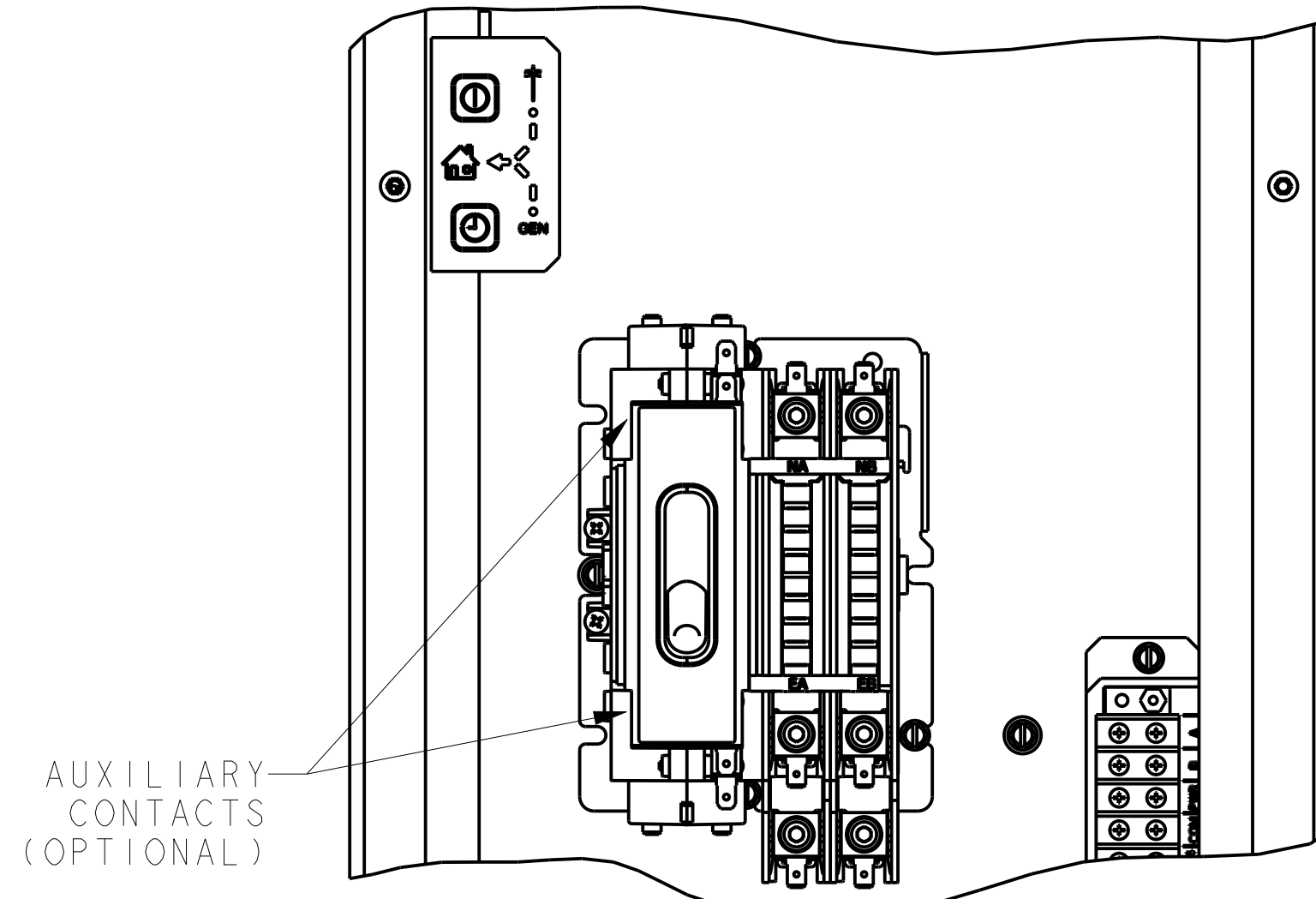


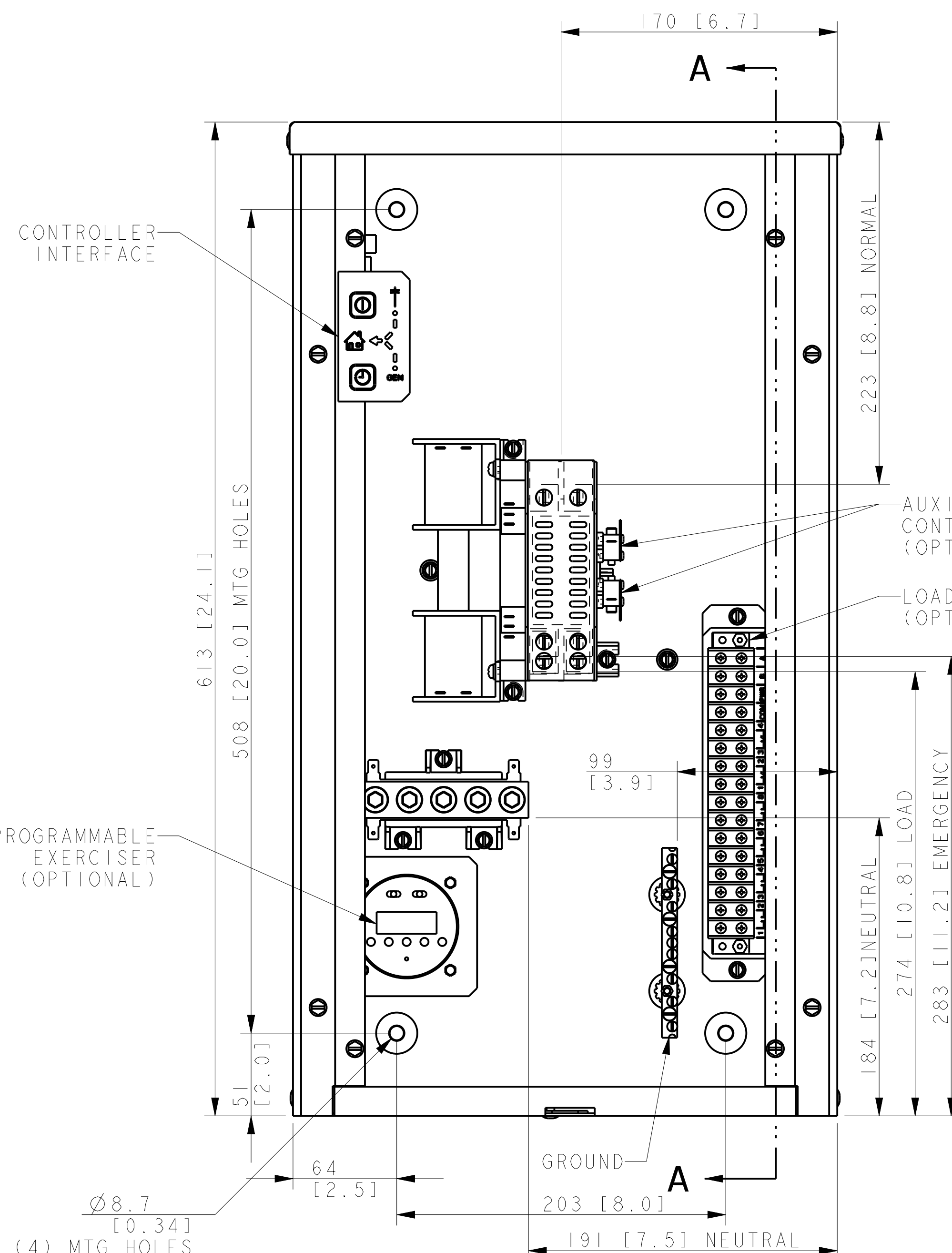
PADLOCK HASP



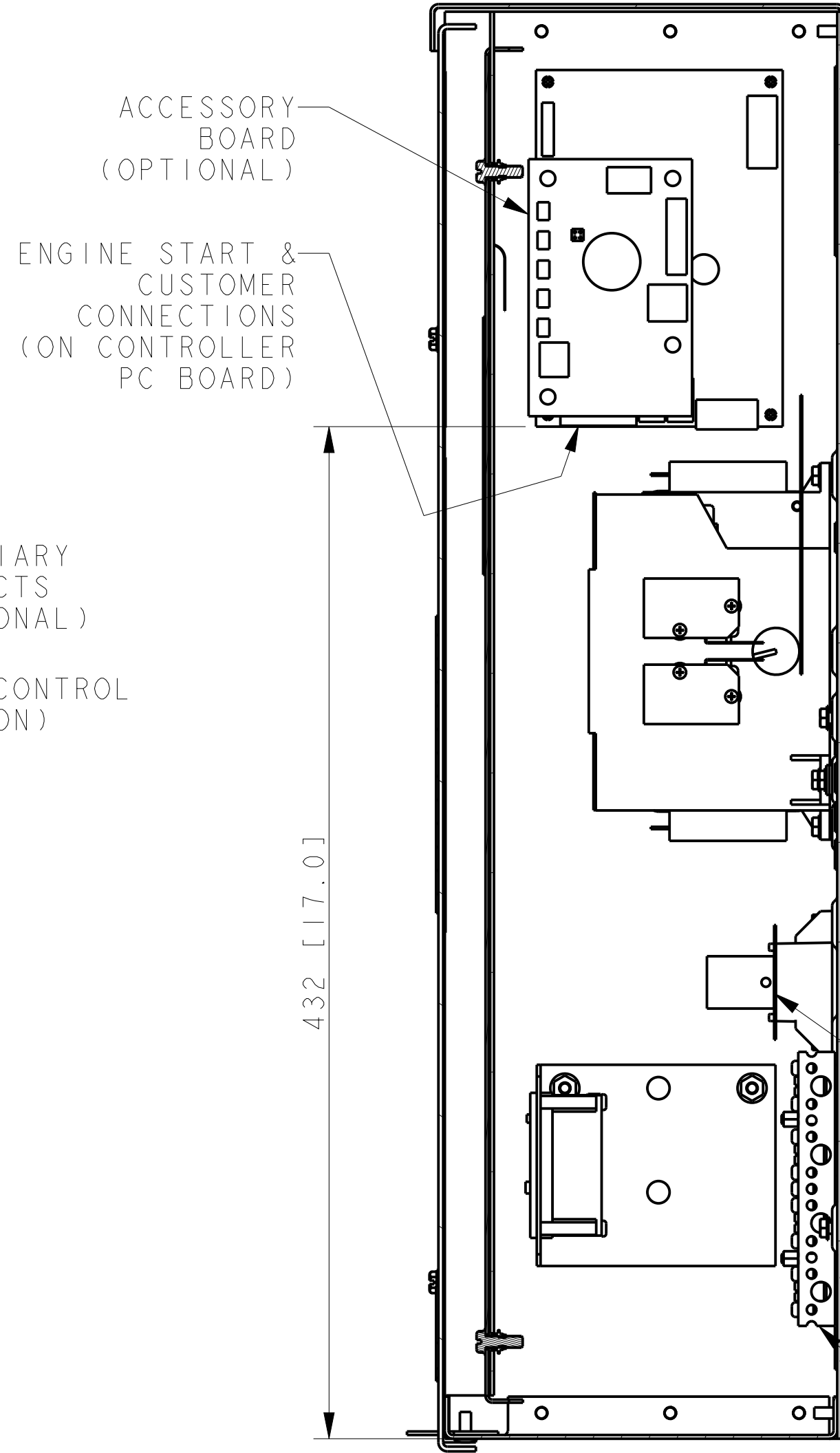
AUXILIARY CONTACTS (OPTIONAL)

ALTERNATE CONTACTOR VIEW

SCREW TYPE TERMINALS FOR EXTERNAL POWER CONNECTION			
SWITCH RATING (AMPS)	RANGE OF AL-CU WIRE SIZES		
	CONTACTOR (PER PHASE)	NEUTRAL	GROUND
100	(1) #14-1/0 AWG	(5) #12-250 KCMIL (Cu) OR (5) #10-250 KCMIL (Al)	(9) #14-#6 AWG (4) 1/0-#14 AWG

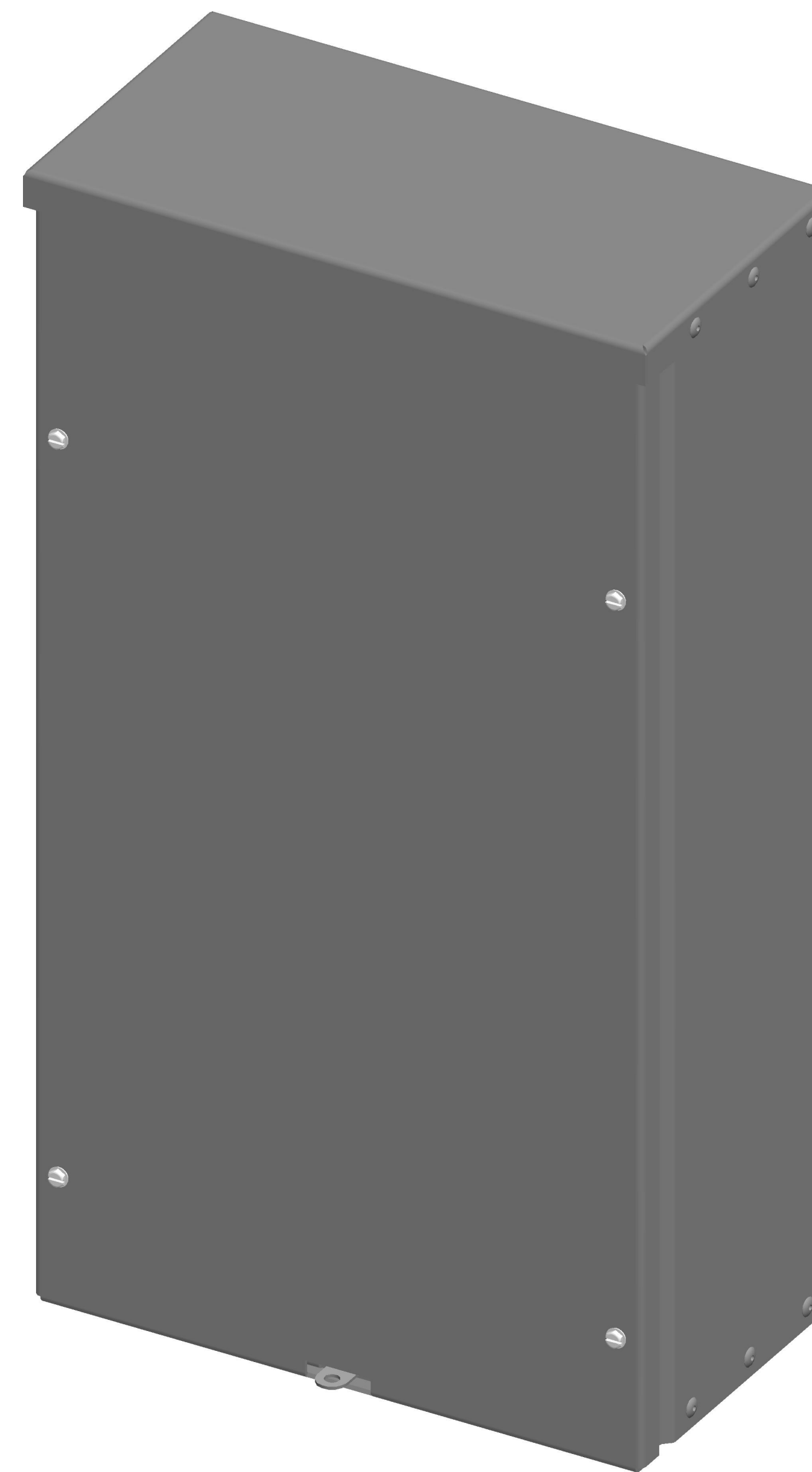


(COVER & INNER PANEL REMOVED TO SHOW DETAIL)

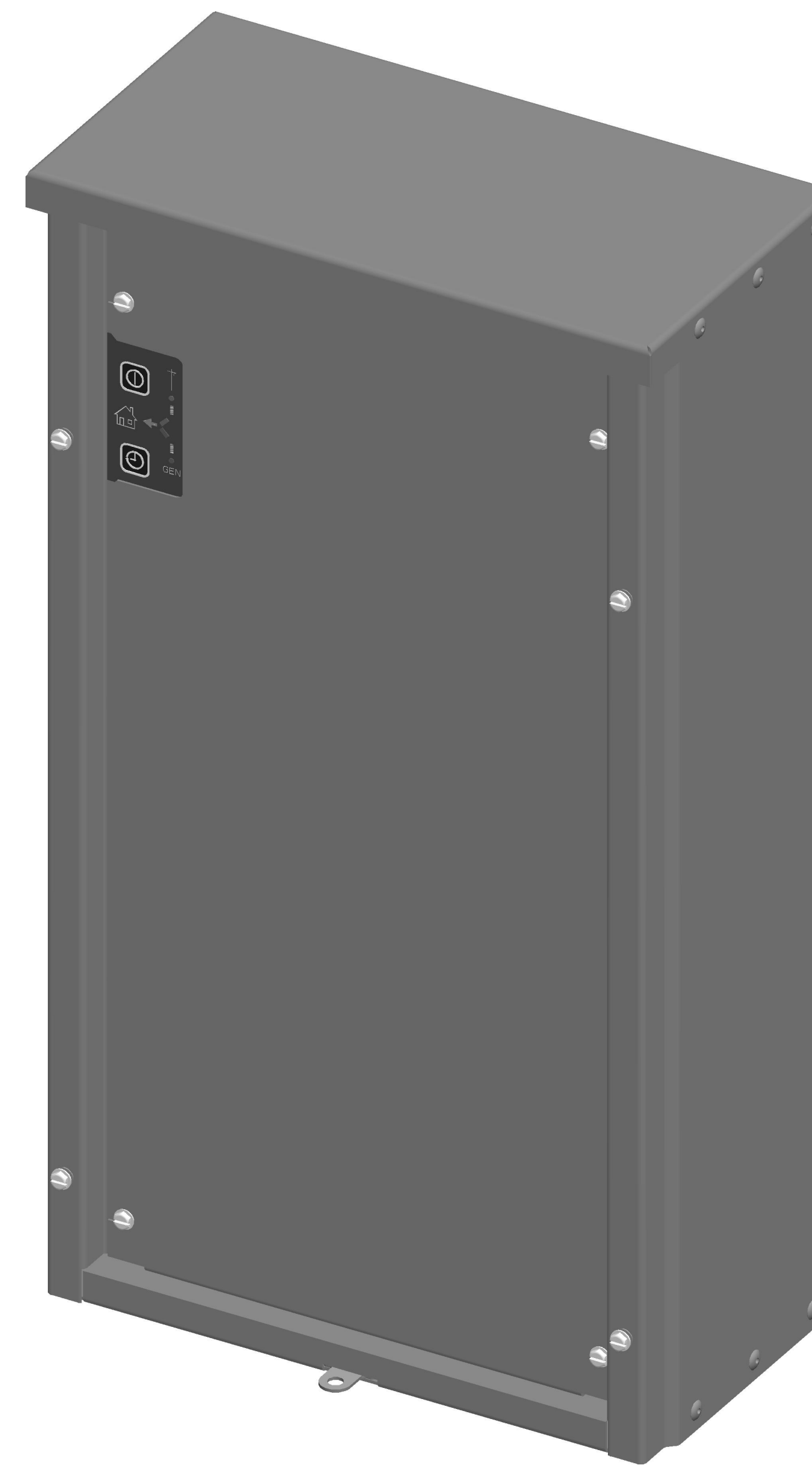


SECTION A-A

MODEL R
100A RESIDENTIAL ATS
MPAC 500 CONTROLLER
STANDARD TRANSITION
NEMA 3R ENCLOSURE



COVER SHOWN



INNER PANEL SHOWN

NOTES:
DIMENSIONS IN [] ARE INCHES.
FINISH: ANSI 49 GRAY
REFER TO OPERATOR'S MANUAL PRIOR TO
INSTALLATION AND OPERATION OF UNIT.
APPROXIMATE WEIGHT: 7 Kg (15 LBS.)

REV	DATE	DESCRIPTION	BY
-	8-15-11	NEW DRAWING [90714-4]	BTW
A	6-18-13	(D-4) NEUTRAL CONNECTIONS UPDATED; (B-6) LOAD CONTROL OPTION SHOWN; [CT48126]	BTW
B	8-13-14	(B-8) PROGRAMMABLE EXERCISER OPTION RELOCATED; [CT89842]	BTW
C	6-7-16	LOGO & DECAL REMOVED; [CT148955]	BTW
D	10-6-17	(D-2) NEUTRAL QTY (5) WAS (3) (2 PLACES); (D-1) (9) #14-#6AWG WAS (9) #14-#4AWG, (4) 1/0-#14AWG ADDED; (D-5) ALTERNATE CONTACTOR VIEW ADDED; [CT181683]	BTW

UNLESS OTHERWISE SPECIFIED -
1) DIMENSIONS ARE IN MILLIMETERS
2) TOLERANCES ARE:
X.XX ± 0.25
X.X ± 1.0
X ± 1.5
ANGLES ± 0° 30' MAX.

KOHLER CO. METRIC PRO-E
POWER SYSTEMS, KOHLER, WI 53044 U.S.A.
THIS DRAWING IN DESIGN AND DETAIL IS KOHLER CO. PROPERTY AND MUST NOT BE USED EXCEPT IN CONNECTION WITH KOHLER CO. WORK. ALL RIGHTS OF DESIGN OR INVENTION ARE RESERVED.

TITLE: **DIMENSION, PRINT**

SCALE: 0.45 CAD NO. SHEET 1 of 1

DWG NO.: **ADV-8440**