

COVER SHOWN



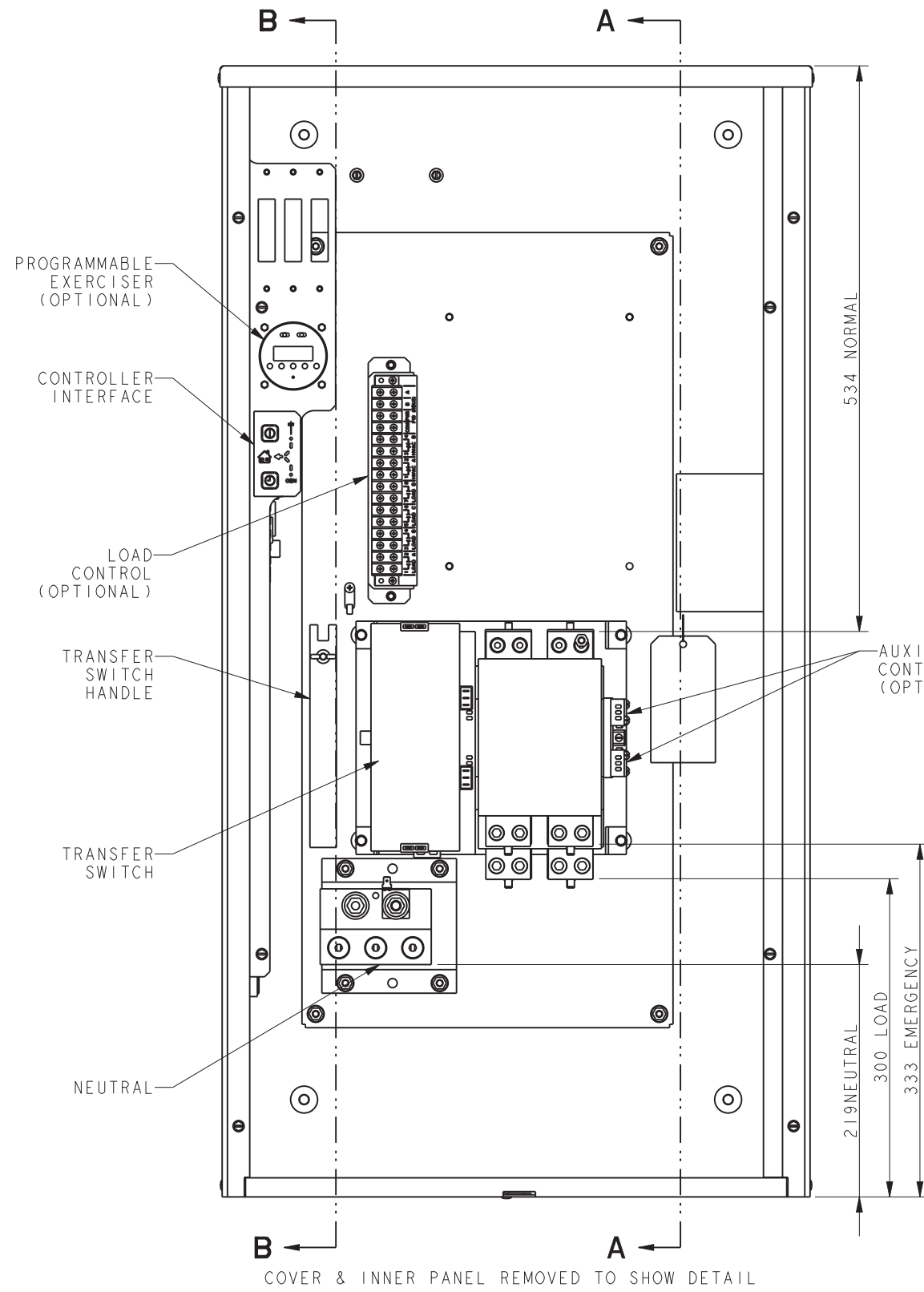
INNER PANEL SHOWN

NOTES:
 DIMENSIONS IN [] ARE INCHES.
 FINISH: ANSI 49 GRAY.
 REFER TO OPERATOR'S MANUAL PRIOR TO
 INSTALLATION AND OPERATION OF UNIT.
 POWER CABLES AND CONTROL WIRING MUST BE
 RUN IN METAL CONDUIT.
 APPROXIMATE WEIGHT: 40 Kg (89 LBS.)

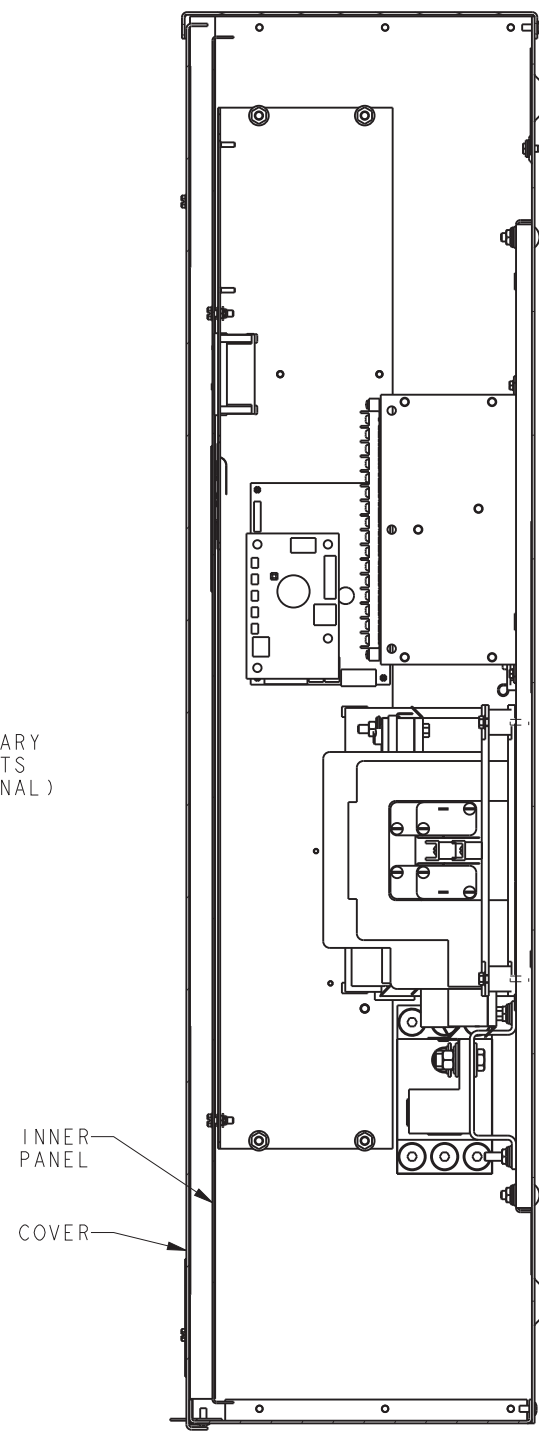
MODEL R
 MPAC 500 400A
 SPECIFIC BREAKER RATED
 STANDARD TRANSITION
 NEMA 3R

REV	DATE	ON COMPOSITE DWGS. SEE PART NO. FOR REVISION LEVEL	BY	UNLESS OTHERWISE SPECIFIED - 1) DIMENSIONS ARE IN MILLIMETERS 2) TOLERANCES ARE:
-	8-17-11	NEW DRAWING [90714-4]	BTW	X.XX ± 0.25
A	3-11-13	SEE SHEET 2 [CT40695]	BTW	X.X ± 1.0
B	7-16-13	SEE SHEET 2 [CT48126]	BTW	X ± 1.5
C	1-9-15	SEE SHEET 2 [CT13061]	BTW	ANGLES ± 0° 30' MAX.
D	1-12-18	SEE SHEET 2 [CT183231]	BTW	THIRD ANGLE PROJECTION
E	4-10-18	SEE SHEET 2 [CT186584]	RMJ	

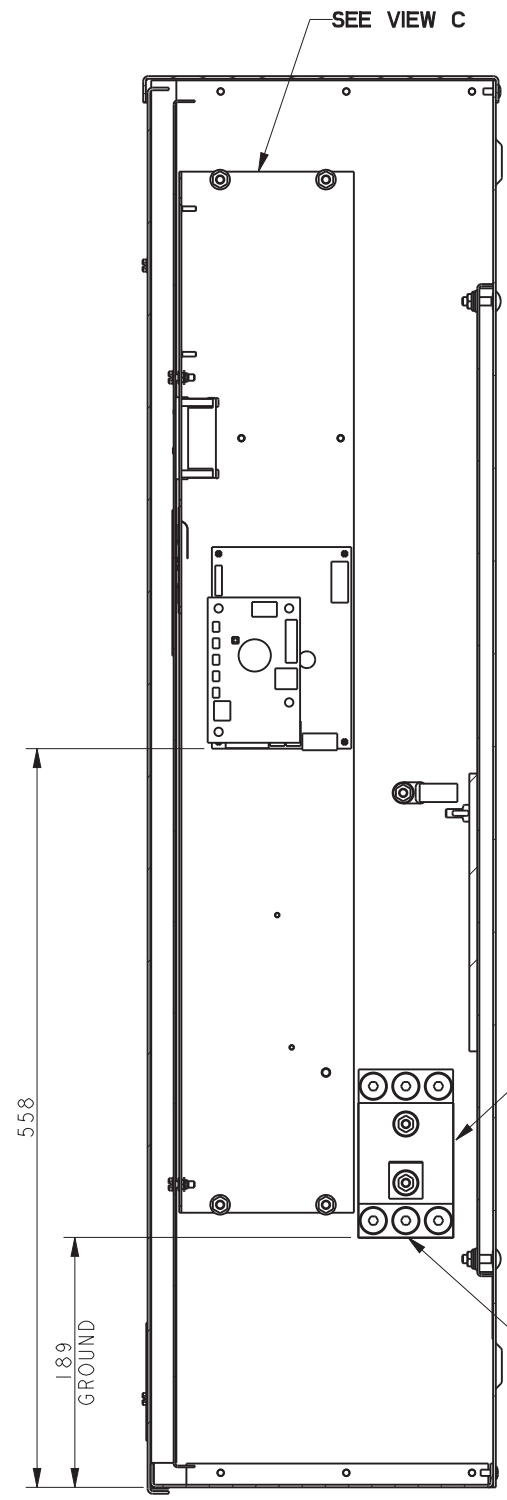
KOHLER CO. METRIC PRO-E	
POWER SYSTEMS, KOHLER, WI 53044 U.S.A.	
THIS DRAWING IN DESIGN AND DETAIL IS KOHLER CO. PROPERTY AND MUST NOT BE USED EXCEPT IN CONNECTION WITH KOHLER CO. WORK. ALL RIGHTS OF DESIGN OR INVENTION ARE RESERVED.	
TITLE DIMENSION PRINT	
SCALE 0.25	CAD NO.
DWG NO. ADV-8439	SHEET 1 of 2
APPROVED MTL 8-17-11	D



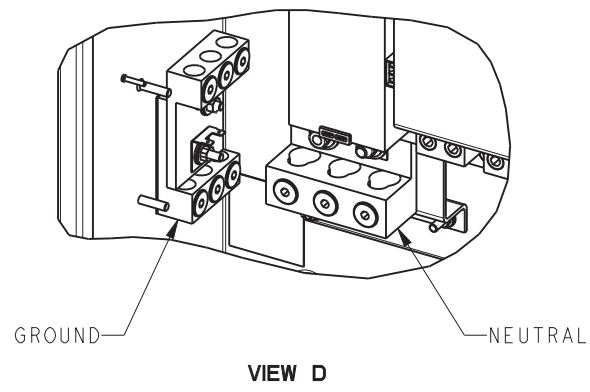
COVER & INNER PANEL REMOVED TO SHOW DETAIL



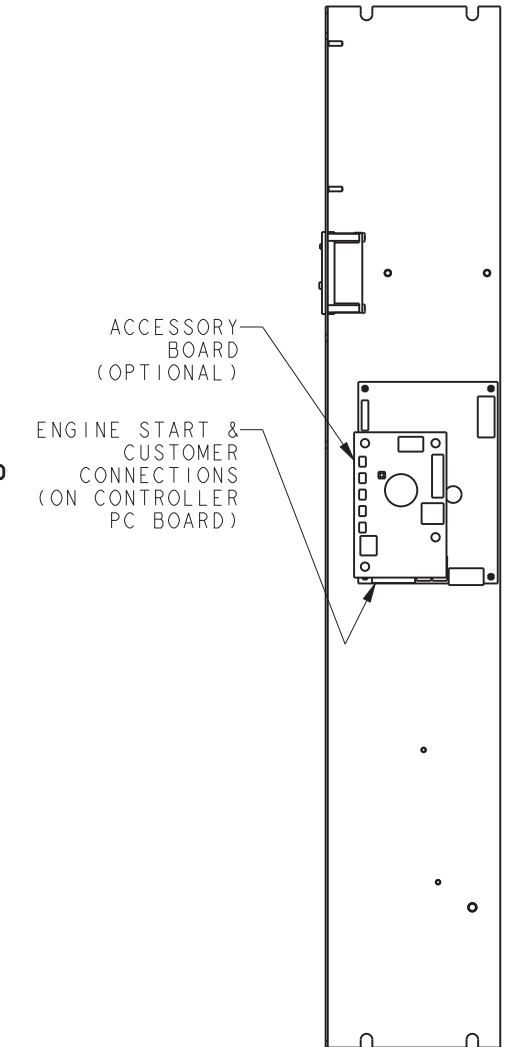
SECTION A-A



SECTION B-B



VIEW D



VIEW C

A. SCREW TYPE TERMINALS FOR EXTERNAL POWER CONNECTION

SWITCH RATING (AMPS)	RANGE OF AL-CU WIRE SIZES		
	CONTACTOR (PER PHASE)	NEUTRAL	GROUND
400	(2) #6 TO 250 KCMIL	(6) 1/0 TO 250 KCMIL OR (3) #4 TO 600 KCMIL	(6) #6 TO 3/0 AWG
TORQUE	275 lbf-in (31.1 Nm)	UP TO 250 KCMIL 275 lbf-in (31.1 Nm) 300 KCMIL TO 600 KCMIL 500 lbf-in (56.5 Nm)	275 lbf-in (31.1 Nm)

MODEL R
MPAC 500 400A
SPECIFIC BREAKER RATED
STANDARD TRANSITION
NEMA 3R

REV	DATE	ON COMPOSITE DWGS. SEE PART NO. FOR REVISION LEVEL	BY
-	8-17-11	NEW DRAWING [90714-4]	BTW
A	3-11-13	(A-6) (3) #6 TO 3/0 AWG WAS #14 TO 1/0 AWG; [CT40695]	BTW
B	7-16-13	(C-8) LOAD CONTROL (OPTION) SHOWN; [CT48126]	BTW
C	1-9-15	(A-8) (2) #6 TO 250 KCMIL WAS (2) 1/0 TO 250 KCMIL, (1) #4 TO 600 KCMIL REMOVED; [CT103061]	BTW
D	1-12-18	(A-5)(6) #6 TO 3/0 AWG WAS (3) #6 TO 3/0 AWG; [CT183231]	BTW
E	4-10-18	(A-8) TABLE UPDATED [CT186584]	RMJ

APPROVALS		DATE
DRAWN	BTW	8-17-11
CHECKED	BTW	8-17-11
APPROVED	MTL	8-17-11

KOHLER CO. METRIC PRO-E
POWER SYSTEMS, KOHLER, WI 53044 U.S.A.
THIS DRAWING IN DESIGN AND DETAIL IS KOHLER CO. PROPERTY AND MUST NOT BE USED EXCEPT IN CONNECTION WITH KOHLER CO. WORK. ALL RIGHTS OF DESIGN OR INVENTION ARE RESERVED.

TITLE: **DIMENSION PRINT**

SCALE: 0.35 CAD NO. SHEET 2 of 2
DWG NO. **ADV-8439**