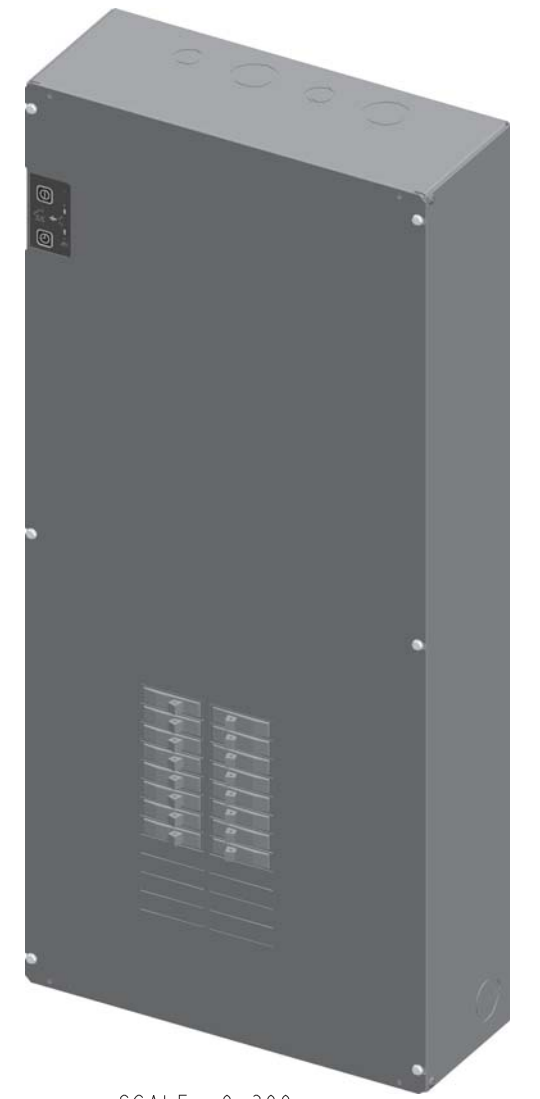
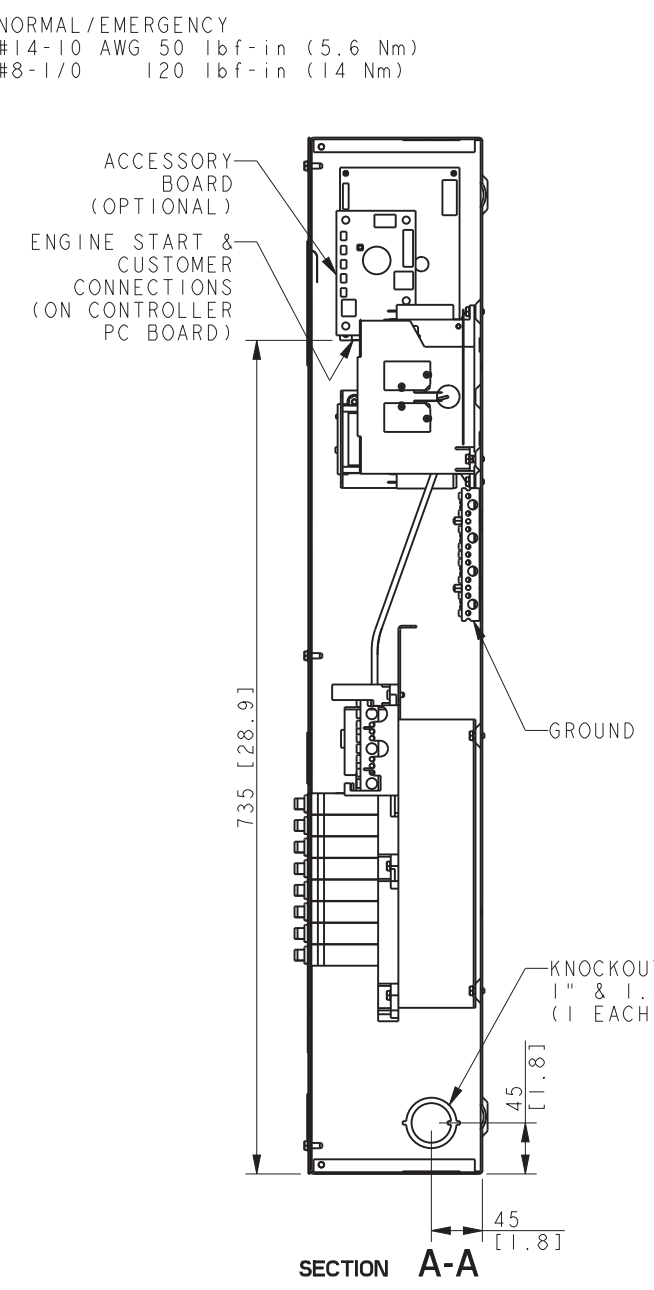
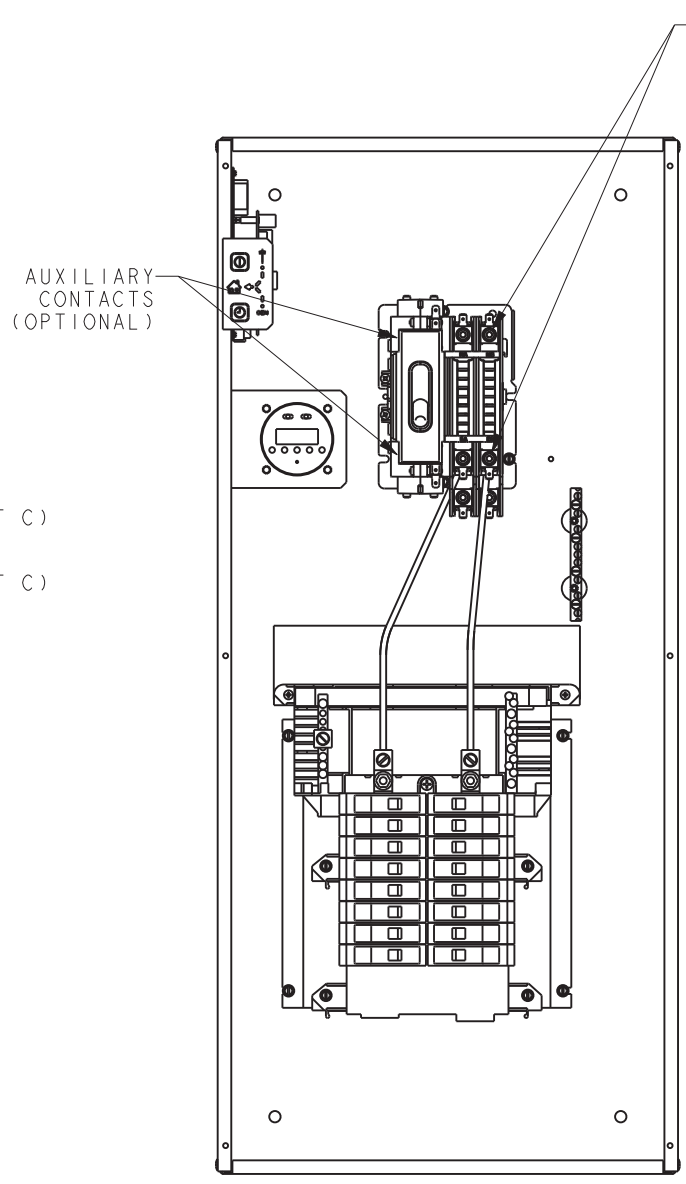
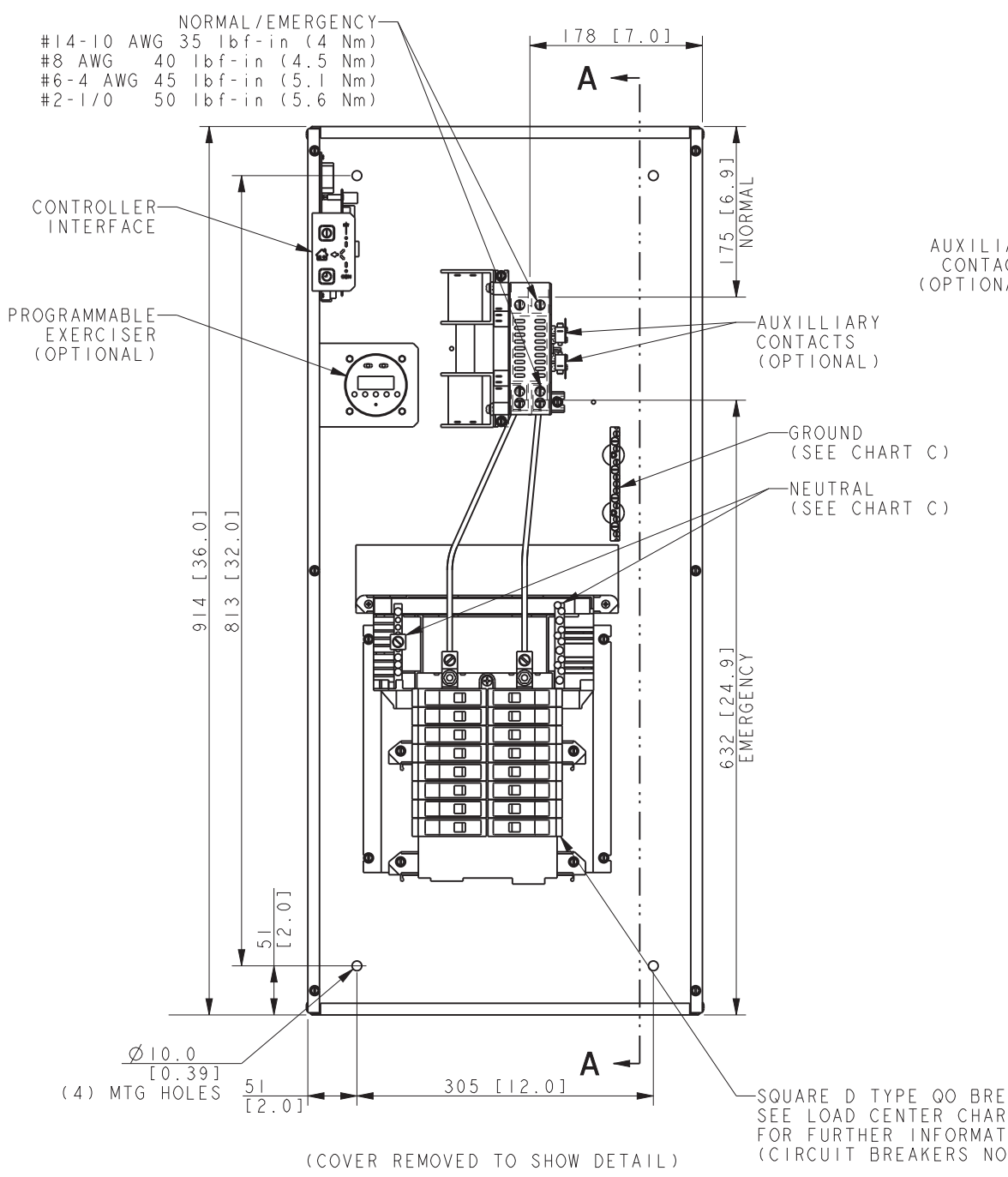


**A: SCREW TYPE TERMINALS FOR EXTERNAL POWER CONNECTION**

SWITCH RATING (AMPS)	RANGE OF AL-CU WIRE SIZES		
	CONTACTOR (PER PHASE)	NEUTRAL	GROUND
100	(1) #14-1/0 AWG	(27) #4-14 AWG (3) #14-1/0 AWG (1) #6 TO 2/0 AWG	(9) #14 TO #6 AWG (4) 1/0 TO #14 AWG

**C: GROUND TORQUE**

	LARGE HOLE	SMALL HOLE
#14-10 AWG	35 lbf-in (4 Nm)	#14-10 AWG 15 lbf-in (1.7 Nm)
#8 AWG	40 lbf-in (4.5 Nm)	
#6-4 AWG	45 lbf-in (5.1 Nm)	
#2-1/0	50 lbf-in (5.6 Nm)	#8-6 AWG 25 lbf-in (2.8 Nm)



SCALE 0.300

NOTES:  
 DIMENSIONS IN [ ] ARE INCHES.  
 FINISH: ANSI 49 GRAY.  
 REFER TO OPERATOR'S MANUAL PRIOR TO INSTALLATION AND OPERATION OF UNIT.  
 APPROXIMATE WEIGHT: 18 Kg (40 LBS.)

**B: LOAD CENTER CHART INFORMATION**

SPACES	MAXIMUM NUMBER OF SINGLE POLE CIRCUITS	MAXIMUM NUMBER OF TANDEM CIRCUIT BREAKERS	MAIN TERMINAL SIZE AWG AL OR CU	NUMBER OF BRANCH NEUTRAL TERMINALS
16	24	8	4-2/0	31

MODEL R  
 100A RESIDENTIAL ATS  
 WITH LOAD CENTER  
 MPAC 500 CONTROLLER  
 STANDARD TRANSITION  
 NEMA 1 ENCLOSURE

REV	DATE	ON COMPOSITE DWGS. SEE PART NO. FOR REVISION LEVEL	BY	UNLESS OTHERWISE SPECIFIED - 1) DIMENSIONS ARE IN MILLIMETERS 2) TOLERANCES ARE:
-	8-12-11	NEW DRAWING [90714-4]	BTW	X.XX ± 0.25 X.X ± 1.0 X ANGLES ± 0° 30'
A	7-16-13	(D-5) NEUTRAL WIRE SIZE UPDATED; [CT48126]	BTW	SURFACE FINISH MAX.
B	7-26-16	LOGO & DECALS REMOVED [CT148955]	BTW	
C	10-4-17	ALTERNATE CONTACTOR VIEW ADDED; (D-3) GROUND: (9)#14-#6AWG WAS (9)#14-#4AWG, (4)1/0-#14AWG ADDED; [CT181683]		THIRD ANGLE PROJECTION
D	4-10-18	(D-2) TABLE C ADDED, (C-6, D-4,8) NOTES ADDED & UPDATED [CT186584]	BTW	APPROVALS
			RMJ	DATE
				8-12-11
				8-12-11
				8-12-11

**KOHLER CO. METRIC PRO-E**  
 POWER SYSTEMS, KOHLER, WI 53044 U.S.A.  
 THIS DRAWING IN DESIGN AND DETAIL IS KOHLER CO. PROPERTY AND MUST NOT BE USED EXCEPT IN CONNECTION WITH KOHLER CO. WORK. ALL RIGHTS OF DESIGN OR INVENTION ARE RESERVED.

**TITLE: DIMENSION PRINT**

SCALE 1.00 CAD NO. SHEET 1 of 1  
 DWG NO. **ADV-8435**