

NOTE:  
 1. DIMENSIONS IN [ ] ARE ENGLISH EQUIVALENTS  
 2. AFTER TREATMENT SUPPORT IS NOT SUPPLIED BY KOHLER AND MUST BE SOURCED SEPARATELY

\*ENCLOSURE WEIGHT DOES NOT INCLUDE EXTERNAL EXHAUST COMPONENTS  
 ALUM. SL2 ENCLOSURE WEIGHT KG [LBS] 4518 [9960]

REFERENCE ENCLOSURE & TANK ADV-9075 FOR ADDITIONAL INFORMATION

EXHAUST COMPONENTS SHOWN FOR REFERENCE. REFER TO GENSET ADV-9163 FOR DETAILS

NON-TABLED DIMENSIONS ARE TYPICAL

PACKAGE INFORMATION		
TANK LITERS [GALLONS]	WEIGHT KG [LBS] (NO FUEL)	TANK EXTENSION WEIGHT KG [LBS]
SL2 LIFT BASE	2648 [5,838]	NA
14130 [3733]	8142 [17,952]	409 [901]

TANK EXTENSIONS NOT TO BE LIFTED WITH TANK AND/OR ENCLOSURE

**KD2500-4 SL2 TIER 4 ENCLOSURE AND LIFTING BASE WITH SUB BASE TANK OPTION**

REV	DATE	ON COMPOSITE DWGS. SEE PART NO. FOR REVISION LEVEL	BY	DO NOT SCALE. REFERENCE THE MODEL FOR ALL UNSPECIFIED DIMENSIONS
-	31JAN2020	NEW DRAWING [CT202014]	ZJS	UNLESS OTHERWISE SPECIFIED: ALL DIMENSIONS IN MILLIMETERS GENERAL TOLERANCES: N/A
A	14APR2020	(A-8) ADDED TIER 4 GENSET ADV REFERENCE NOTE; (B-7) ADDED GENSET MOUNTING HEIGHT; (D-6) ADDED DIMENSION TO FRONT OF GENSET SKID; (C-2) ADDED DIMENSION TO CENTERLINE OF SCR [CT203358]	ZJS	THIRD ANGLE PROJECTION
B	22OCT2020	(B-7) REF DIM 6990 ADDED [CT207157]	CEK	APPROVALS DATE
C	23JAN2023	(A-3) NOTE 2 ADDED [CT224851]	APM	DRWN ZJS 31JAN2020
				CHEKED KJB 31JAN2020
				APPROVED AJW 31JAN2020

**KOHLER**  
 KOHLER, WISCONSIN 53044  
 THIS DRAWING IN DESIGN AND DETAIL IS KOHLER CO. PROPERTY AND MUST NOT BE USED EXCEPT IN CONNECTION WITH KOHLER CO. WORK. ALL RIGHTS OF DESIGN OR INVENTION ARE RESERVED.

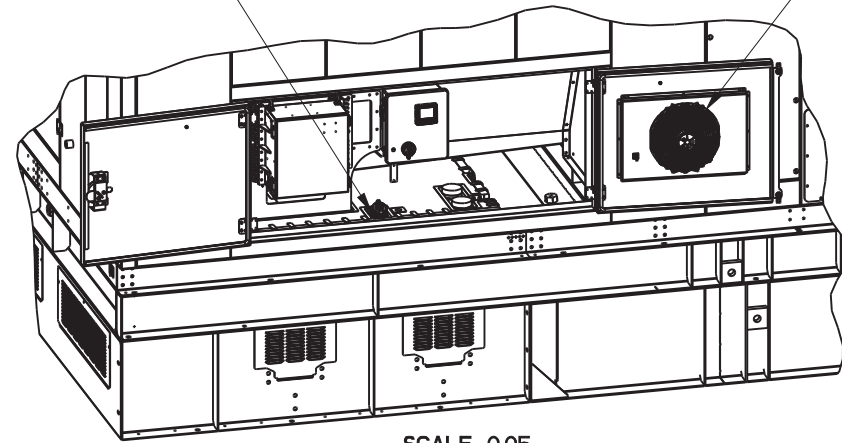
TITLE **DIMENSION PRINT KD2500-4 TIER4 ENCL/TANK**

SCALE NA CAD NO. SHEET 1 of 3

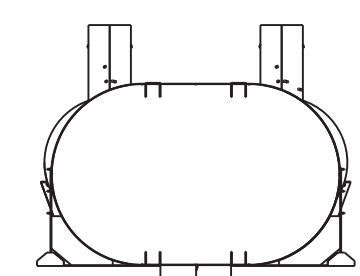
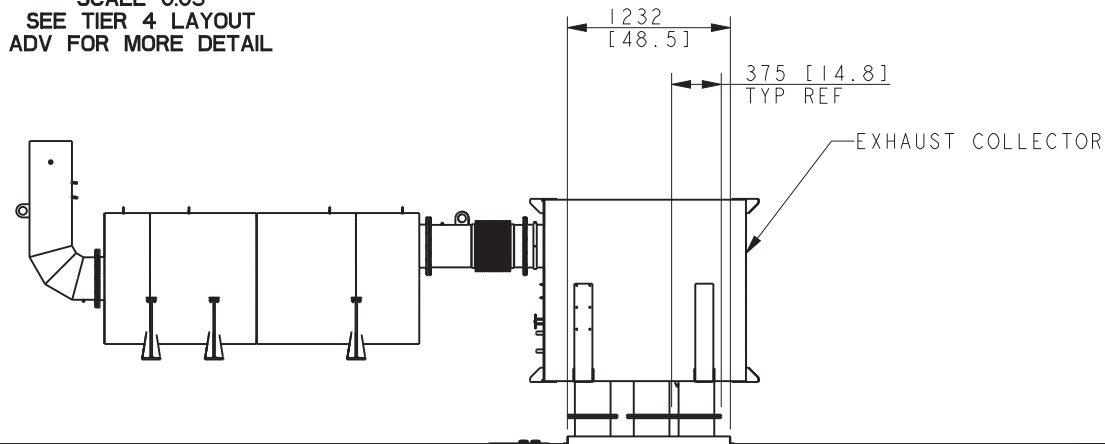
DWG NO. **ADV-9179**

DEF FILL LOCATION

EXHAUST FAN



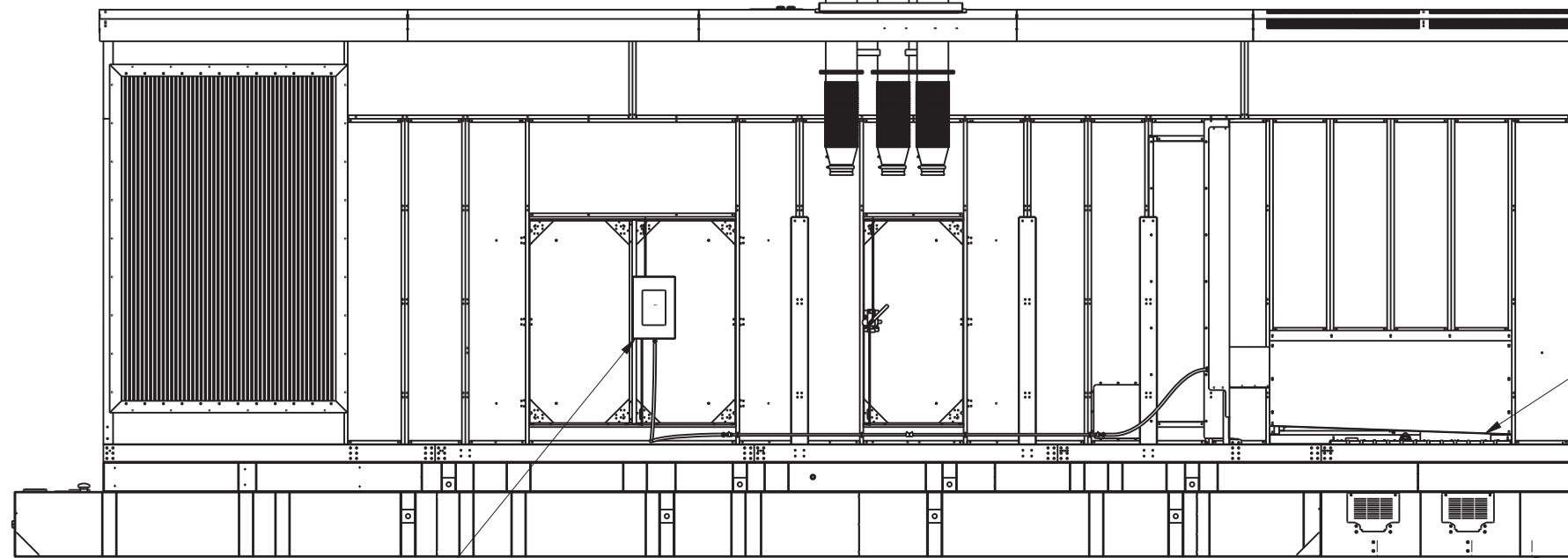
SCALE 0.05  
SEE TIER 4 LAYOUT  
ADV FOR MORE DETAIL



FLEXIBLE EXHAUST PIPES

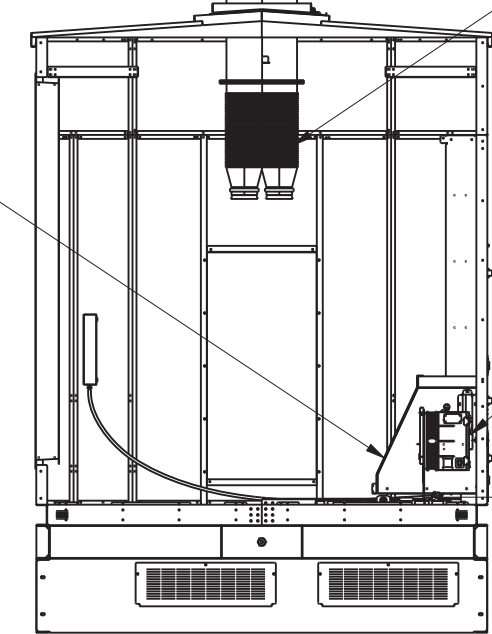
ALTERNATOR END

RADIATOR END



DEF BOX REAR PANEL IS REMOVABLE FOR SERVICE

DISCHARGE FLOOR IS REMOVABLE FOR SERVICE



DEF TANK HEATER RECEPTACLE BOX


465 [18.3]  
DEF FILL HEIGHT FROM TOP OF FUEL TANK

LOAD CENTER

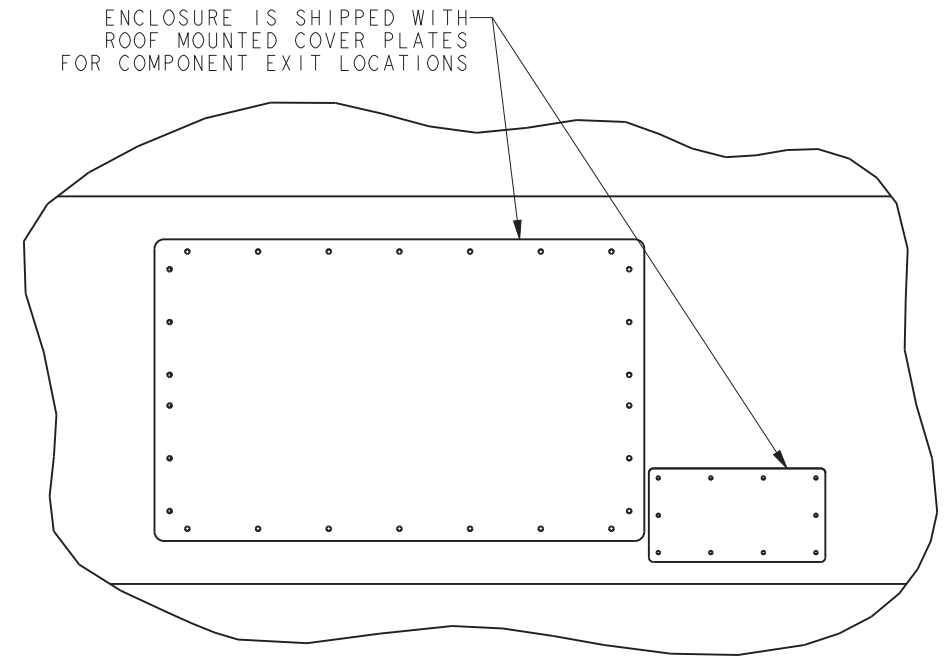
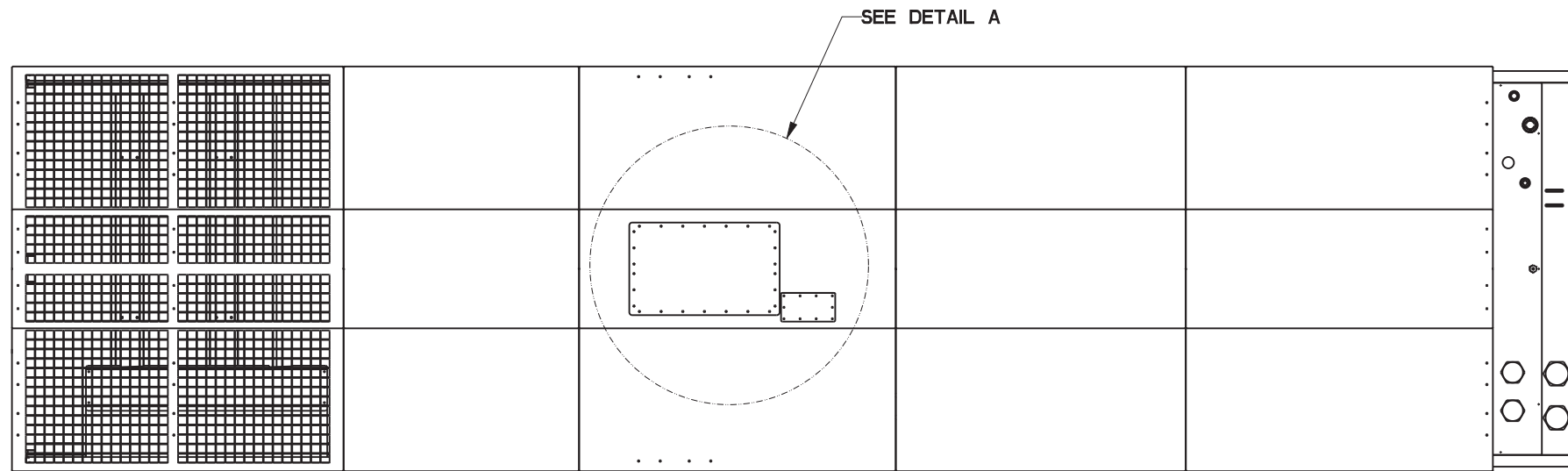
483 [19.0] 813 [32.0] 516 [20.3]

3X Ø23.0 [0.91] MOUNTING HOLES BOTH SIDES

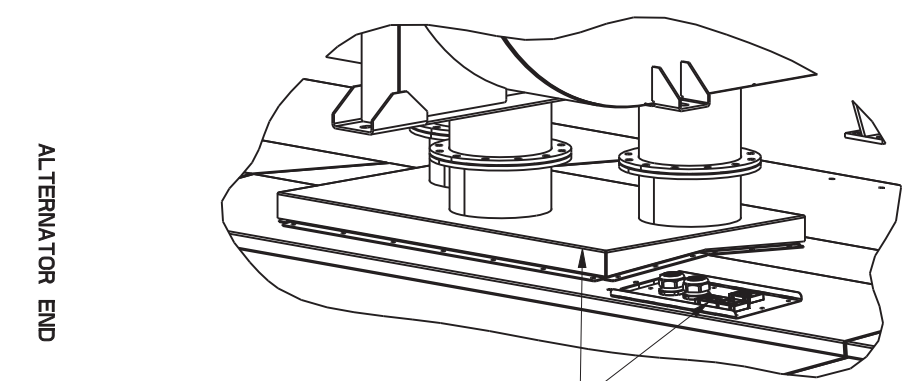
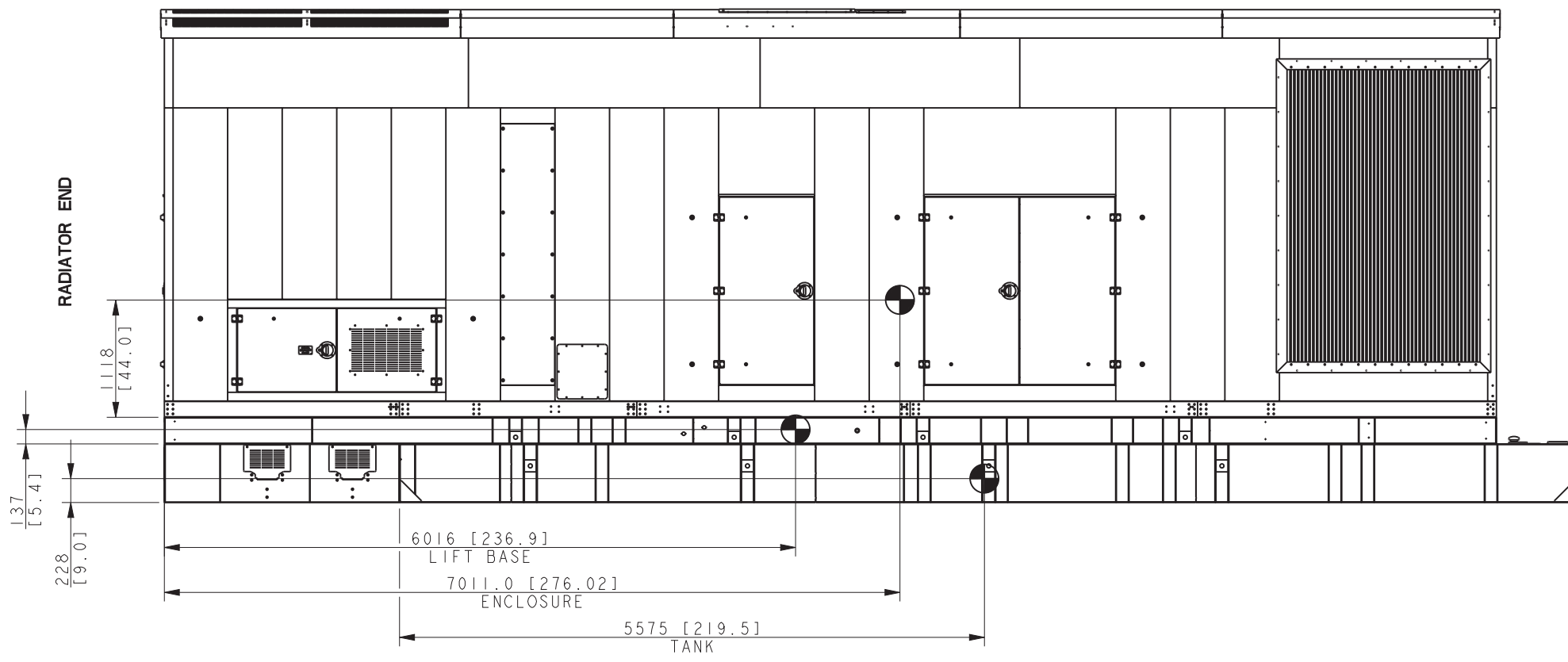
SL2 EXTENSION MOUNTING, ENCLOSURE COMPONENT LOCATION

REV	DATE	ON COMPOSITE DWGS. SEE PART NO. FOR REVISION LEVEL	BY	DO NOT SCALE. REFERENCE THE MODEL FOR ALL UNSPECIFIED DIMENSIONS
-	31JAN2020	NEW DRAWING [CT202014]	ZJS	UNLESS OTHERWISE SPECIFIED: ALL DIMENSIONS IN MILLIMETERS GENERAL TOLERANCES: N/A
A	14APR2020	SEE SHEET 1 [CT203358]	ZJS	 <b>KOHLER</b> KOHLER, WISCONSIN 53044 THIS DRAWING IN DESIGN AND DETAIL IS KOHLER CO. PROPERTY AND MUST NOT BE USED EXCEPT IN CONNECTION WITH KOHLER CO. WORK. ALL RIGHTS OF DESIGN OR INVENTION ARE RESERVED. <b>TITLE DIMENSION PRINT KD2500-4 TIER4 ENCL/TANK</b>
B	22OCT2020	SEE SHEET 1 [CT207157]	CEK	
C	23JAN2023	SEE SHEET 1 [CT224851]	APM	
			APPROVALS	DATE
			DRAWN	ZJS 31JAN2020
			CHECKED	KJB 31JAN2020
			APPROVED	AJW 31JAN2020
				SCALE NA CAD NO. SHEET 2 of 3
				DWG NO. <b>ADV-9179</b>

D



DETAIL A  
SCALE 0.10



SCALE 0.10

SL2 CENTER OF GRAVITY POINTS FOR ENCLOSURE, LIFT BASE, AND TANK VARIATIONS

REV	DATE	ON COMPOSITE DWGS. SEE PART NO. FOR REVISION LEVEL	BY	DO NOT SCALE. REFERENCE THE MODEL FOR ALL UNSPECIFIED DIMENSIONS
-	31JAN2020	NEW DRAWING [CT202014]	ZJS	<small>UNLESS OTHERWISE SPECIFIED: ALL DIMENSIONS IN MILLIMETERS GENERAL TOLERANCES: N/A</small> <b>KOHLER.</b> <small>KOHLER, WISCONSIN 53044</small> THIS DRAWING IN DESIGN AND DETAIL IS KOHLER CO. PROPERTY AND MUST NOT BE USED EXCEPT IN CONNECTION WITH KOHLER CO. WORK. ALL RIGHTS OF DESIGN OR INVENTION ARE RESERVED. <b>TITLE</b> <b>DIMENSION PRINT KD2500-4 TIER4 ENCL/TANK</b>
A	14APR2020	SEE SHEET 1 [CT203358]	ZJS	
B	22OCT2020	SEE SHEET 1 [CT207157]	CEK	
C	23JAN2023	SEE SHEET 1 [CT224851]	APM	
				<small>THIRD ANGLE PROJECTION</small> 
		APPROVALS	DATE	
		DRAWN	ZJS	31 JAN 2020
		CHECKED	KJB	31 JAN 2020
		APPROVED	AJW	31 JAN 2020
				<small>SCALE</small> NA <small>CAD NO.</small> <small>SHEET</small> 3 of 3 <b>ADV-9179</b>