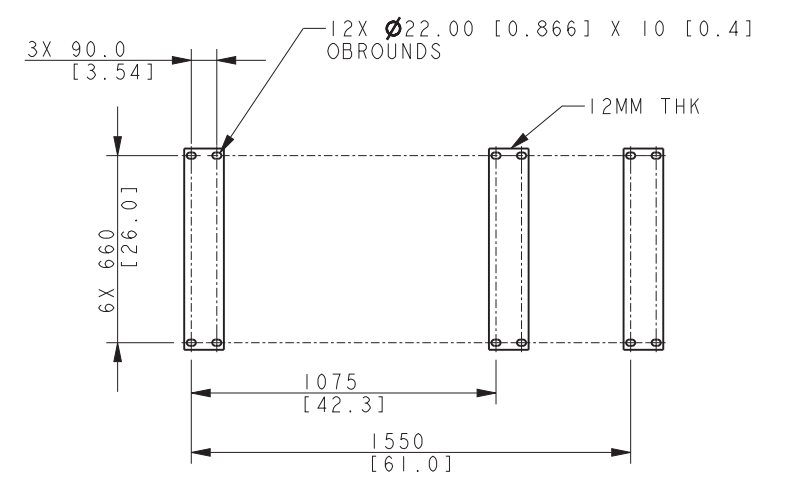
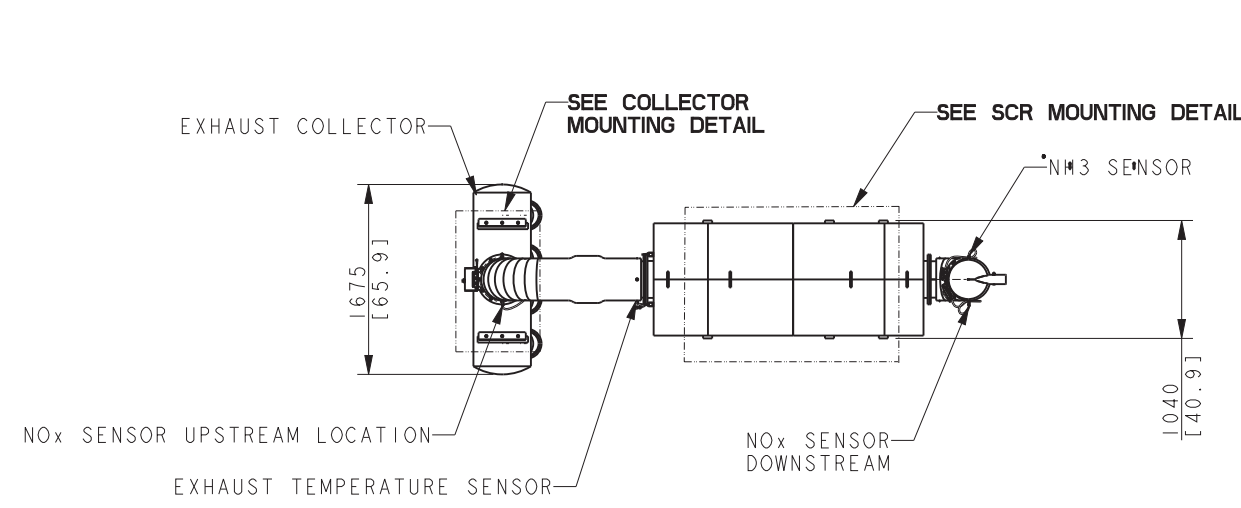
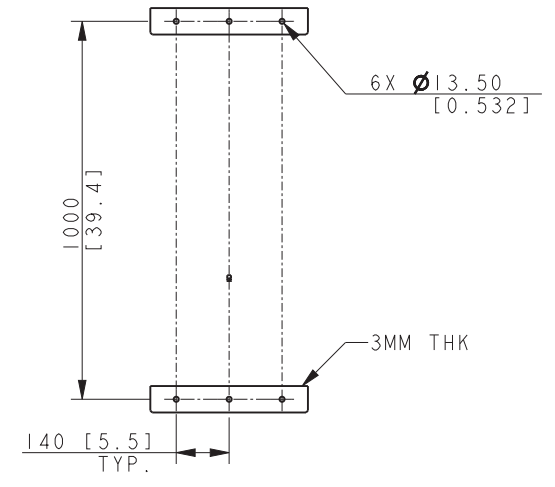


8 7 6 5 4 3 2 1

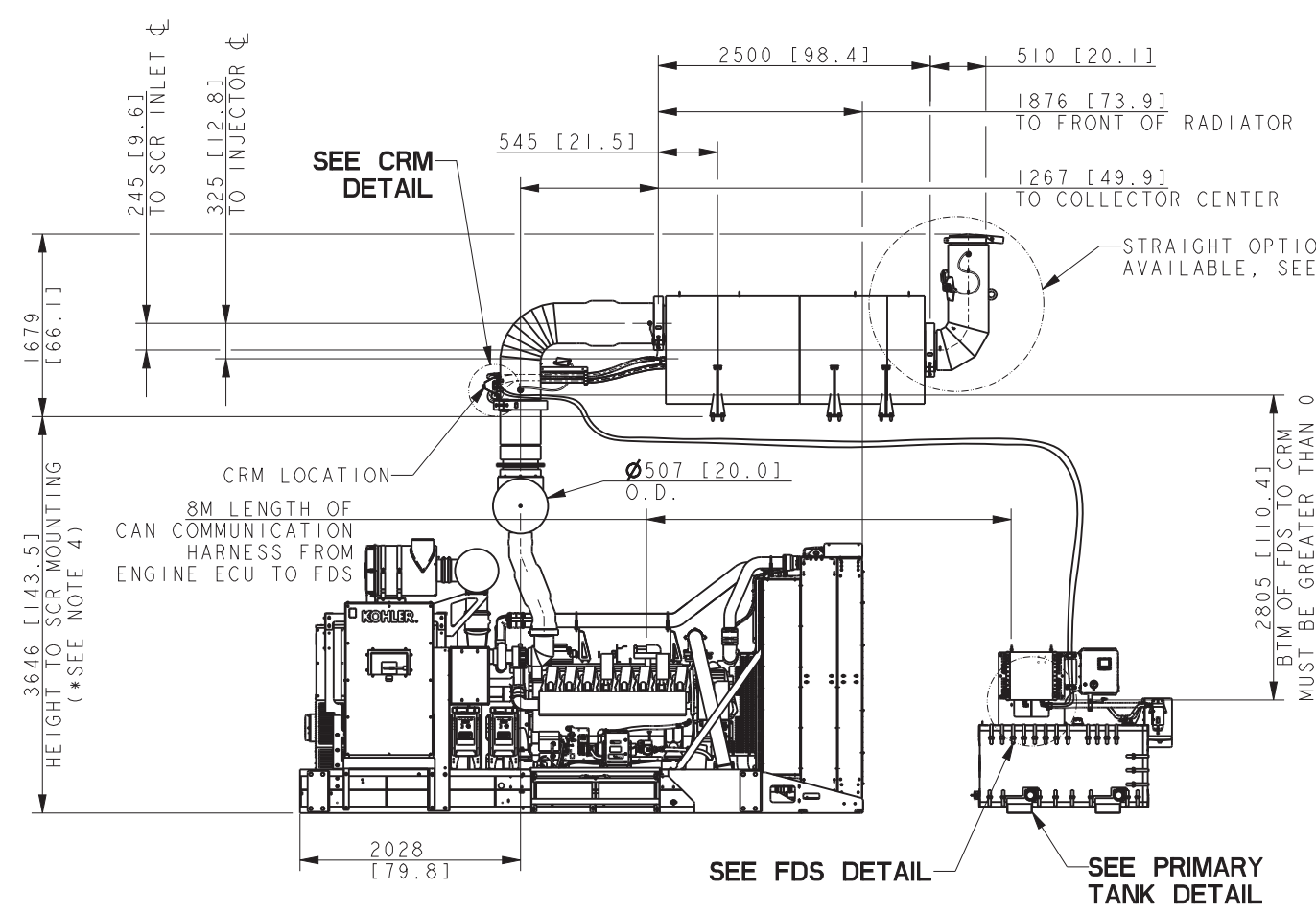


ACRONYM	FULL DESCRIPTION
DEF	DIESEL EXHAUST FLUID
SCR	SELECTIVE CATALYTIC REDUCTION
CRM	COMMON RAIL MANIFOLD
FDS	FLUID DOSING SYSTEM

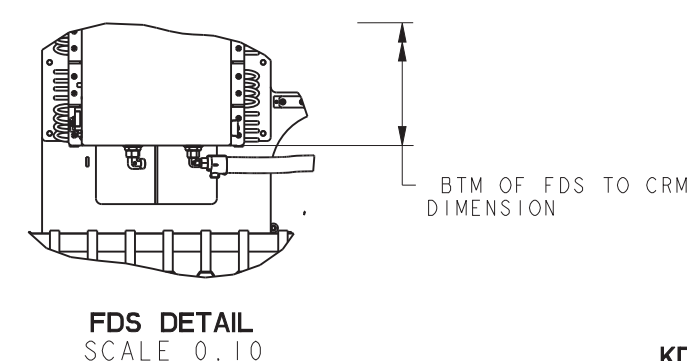
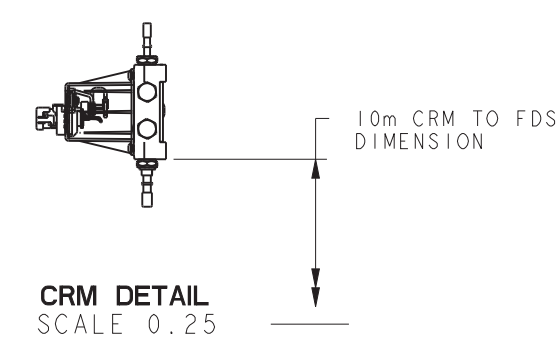
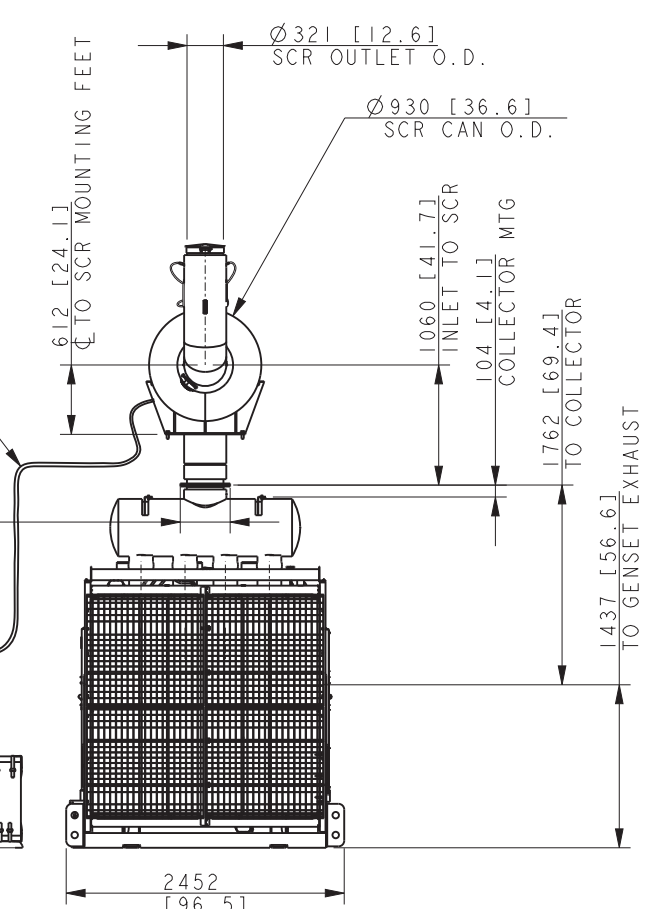
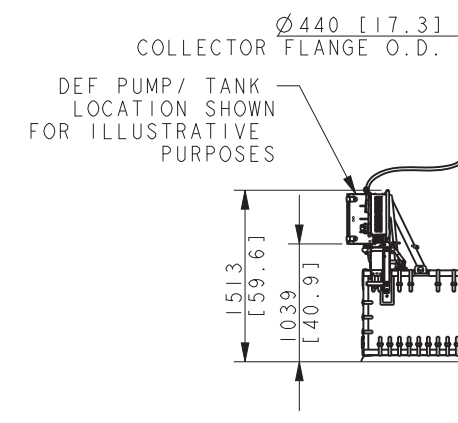


SCR MOUNTING DETAIL
SCALE 0.08

COLLECTOR MOUNTING DETAIL
SCALE 0.10
(*SEE NOTE 3)



DEF LINES ARE MADE OF EPDM WITH A BEND RADIUS OF 145MM AND LENGTH OF 10 METERS. MOUNTING HARDWARE IS PROVIDED.



KD1250-4
TIER 4 CERTIFIED

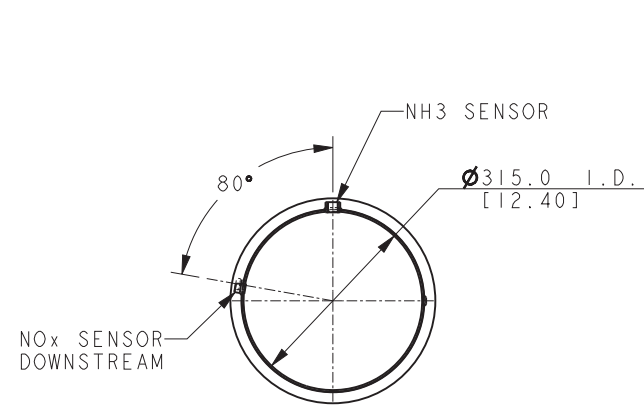
- NOTES:
- SEE BASE GENERATOR ADV-9015 FOR MORE DIMENSIONAL INFORMATION.
 - SEE TP-7186 FOR MORE INFORMATION ON AFTER TREATMENT SYSTEM.
 - COLLECTOR MOUNTING MUST FULLY SUPPORT EXHAUST PIPING SUCH THAT NO WEIGHT IS ON TURBO ELBOWS.
 - IT IS RECOMMENDED THAT THE STRUCTURE MANUFACTURING AND MOUNTING PAD CONSTRUCTION TOLERANCES BE SUBTRACTED FROM THIS DIMENSION AND THE SCR BE SHIMMED DURING INSTALLATION TO ALLOW PROPER ALIGNMENT OF THE SYSTEM COMPONENTS.
 - AFTER TREATMENT SUPPORT IS NOT SUPPLIED BY KOHLER AND MUST BE SOURCED SEPARATELY

REV	DATE	ON COMPOSITE DWGS, SEE PART NO. FOR REVISION LEVEL	BY	DO NOT SCALE, REFERENCE THE MODEL FOR ALL UNSPECIFIED DIMENSIONS
-	1-2-20	NEW DRAWING [CT200659]	BGW	UNLESS OTHERWISE SPECIFIED: ALL DIMENSIONS IN MILLIMETERS GENERAL TOLERANCES: N/A
A	10CT2020	(B-8) CAN HARNESS NOTE ADDED, (A-3) NOTE 2: TP-7186 WAS TP-7153 [CT207157]	CEK	
B	23JAN2023	(A-3) NOTE 5 ADDED [CT224851]	APM	

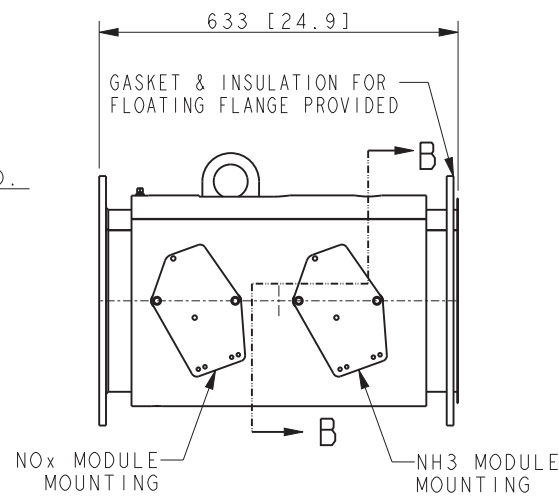
APPROVALS	DATE
DRAWN BGW	1-2-20
CHECKED DJV	1-2-20
APPROVED BMK	1-2-20

KOHLER KOHLER, WISCONSIN 53044 THIS DRAWING IN DESIGN AND DETAIL IS KOHLER CO. PROPERTY AND MUST NOT BE USED EXCEPT IN CONNECTION WITH KOHLER CO. WORK. ALL RIGHTS OF DESIGN OR INVENTION ARE RESERVED.	
TITLE: DIMENSION PRINT, KD1250-4 (T4-CERTIFIED)	
SCALE 0.03	CAD NO. [] SHEET 1 of 3
DWG NO. ADV-9178	

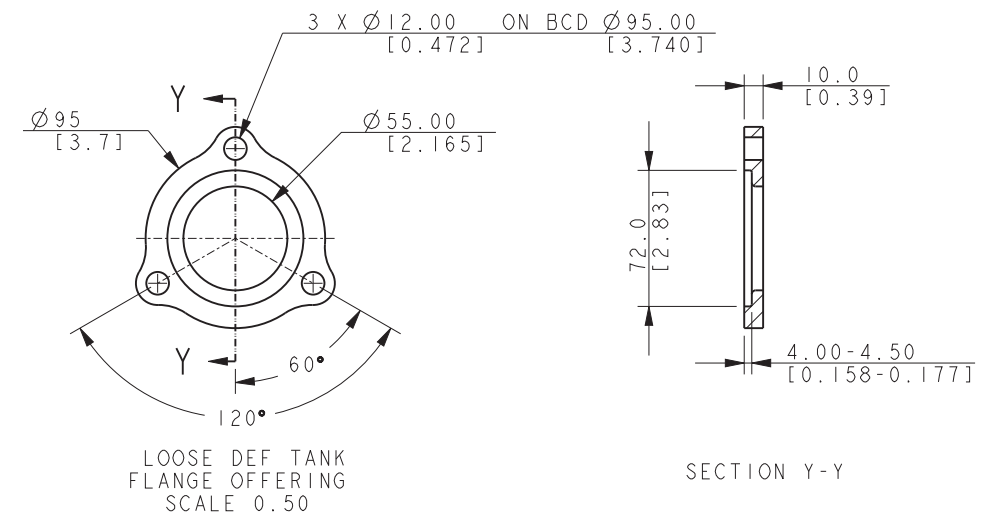
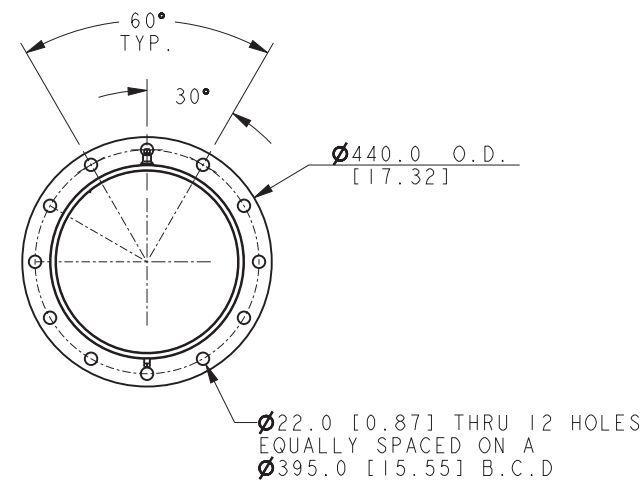
8 7 6 5 4 3 2 1



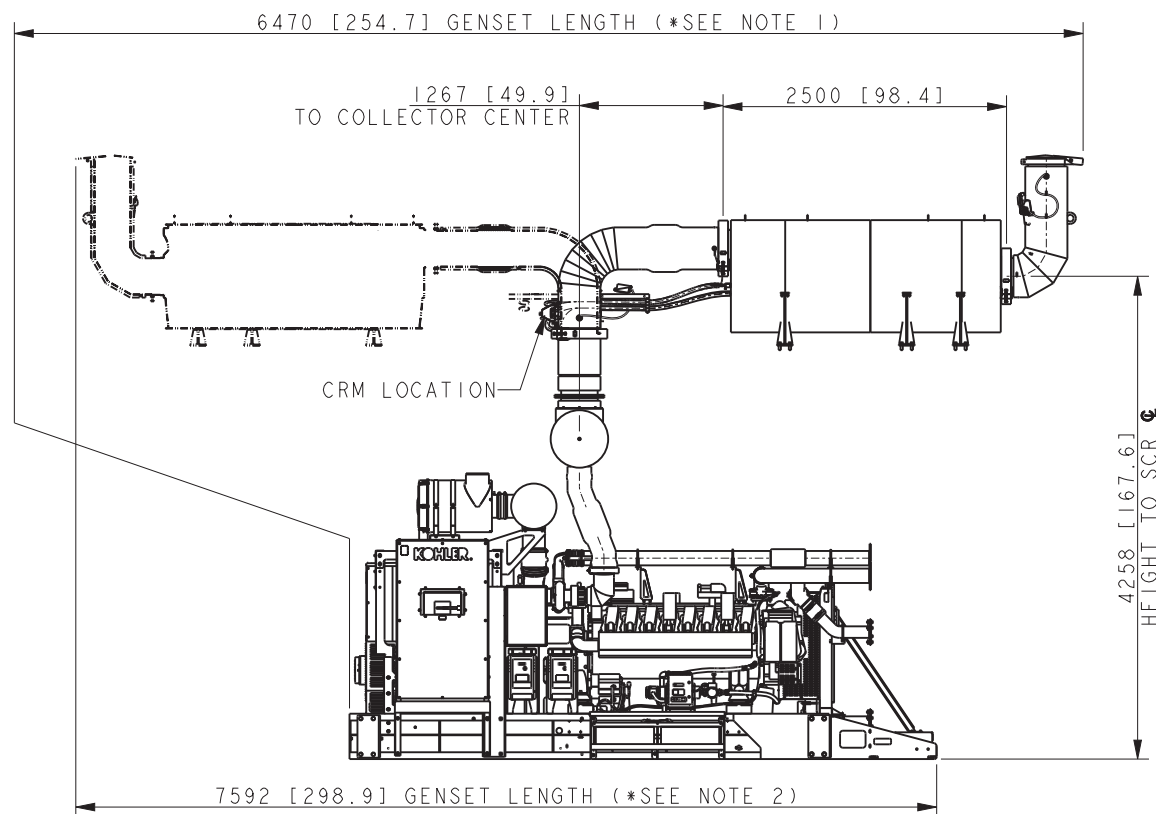
SECTION B-B



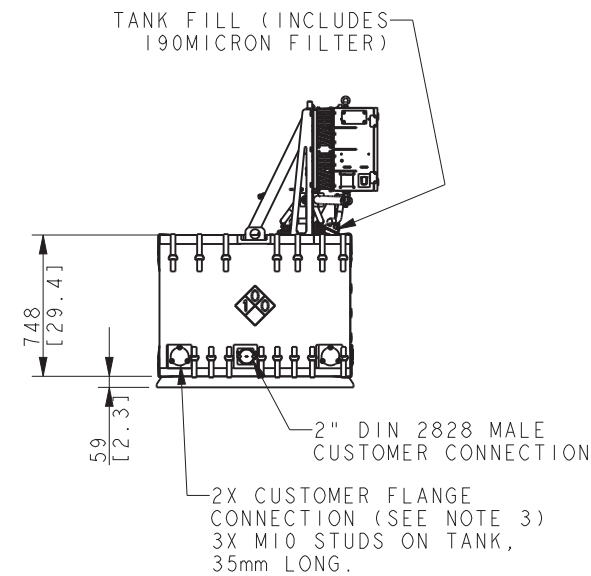
STRAIGHT OUTLET OPTION
SCALE 0.15



SECTION Y-Y



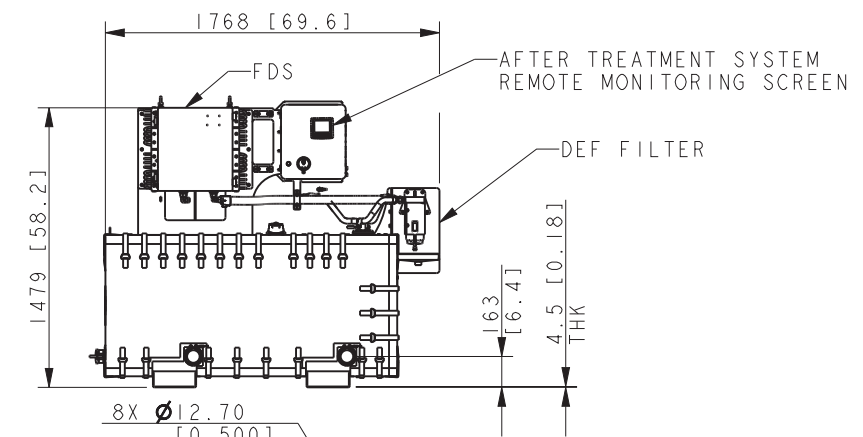
REMOTE RADIATOR CONFIGURATION SHOWN FOR VISUALIZATION



CONTROLLER PEDESTAL



POWER SUPPLY VIEW
(LEFT SIDE OF GENSET COVER REMOVED FOR CLARITY)
SCALE 0.07



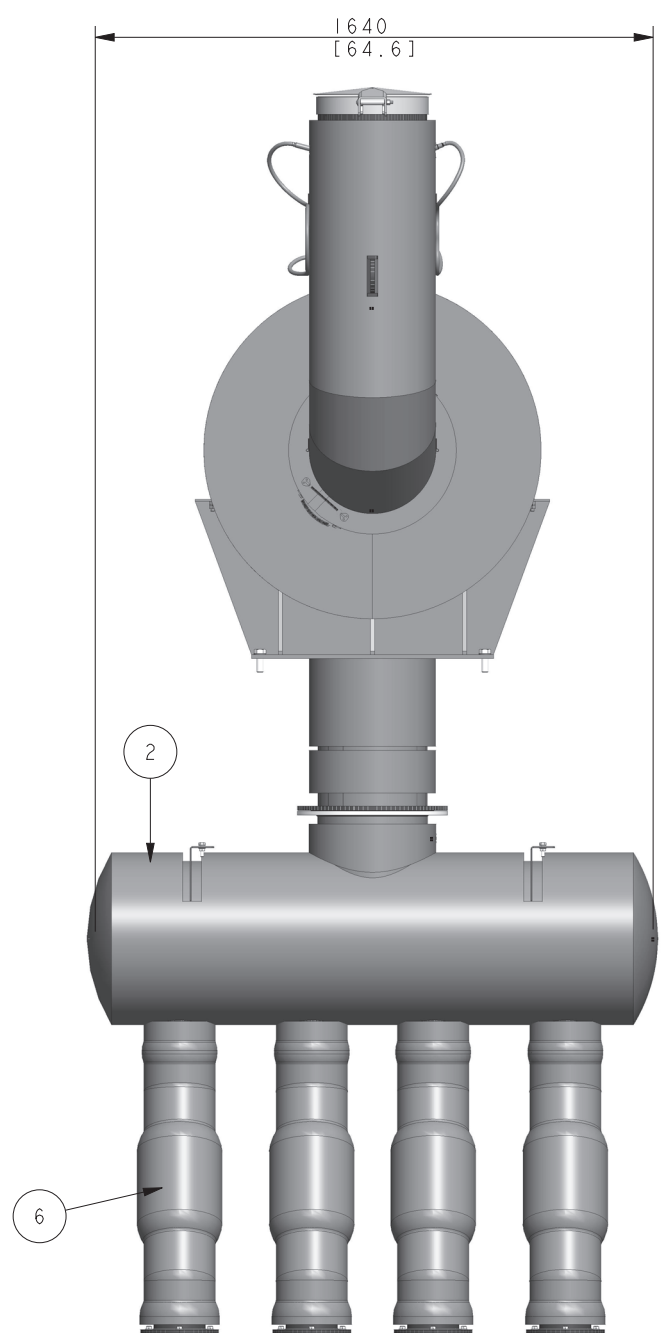
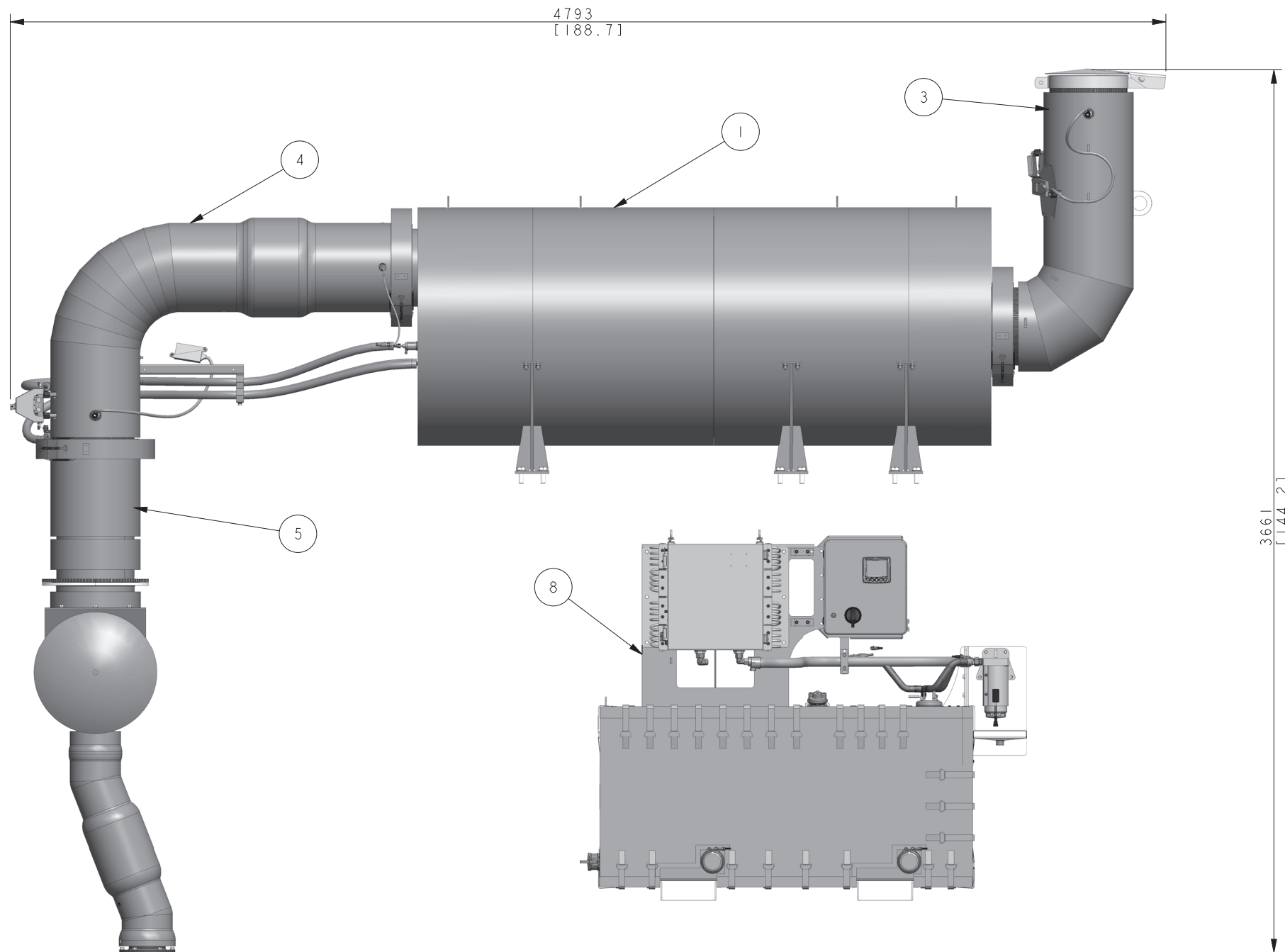
PRIMARY DEF TANK DETAIL
SCALE 0.05

- NOTES:
- GENSET LENGTH WITH SCR SYSTEM ON FORWARD FACING.
 - GENSET LENGTH WITH SCR SYSTEM ON REARWARD FACING.
 - 2X CUSTOMER FLANGE CONNECTION ON TANK AVAILABLE UNLESS ENCLOSED WITH 2960 GALLON SUBBASE TANK SELECTED, THEN ONLY 1X FLANGE CONNECTION IS AVAILABLE.
 - SCR DOSING SYSTEM IS 24V DC PROVIDED BY THE GENERATOR.

REV	DATE	ON COMPOSITE DWGS, SEE PART NO. FOR REVISION LEVEL	BY	DO NOT SCALE, REFERENCE THE MODEL FOR ALL UNSPECIFIED DIMENSIONS
-	1-2-20	NEW DRAWING [CT200659]	BGW	UNLESS OTHERWISE SPECIFIED: ALL DIMENSIONS IN MILLIMETERS GENERAL TOLERANCES: N/A
A	10OCT2020	(B-4) POWER SUPPLY VIEW ADDED, (C-2) ADJUST LEADER FOR MONITOR SCREEN, (D-3) DEF TANK FLANGE VIEW UPDATED [CT207157]	CEK	KOHLER KOHLER, WISCONSIN 53044 THIS DRAWING IN DESIGN AND DETAIL IS KOHLER CO. PROPERTY AND MUST NOT BE USED EXCEPT IN CONNECTION WITH KOHLER CO. WORK. ALL RIGHTS OF DESIGN OR INVENTION ARE RESERVED. TITLE: DIMENSION PRINT, KD1250-4 (T4-CERTIFIED) SCALE: 0.03 CAD NO. SHEET 2 of 3 DWG NO. ADV-9178
B	23JAN2023	SEE SHEET 1 [CT224851]	APM	
APPROVALS DRAWN: BGW 1-2-20 CHECKED: DJV 1-2-20 APPROVED: BMK 1-2-20				THIRD ANGLE PROJECTION

KD1250-4
TIER 4 CERTIFIED

ITEM NO	PART NUMBER	DESCRIPTION	MASS [Kg]	QTY	SUBTOTAL OF MASS [Kg]	NOTES
1	10901011701	SCR	550	1	550	
2	10901015700	COLLECTOR, EXHAUST, K135V16	43	1	43	
3	10901015800	TUBE, OUTLET SCR (DOWNSTREAM)	43	1	43	
4	10901015900	TUBE, INLET SCR, K135V16	78	1	78	
5	10901023701	PIPE, EXHAUST	26	1	26	
6	10901015600	TUBE, FLEX EXHAUST	2	4	9	
7	-	INSULATION, PIPING	48	1	48	
GRAND TOTAL MASS [Kg]					826	



DEF TANK (ITEM 8)		
DESCRIPTION	MASS [Kg]	NOTES
DRY TANK	416.7	WITH ALL ACCESSORIES
WET TANK	1371.7	WITH ALL ACCESSORIES

**KD1250-4
TIER 4 CERTIFIED**

REV	DATE	ON COMPOSITE DWGS, SEE PART NO. FOR REVISION LEVEL	BY	DO NOT SCALE, REFERENCE THE MODEL FOR ALL UNSPECIFIED DIMENSIONS
-	1-2-20	NEW DRAWING [CT200659]	BGW	UNLESS OTHERWISE SPECIFIED: ALL DIMENSIONS IN MILLIMETERS GENERAL TOLERANCES: N/A
A	10OCT2020	SEE SHEETS 1 & 2 [CT207157]	CEK	
B	23JAN2023	SEE SHEET 1 [CT224851]	APM	
				KOHLER <small>KOHLER, WISCONSIN 53044</small> THIS DRAWING IN DESIGN AND DETAIL IS KOHLER CO. PROPERTY AND MUST NOT BE USED EXCEPT IN CONNECTION WITH KOHLER CO. WORK. ALL RIGHTS OF DESIGN OR INVENTION ARE RESERVED. TITLE: DIMENSION PRINT, KD1250-4 (T4-CERTIFIED)
				<small>THIRD ANGLE PROJECTION</small>
		APPROVALS	DATE	SCALE 1.00 CAD NO. SHEET 3 of 3
		DRAWN	BGW 1-2-20	DWG NO. ADV-9178
		CHECKED	DJV 1-2-20	
		APPROVED	BMK 1-2-20	