

NOTE: DIMENSIONS IN [] ARE ENGLISH EQUIVALENTS
 1. DISTANCE WITH SCR SYSTEM ON FORWARD FACING
 2. DISTANCE WITH SCR SYSTEM ON REARWARD FACING
 3. AFTER TREATMENT SUPPORT IS NOT SUPPLIED BY KOHLER AND MUST BE SOURCED SEPARATELY
 *ENCLOSURE WEIGHT DOES NOT INCLUDE EXTERNAL EXHAUST COMPONENTS

REFERENCE ENCLOSURE & TANK ADV-8927 FOR ADDITIONAL INFORMATION

EXHAUST COMPONENTS SHOWN FOR REFERENCE. REFER TO GENSET ADV-9178 FOR DETAILS

NON-TABLED DIMENSIONS ARE TYPICAL

| PACKAGE INFORMATION | | | | | |
|-----------------------|-----------------------------|--|-------------------------------------|------------------------------|--------------------------------|
| TANK LITERS [GALLONS] | TANK HEIGHT DIM A MM [INCH] | GENSET MOUNTING HEIGHT DIM B MM [INCH] | GENSET TOTAL HEIGHT DIM C MM [INCH] | TANK WEIGHT KG [LBS] (EMPTY) | TANK EXTENSION WEIGHT KG [LBS] |
| SL2 LIFT BASE | SEE DIM | NA | NA | 1424 [3,140] | NA |
| 5863 [1549] | 381 [15.0] | 635 [25.0] | 5931 [233.5] | 5210 [11,486] | 225 [496] |
| 11204 [2960] | 635 [25.0] | 889 [35.0] | 6185 [243.5] | 5857 [12,913] | 386 [850] |

TANK EXTENSION NOT TO BE LIFTED WITH TANK AND/OR ENCLOSURE

KD1250-4 SL2 TIER 4 ENCLOSURE AND LIFTING BASE WITH SUB BASE TANK OPTION

| | |
|-------------------------------------|--------------|
| ALUM. SL2 ENCLOSURE WEIGHT KG [LBS] | 3312 [7,302] |
|-------------------------------------|--------------|

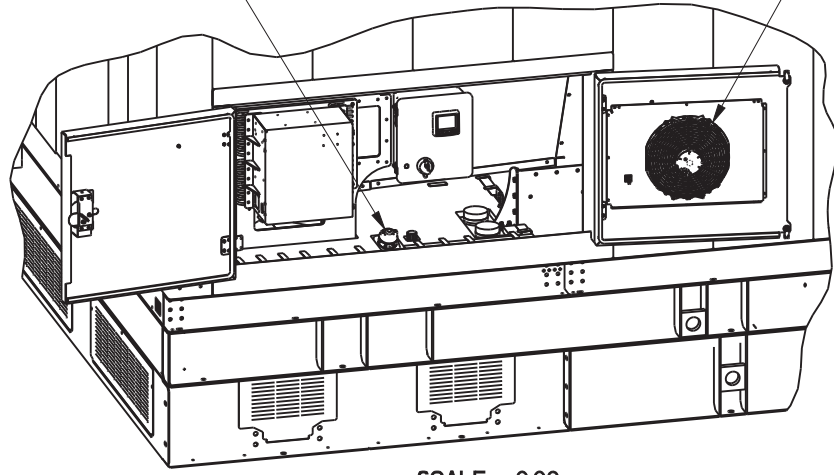
| REV | DATE | ON COMPOSITE DWGS. SEE PART NO. FOR REVISION LEVEL | BY | DO NOT SCALE. REFERENCE THE MODEL FOR ALL UNSPECIFIED DIMENSIONS |
|-----|-----------|--|-----|--|
| - | 16DEC2019 | NEW DRAWING [CT200119] | ZJS | UNLESS OTHERWISE SPECIFIED: ALL DIMENSIONS IN MILLIMETERS GENERAL TOLERANCES: N/A |
| A | 14APR2020 | (A-8) ADDED TIER 4 GENSET ADV REFERENCE NOTE; (A-7)(B-7) ADDED DIMENSION B, GENSET MOUNTING HEIGHT TO TABLE; (D-6) ADDED DIMENSION TO FRONT OF RADIATOR; (C-2) ADDED DIMENSION TO CENTERLINE OF SCR [CT203358]; (B-7) ADDED DIMENSION C, GENSET TOTAL HEIGHT TO TABLE [CT207157] | ZJS | THIRD ANGLE PROJECTION |
| B | 21OCT2020 | (C-4) VIEW UPDATED WITH NEW ORIENTATION OF SCR SYSTEM; (A-1) NOTE 1 & 2 ADDED [CT214298] | CEK | APPROVALS DATE DRAWN ZJS 16DEC2019 CHECKED KJB 16DEC2019 APPROVED AJW 16DEC2019 |
| C | 27AUG2021 | (A-3) NOTE 3 ADDED [CT224851] | RVM | |
| D | 22JAN2023 | | APM | |

KOHLER
 KOHLER, WISCONSIN 53044
 THIS DRAWING IN DESIGN AND DETAIL IS KOHLER CO. PROPERTY AND MUST NOT BE USED EXCEPT IN CONNECTION WITH KOHLER CO. WORK. ALL RIGHTS OF DESIGN OR INVENTION ARE RESERVED.

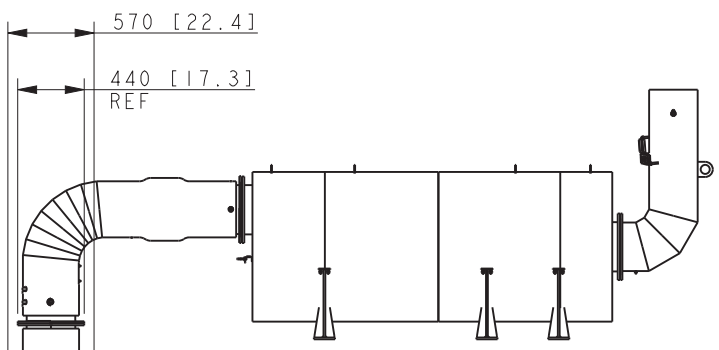
TITLE
DIMENSION PRINT
KD1250-4 TIER4 ENCL/TANK

SCALE: NA CAD NO. SHEET 1 of 3
 DWG NO. **ADV-9167**

DEF FILL LOCATION EXHAUST FAN

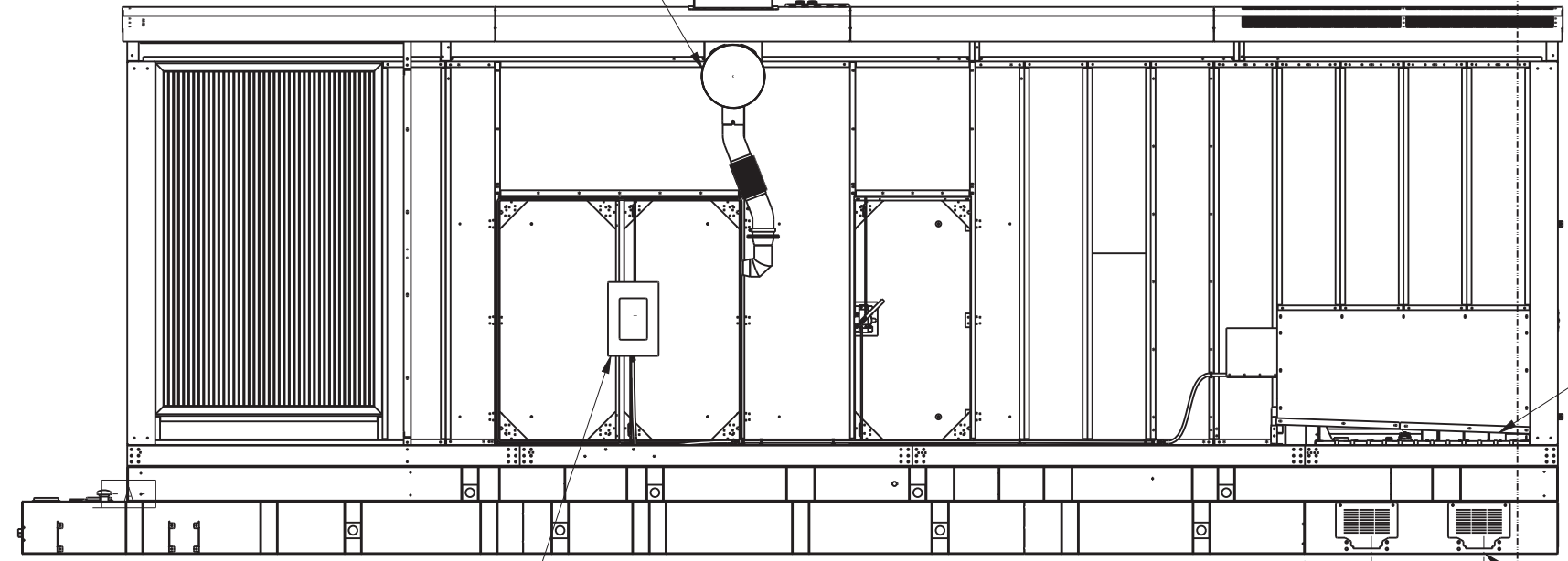


SCALE 0.06
SEE TIER 4 LAYOUT
ADV FOR MORE DETAIL



EXHAUST COLLECTOR

ALTERNATOR END



LOAD CENTER

RADIATOR END

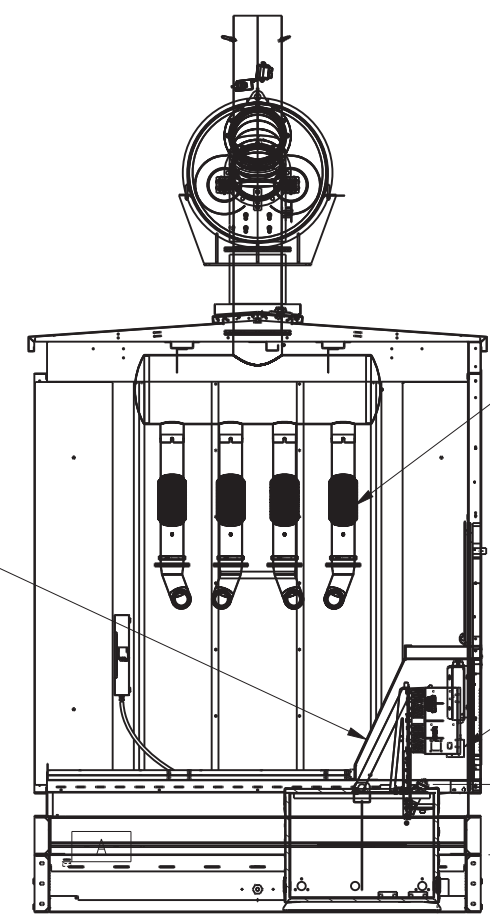
DEF BOX REAR PANEL IS REMOVABLE FOR SERVICE

DISCHARGE FLOOR IS REMOVABLE FOR SERVICE

481 [18.9]

814 [32.0]

2X Ø23.0 [0.91] MOUNTING HOLES, BOTH SIDES



SECTION A-A

FLEXIBLE EXHAUST PIPES

DEF TANK HEATER RECEPTACLE BOX

465 [18.3] DEF FILL HEIGHT FROM TOP OF FUEL TANK

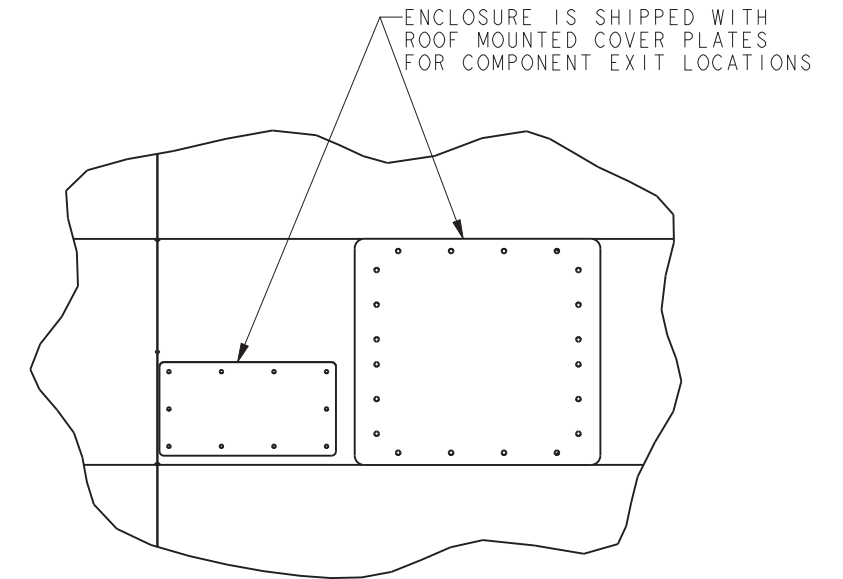
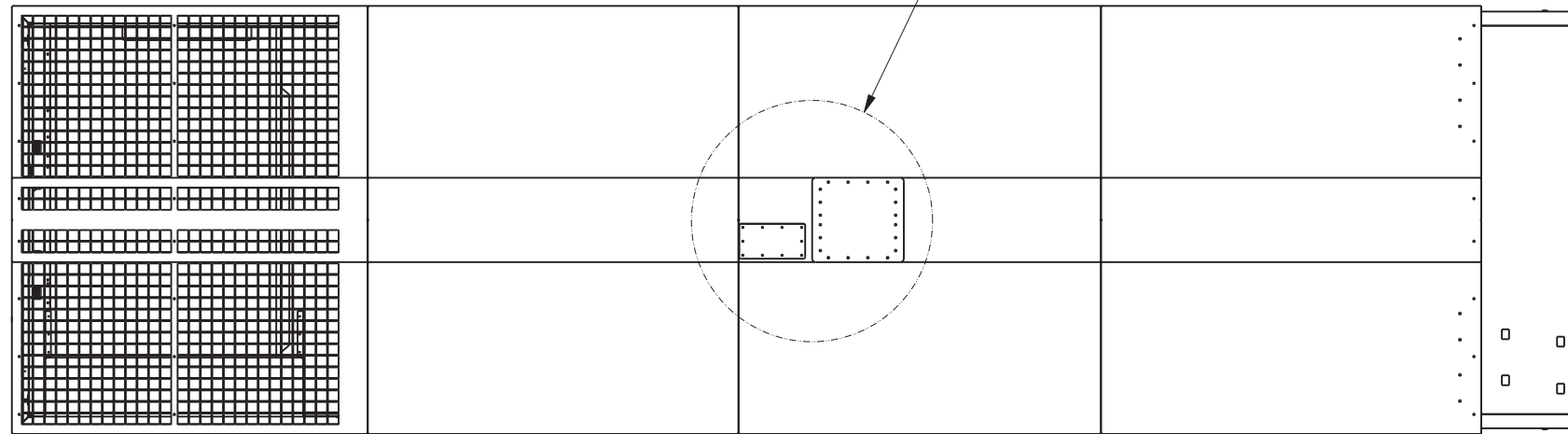
SL2 EXTENSION MOUNTING, ENCLOSURE COMPONENT LOCATION

| REV | DATE | ON COMPOSITE DWGS. SEE PART NO. FOR REVISION LEVEL | BY | DO NOT SCALE. REFERENCE THE MODEL FOR ALL UNSPECIFIED DIMENSIONS |
|-----|-----------|--|-----|---|
| - | 16DEC2019 | NEW DRAWING [CT200119] | ZJS | UNLESS OTHERWISE SPECIFIED: ALL DIMENSIONS IN MILLIMETERS GENERAL TOLERANCES: N/A |
| A | 14APR2020 | SEE SHEET 1 [CT203358] | ZJS | |
| B | 21OCT2020 | SEE SHEET 1 [CT207157] | CEK | |
| C | 27AUG2021 | SEE SHEET 1 [CT214298] | RVM | |
| D | 23JAN2023 | SEE SHEET 1 [CT224851] | APM | |

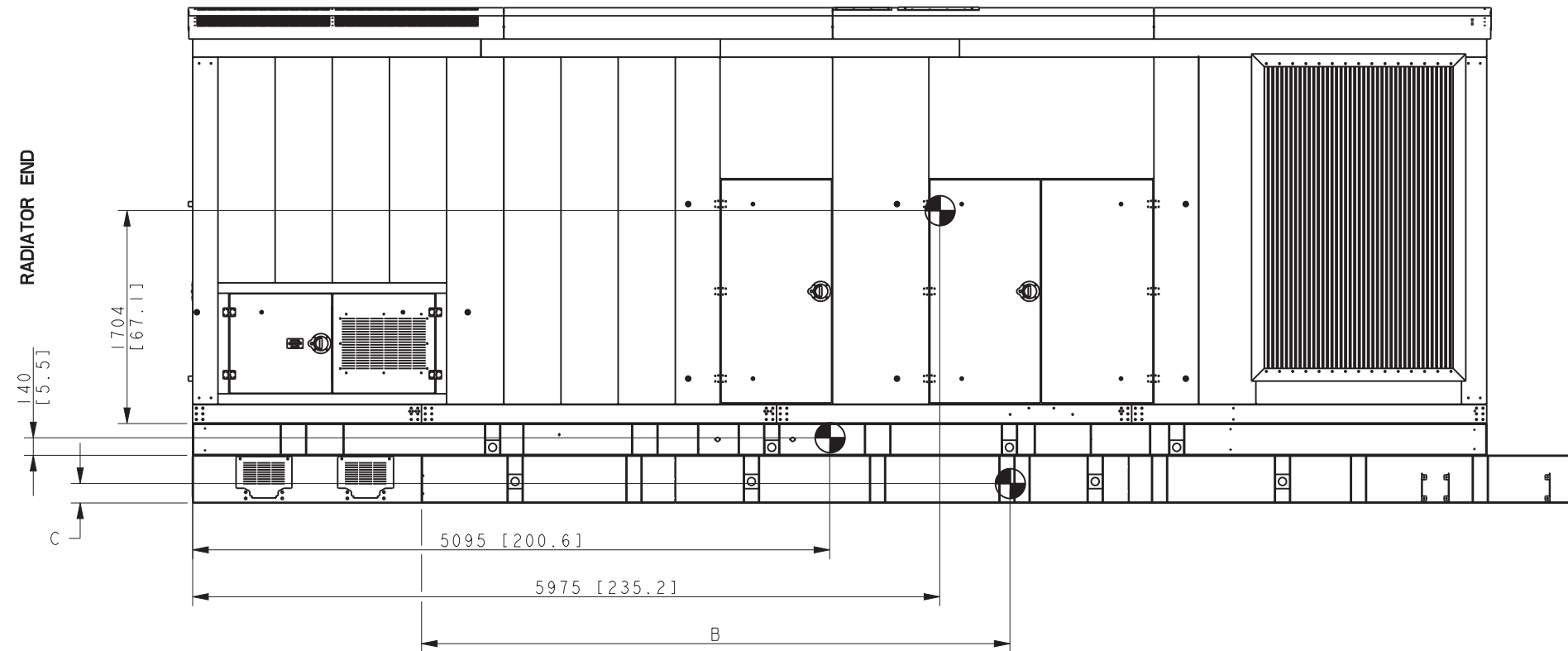
| | | |
|-----------|-----|-----------|
| APPROVALS | | DATE |
| DRAWN | ZJS | 16DEC2019 |
| CHECKED | KJB | 16DEC2019 |
| APPROVED | AJW | 16DEC2019 |

| | | | |
|-------------|----|--------------------------|--------------|
| TITLE | | DIMENSION PRINT | |
| DRAWING NO. | | KD1250-4 TIER4 ENCL/TANK | |
| SCALE | NA | CAD NO. | SHEET 2 of 3 |
| DWG NO. | | ADV-9167 | |

D

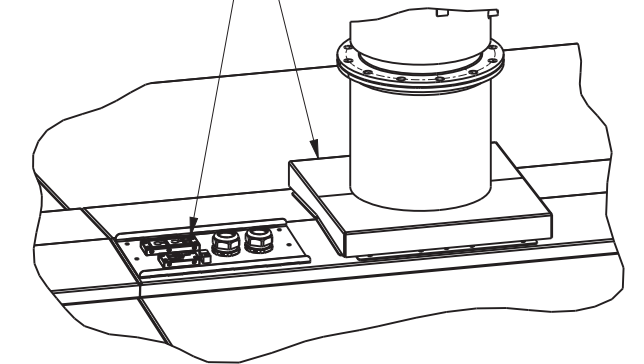


DETAIL A
SCALE 0.10



ALTERNATOR END

ROOF MOUNTED COMPONENTS ARE SHIPPED SEPERATELY AND SITE INSTALLED



SCALE 0.10

| SL2 CENTER OF GRAVITY (CG) INFORMATION | | |
|--|---------------------------------|-------------------------------|
| LITERS [GALLONS] | HORIZONTAL C.G. DIM B MM [INCH] | VERTICAL C.G. DIM C MM [INCH] |
| SL2 ENCLOSURE | SEE DIM | SEE DIM |
| SL2 LIFT BASE | SEE DIM | SEE DIM |
| 5863 [1549] | 4706 [185.3] | 155 [6.1] |
| 11204 [2960] | 4710 [185.4] | 426 [16.8] |

SL2 CENTER OF GRAVITY POINTS FOR ENCLOSURE, LIFT BASE, AND TANK VARIATIONS

| REV | DATE | ON COMPOSITE DWGS. SEE PART NO. FOR REVISION LEVEL | BY | DO NOT SCALE. REFERENCE THE MODEL FOR ALL UNSPECIFIED DIMENSIONS |
|-----|-----------|--|------|---|
| - | 16DEC2019 | NEW DRAWING [CT200119] | ZJS | UNLESS OTHERWISE SPECIFIED: ALL DIMENSIONS IN MILLIMETERS GENERAL TOLERANCES: N/A |
| A | 14APR2020 | SEE SHEET I [CT203358] | ZJS | KOHLER. KOHLER, WISCONSIN 53044 THIS DRAWING IN DESIGN AND DETAIL IS KOHLER CO. PROPERTY AND MUST NOT BE USED EXCEPT IN CONNECTION WITH KOHLER CO. WORK. ALL RIGHTS OF DESIGN OR INVENTION ARE RESERVED. TITLE DIMENSION PRINT KD1250-4 TIER4 ENCL/TANK SCALE: NA CAD NO. SHEET 3 of 3 DWG NO. ADV-9167 |
| B | 21OCT2020 | SEE SHEET I [CT207157] | CEK | |
| C | 27AUG2021 | SEE SHEET I [CT214298] | RVM | |
| D | 23JAN2023 | SEE SHEET I [CT224851] | APM | |
| | | | | THIRD ANGLE PROJECTION |
| | | APPROVALS | DATE | |
| | | DRAWN | ZJS | 16DEC2019 |
| | | CHECKED | KJB | 16DEC2019 |
| | | APPROVED | AJW | 16DEC2019 |