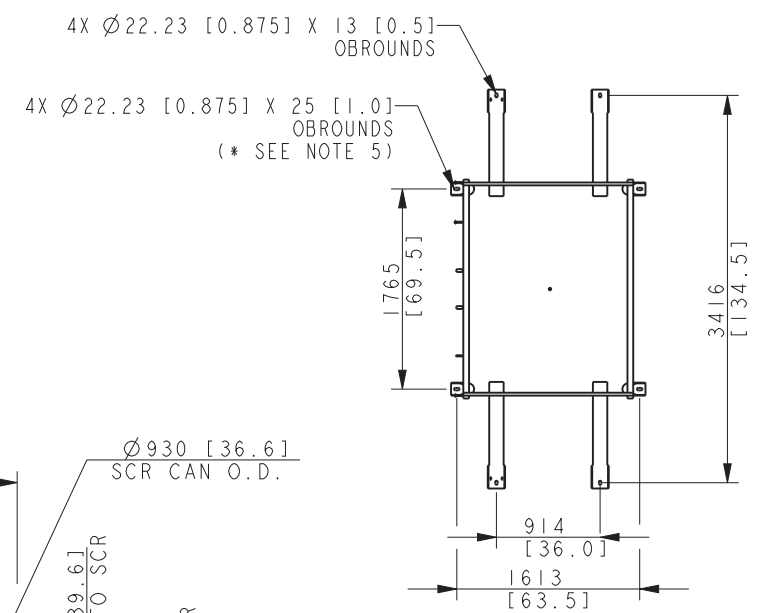
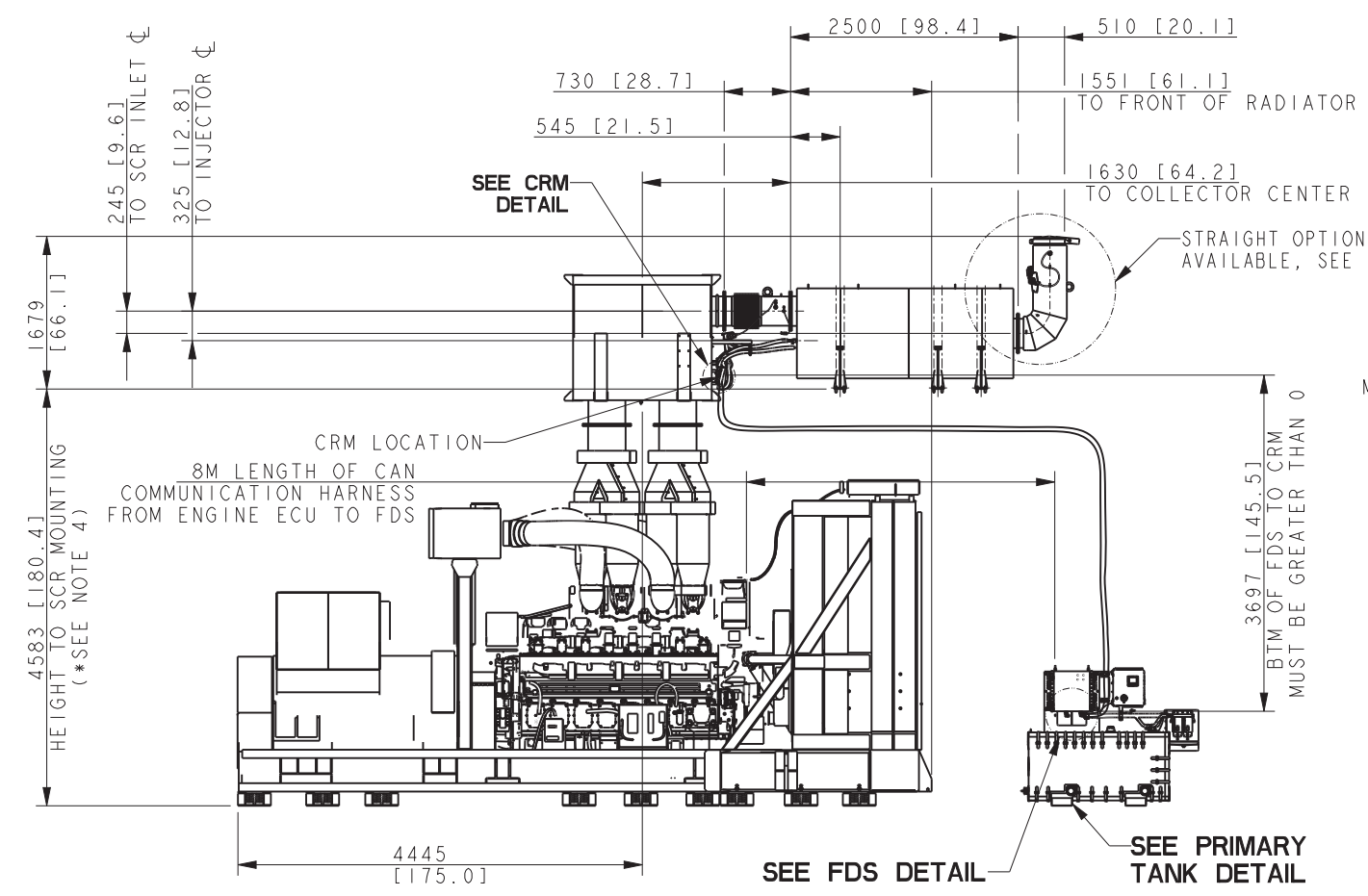


ACRONYM	FULL DESCRIPTION
DEF	DIESEL EXHAUST FLUID
SCR	SELECTIVE CATALYTIC REDUCTION
CRM	COMMON RAIL MANIFOLD
FDS	FLUID DOSING SYSTEM

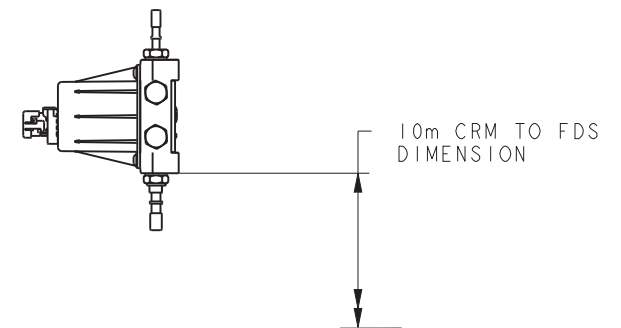
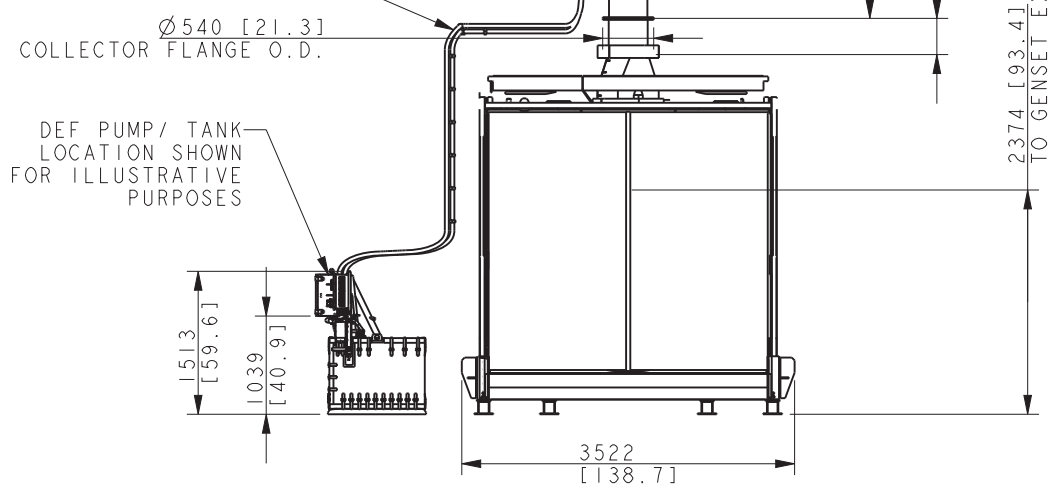


SCR MOUNTING DETAIL (3 PLACES)  
SCALE 0.08

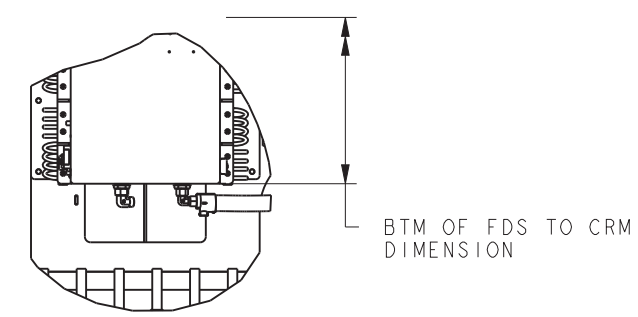
COLLECTOR MOUNTING DETAIL  
SCALE 0.03



DEF LINES ARE MADE OF EPDM WITH A BEND RADIUS OF 145MM AND LENGTH OF 10 METERS. MOUNTING HARDWARE IS PROVIDED.



CRM DETAIL  
SCALE 0.30



FDS DETAIL  
SCALE 0.10

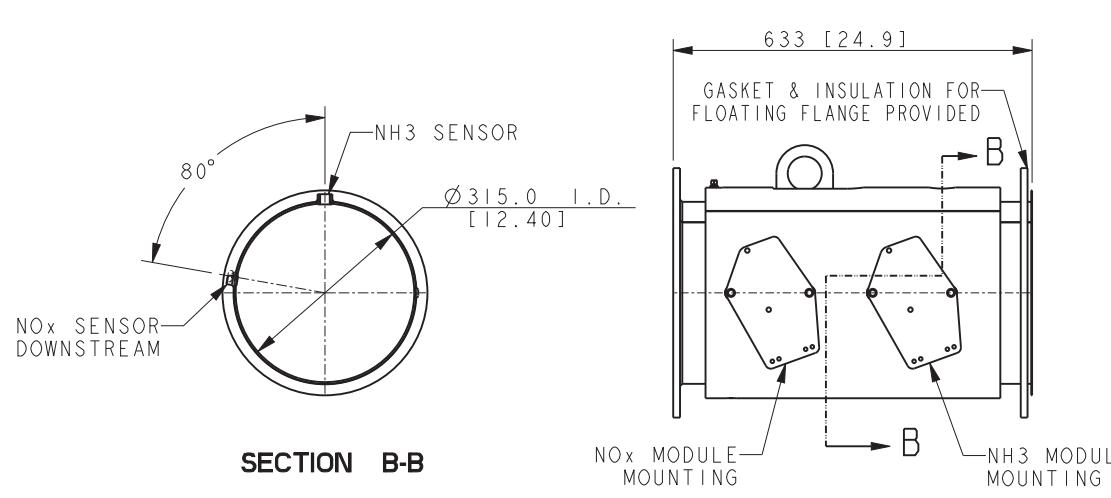
NOTES:

- SEE BASE GENERATOR ADV-8955 FOR MORE DIMENSIONAL INFORMATION.
- SEE TP-7186 FOR MORE INFORMATION ON AFTER TREATMENT SYSTEM.
- COLLECTOR MOUNTING MUST FULLY SUPPORT EXHAUST PIPING SUCH THAT NO WEIGHT IS ON TURBO ELBOWS.
- IT IS RECOMMENDED THAT THE STRUCTURE MANUFACTURING AND MOUNTING PAD CONSTRUCTION TOLERANCES BE SUBTRACTED FROM THIS DIMENSION AND THE SCR BE SHIMMED DURING INSTALLATION TO ALLOW PROPER ALIGNMENT OF THE SYSTEM COMPONENTS.
- 4X RECOMMENDED LIFT POINTS.
- AFTER TREATMENT SUPPORT IS NOT SUPPLIED BY KOHLER AND MUST BE SOURCED SEPARATELY.

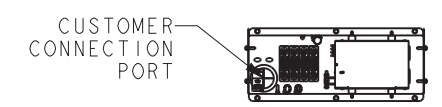
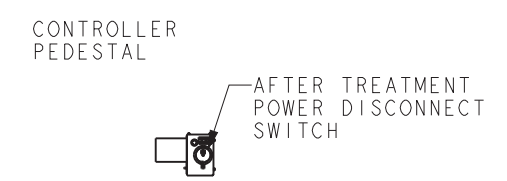
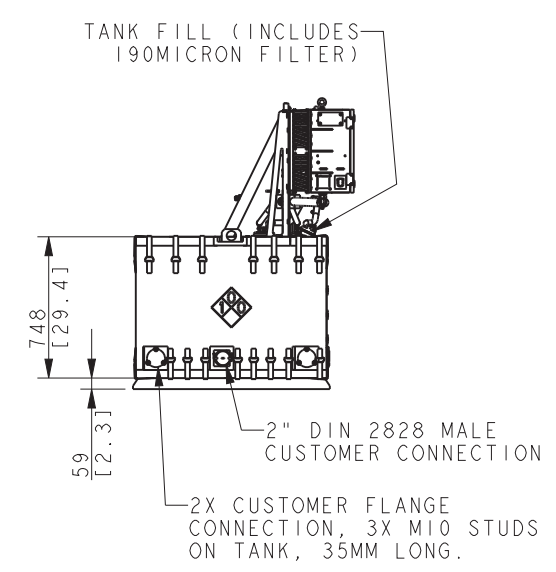
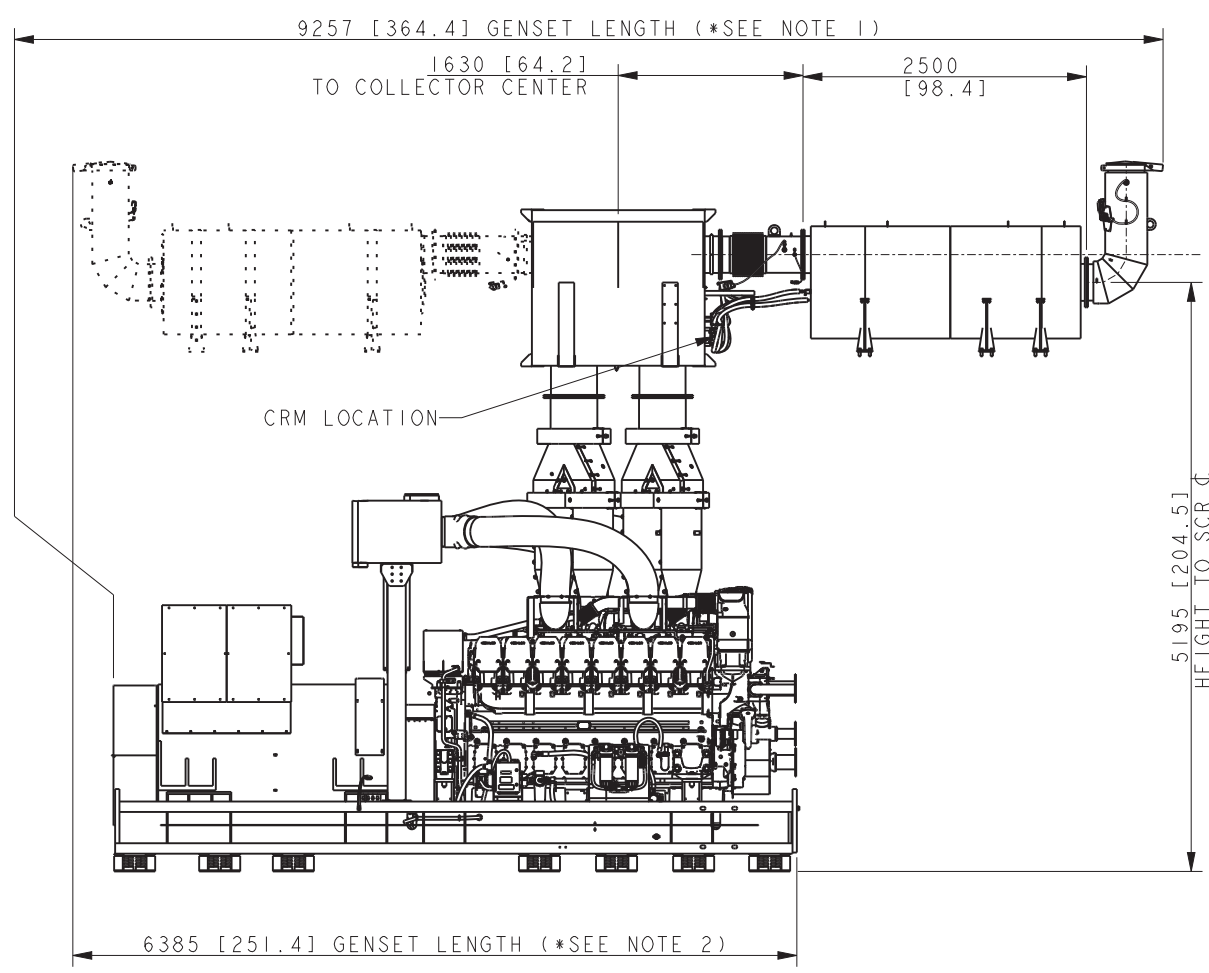
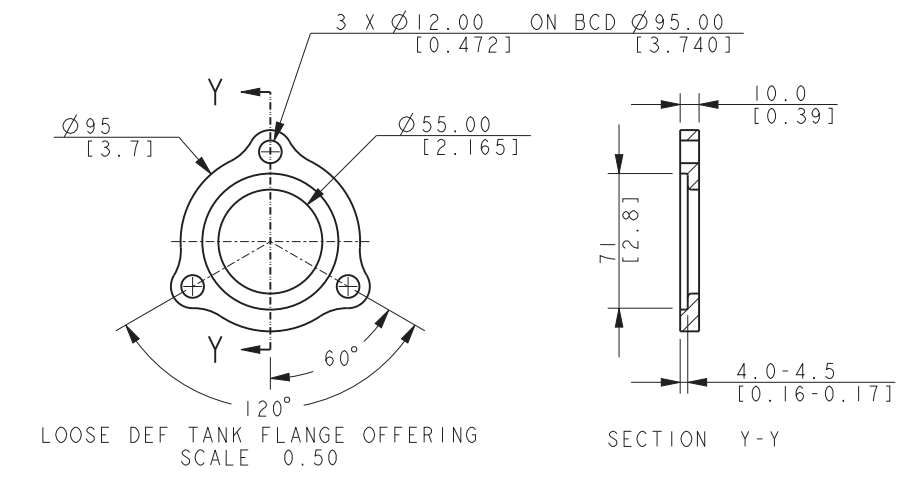
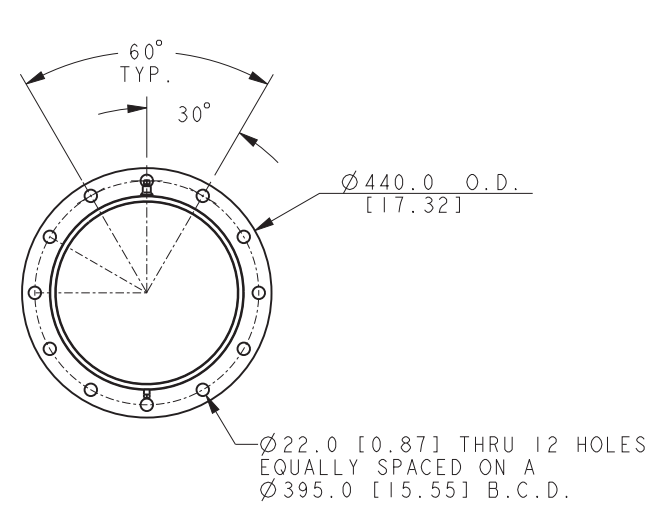
REV	DATE	ON COMPOSITE DWGS, SEE PART NO. FOR REVISION LEVEL	BY	DO NOT SCALE, REFERENCE THE MODEL FOR ALL UNSPECIFIED DIMENSIONS
-	3-12-19	NEW DRAWING [CT201248]	SLR	UNLESS OTHERWISE SPECIFIED: ALL DIMENSIONS IN MILLIMETERS GENERAL TOLERANCES: N/A
A	10OCT2020	(B-8) CAN HARNESS NOTE ADDED, (A-3) NOTE 2: TP-7186 WAS TP-7153 [CT207157]	CEK	<b>KOHLER</b> KOHLER, WISCONSIN 53044 THIS DRAWING IN DESIGN AND DETAIL IS KOHLER CO. PROPERTY AND MUST NOT BE USED EXCEPT IN CONNECTION WITH KOHLER CO. WORK. ALL RIGHTS OF DESIGN OR INVENTION ARE RESERVED. <b>TITLE</b> <b>DIMENSION PRINT, KD3250-4 (T4 CERTIFIED)</b> SCALE 0.03   CAD NO.   SHEET 1 of 3
B	2JAN2023	(A-3) NOTE 6 ADDED [CT224851]	APM	

KD3250-4  
TIER 4 CERTIFIED

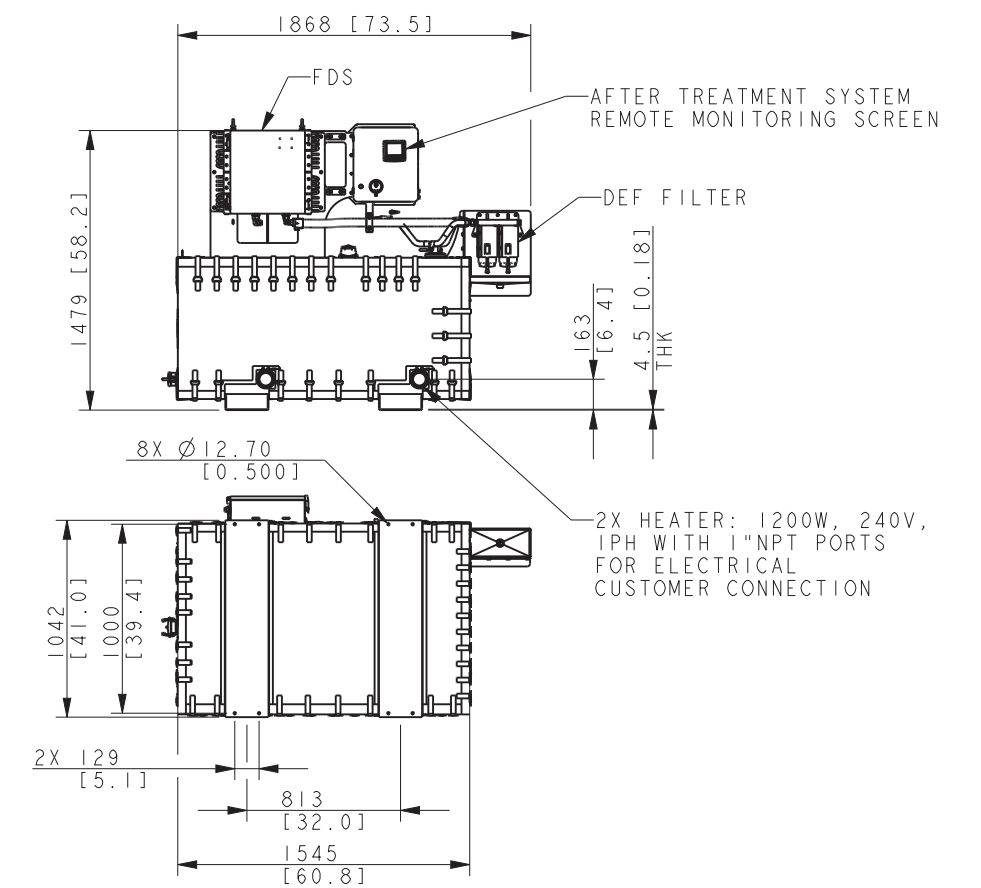
ADV-9125



STRAIGHT OUTLET OPTION  
SCALE 0.15



POWER SUPPLY VIEW  
(LEFT SIDE OF GENSET COVER REMOVED FOR CLARITY)  
SCALE 0.07



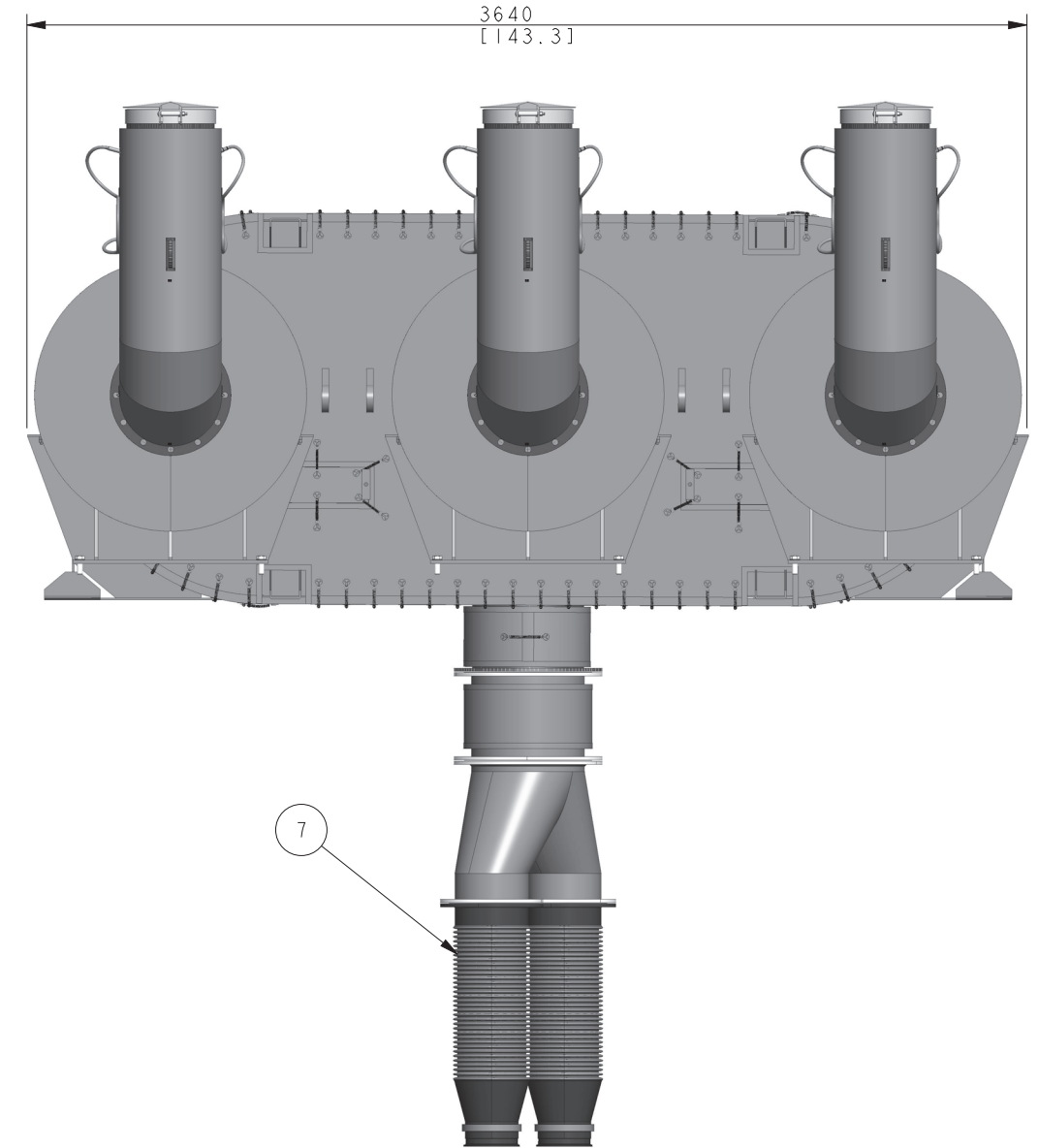
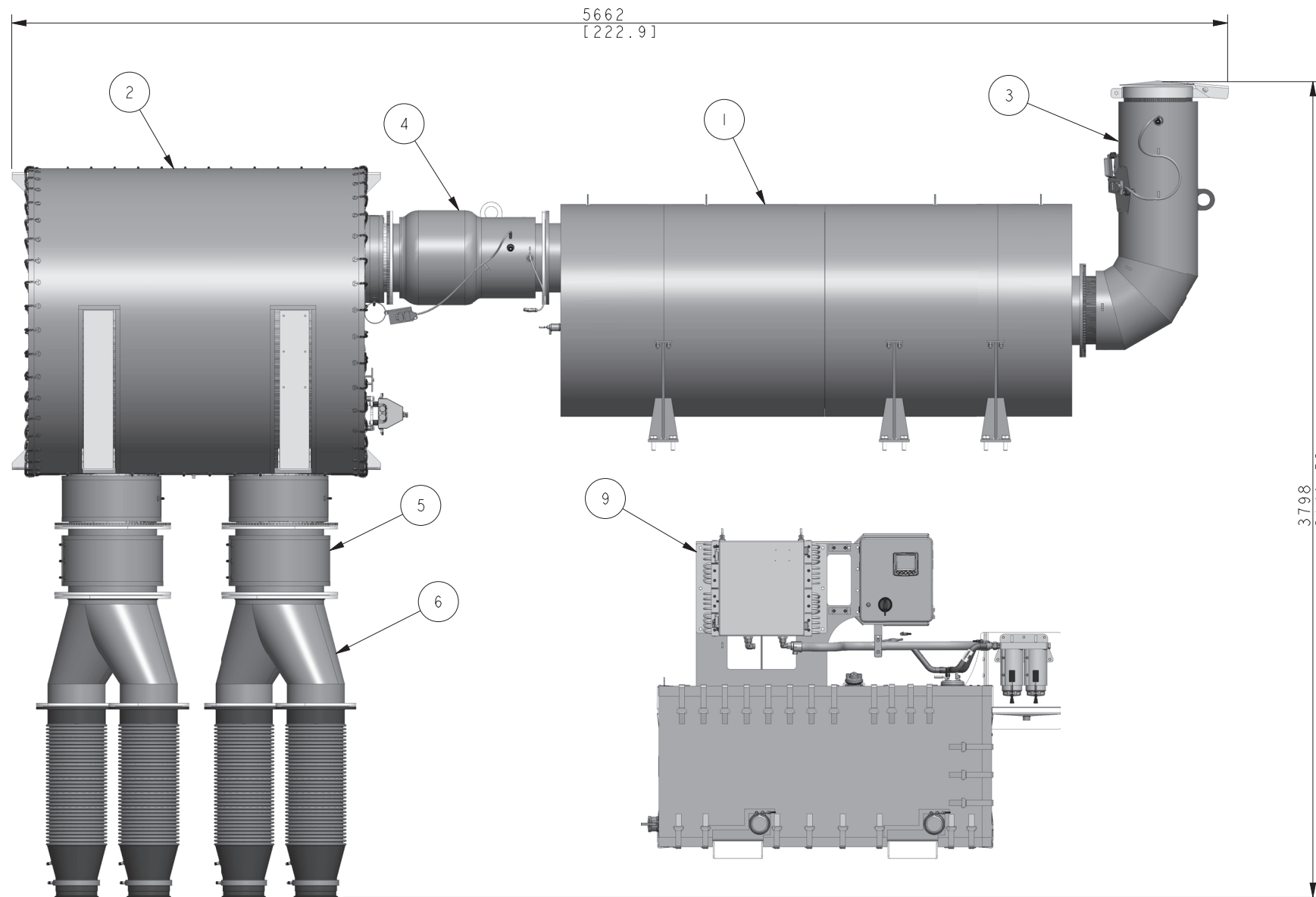
PRIMARY DEF TANK DETAIL  
SCALE 0.05

- NOTES:
1. GENSET LENGTH WITH SCR SYSTEM ON FORWARD FACING.
  2. GENSET LENGTH WITH SCR SYSTEM ON REARWARD FACING.
  3. SCR DOSING SYSTEM IS 24V DC PROVIDED BY THE GENERATOR.

KD3250-4  
TIER 4 CERTIFIED

REV	DATE	ON COMPOSITE DWGS, SEE PART NO. FOR REVISION LEVEL	BY	DO NOT SCALE, REFERENCE THE MODEL FOR ALL UNSPECIFIED DIMENSIONS										
-	3-12-19	NEW DRAWING [CT201248]	SLR	UNLESS OTHERWISE SPECIFIED: ALL DIMENSIONS IN MILLIMETERS GENERAL TOLERANCES: N/A										
A	10OCT2020	(B-4) POWER SUPPLY VIEW ADDED, (D-2) DEF TANK FLANGE VIEW UPDATED [CT207157]	CEK	<b>KOHLER</b> KOHLER, WISCONSIN 53044 THIS DRAWING IN DESIGN AND DETAIL IS KOHLER CO. PROPERTY AND MUST NOT BE USED EXCEPT IN CONNECTION WITH KOHLER CO. WORK. ALL RIGHTS OF DESIGN OR INVENTION ARE RESERVED. <b>TITLE</b> <b>DIMENSION PRINT,</b> <b>KD3250-4 (T4 CERTIFIED)</b> SCALE 0.03   CAD NO.   SHEET 2 of 3 DWG NO. ADV-9125										
B	24JAN2023	SEE SHEET 1 [CT224851]	APM											
<table border="1"> <thead> <tr> <th colspan="2">THIRD ANGLE PROJECTION</th> </tr> <tr> <th>APPROVALS</th> <th>DATE</th> </tr> </thead> <tbody> <tr> <td>DRAWN SLR</td> <td>3-12-19</td> </tr> <tr> <td>CHECKED DJV</td> <td>3-12-19</td> </tr> <tr> <td>APPROVED BMK</td> <td>3-12-19</td> </tr> </tbody> </table>					THIRD ANGLE PROJECTION		APPROVALS	DATE	DRAWN SLR	3-12-19	CHECKED DJV	3-12-19	APPROVED BMK	3-12-19
THIRD ANGLE PROJECTION														
APPROVALS	DATE													
DRAWN SLR	3-12-19													
CHECKED DJV	3-12-19													
APPROVED BMK	3-12-19													

ITEM NO	PART NUMBER	DESCRIPTION	MASS [Kg]	QTY	SUBTOTAL OF MASS [Kg]	NOTES
1	10901011701	SCR	550	3	1650	
2	10901016301	COLLECTOR, EXHAUST, K175V16	1650	1	1650	
3	10901015800	TUBE, OUTLET SCR (DOWNSTREAM)	43	3	130	
4	10901017301	TUBE, INLET SCR, K175	36	3	107	
5	10901017201	PIPE, EXHAUST	30	2	60	
6	10901016701	PIPE, EXHAUST	39	2	78	
7	10901017401	TUBE, FLEX EXHAUST	19	4	77	
8	-	INSULATION, PIPING	209	1	209	
<b>GRAND TOTAL MASS [Kg]</b>					<b>3959</b>	



DEF TANK (ITEM 9)		
DESCRIPTION	MASS [Kg]	NOTES
DRY TANK	420.6	WITH ALL ACCESSORIES
WET TANK	1375.6	WITH ALL ACCESSORIES

**KD3250-4  
TIER 4 CERTIFIED**

REV	DATE	ON COMPOSITE DWGS. SEE PART NO. FOR REVISION LEVEL	BY	DO NOT SCALE. REFERENCE THE MODEL FOR ALL UNSPECIFIED DIMENSIONS
-	1-27-20	NEW DRAWING [CT201248]	SLR	UNLESS OTHERWISE SPECIFIED: ALL DIMENSIONS IN MILLIMETERS GENERAL TOLERANCES: N/A
A	10OCT2020	SEE SHEET 1 & 2 [CT207157]	CEK	
B	24JAN2023	SEE SHEET 1 [CT224851]	APM	
				<small>THIRD ANGLE PROJECTION</small> 
		APPROVALS	DATE	<b>KOHLER.</b> <small>KOHLER, WISCONSIN 53044</small> THIS DRAWING IN DESIGN AND DETAIL IS KOHLER CO. PROPERTY AND MUST NOT BE USED EXCEPT IN CONNECTION WITH KOHLER CO. WORK. ALL RIGHTS OF DESIGN OR INVENTION ARE RESERVED. <b>TITLE</b> <b>DIMENSION PRINT,</b> <b>KD3250-4 (T4 CERTIFIED)</b> <small>SCALE 0.08 CAD NO.</small> <span style="float:right">SHEET 3 of 3</span>
		DRAWN	SLR 1-27-20	
		CHECKED	DJV 1-27-20	
		APPROVED	BMK 1-27-20	
			<b>ADV-9125</b>	<b>D</b>